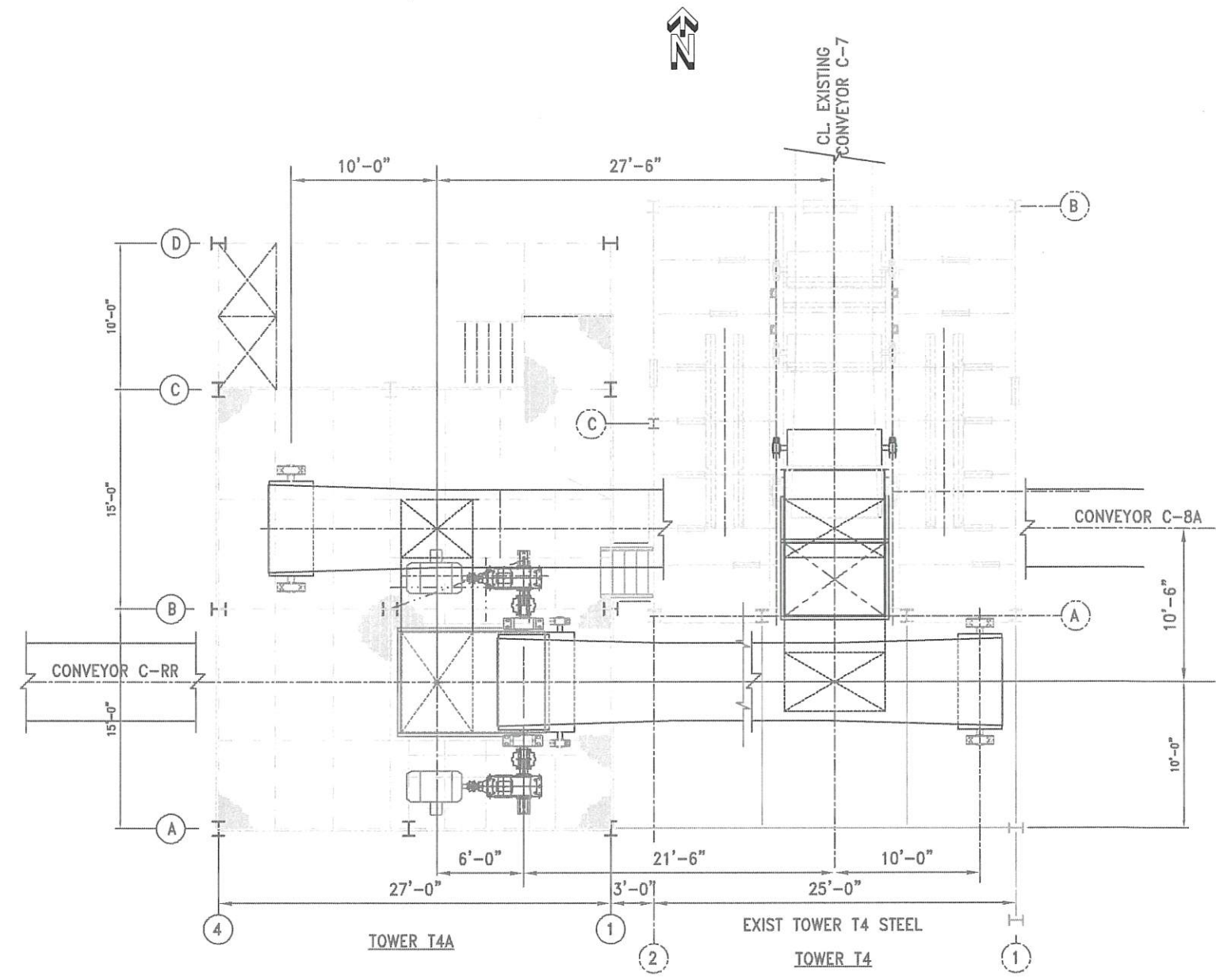


CONVEYOR C-7 DISCHARGE
TO C-8A & C-RR - WEST ELEVATION



TRANSFER TOWER T-4 - PLAN

REV.	DESCRIPTION	DATE	BY	CHK'D	REV.	DESCRIPTION	DATE	BY	CHK'D

ALABAMA STATE
PORT AUTHORITY



McDUFFIE TERMINAL - MOBILE, ALABAMA

TITLE
CONVEYOR C-7 DISCHARGE
PLAN & SECTION

SCALE	NOTED	DRAWN BY	DATE	SHEET	REV.
JOB NO.	CHECKED BY	DATE		DRAWING NUMBER	
				C7-1	

