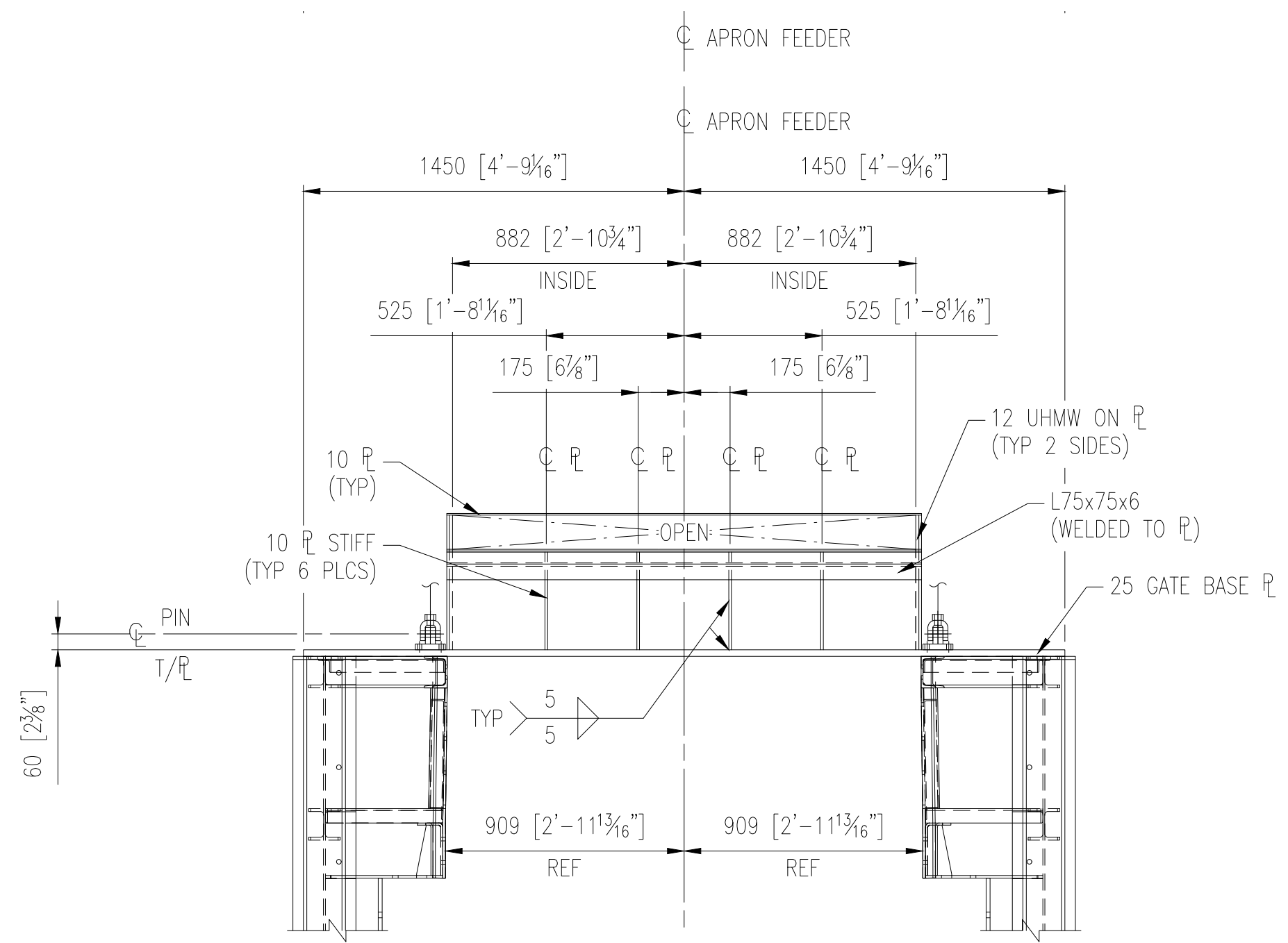
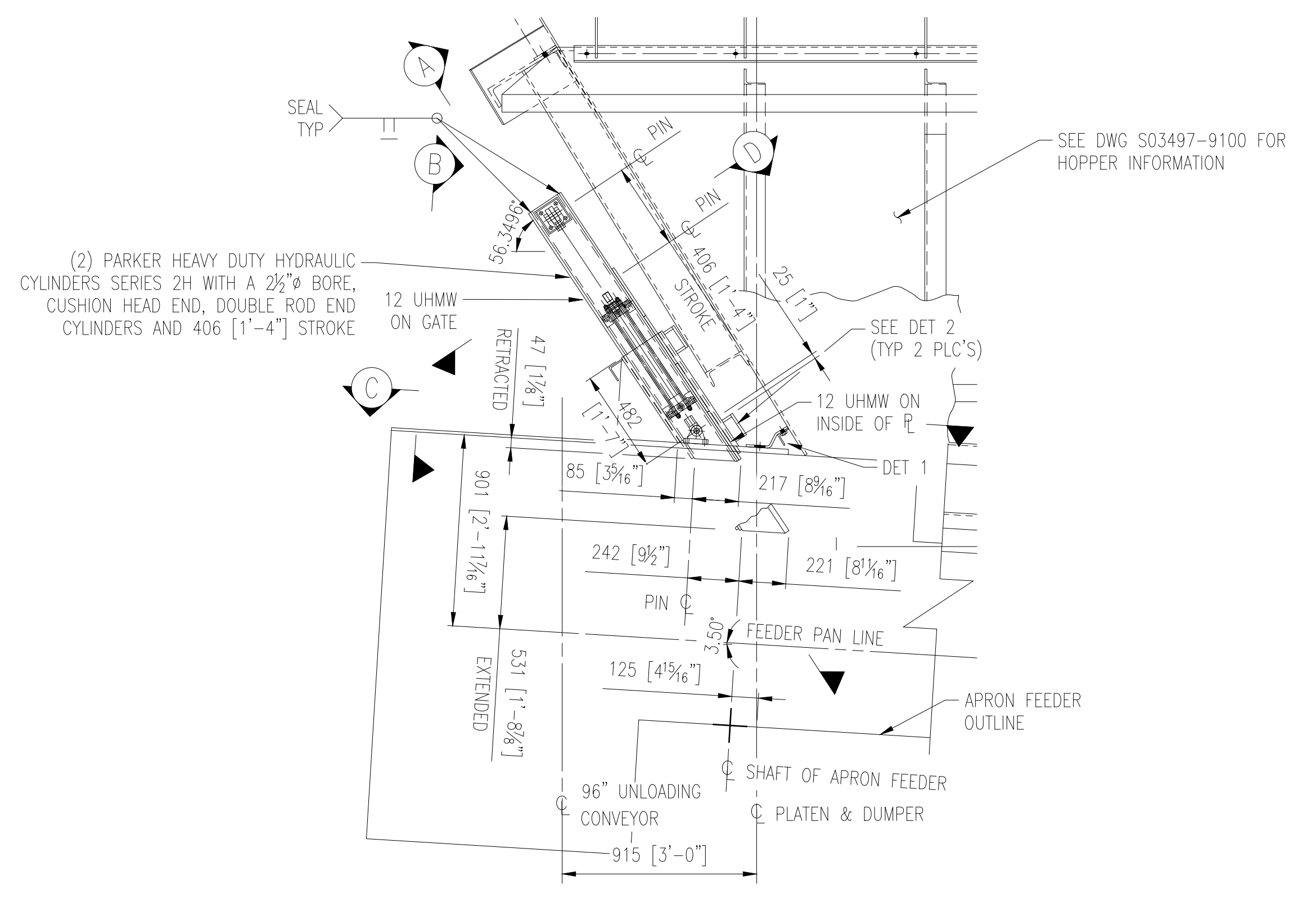


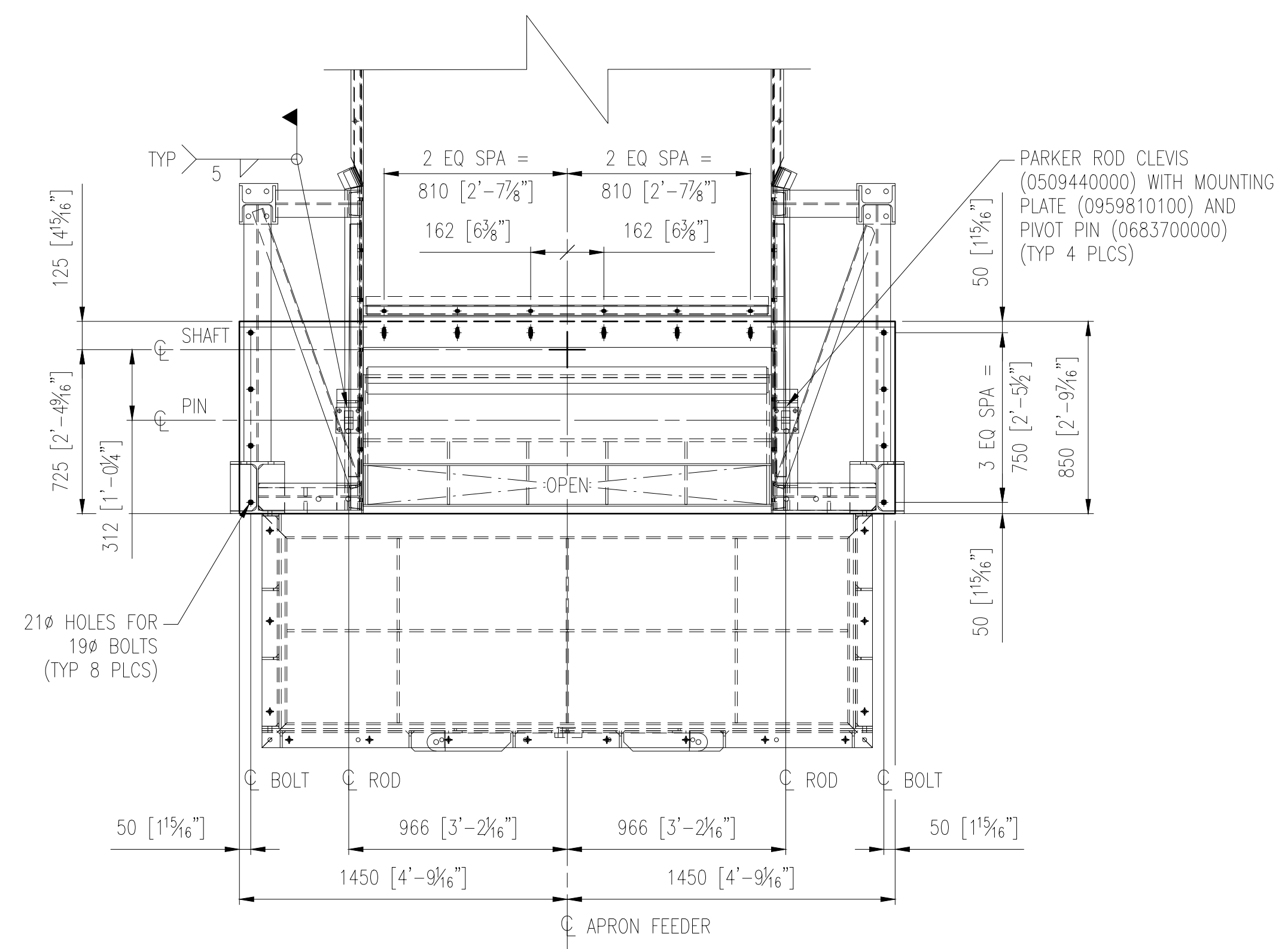
VIEW (A)



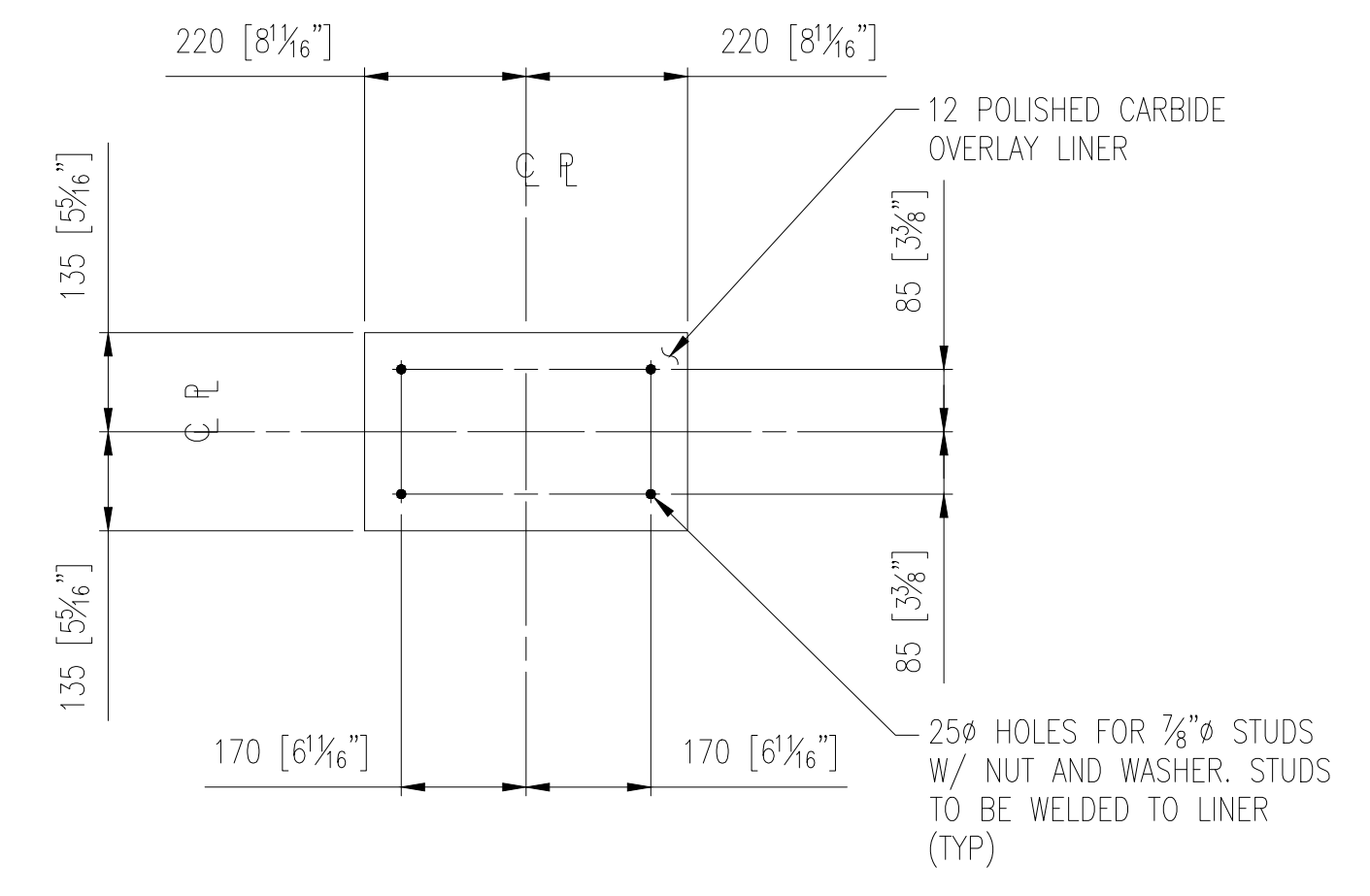
SECTION (B)



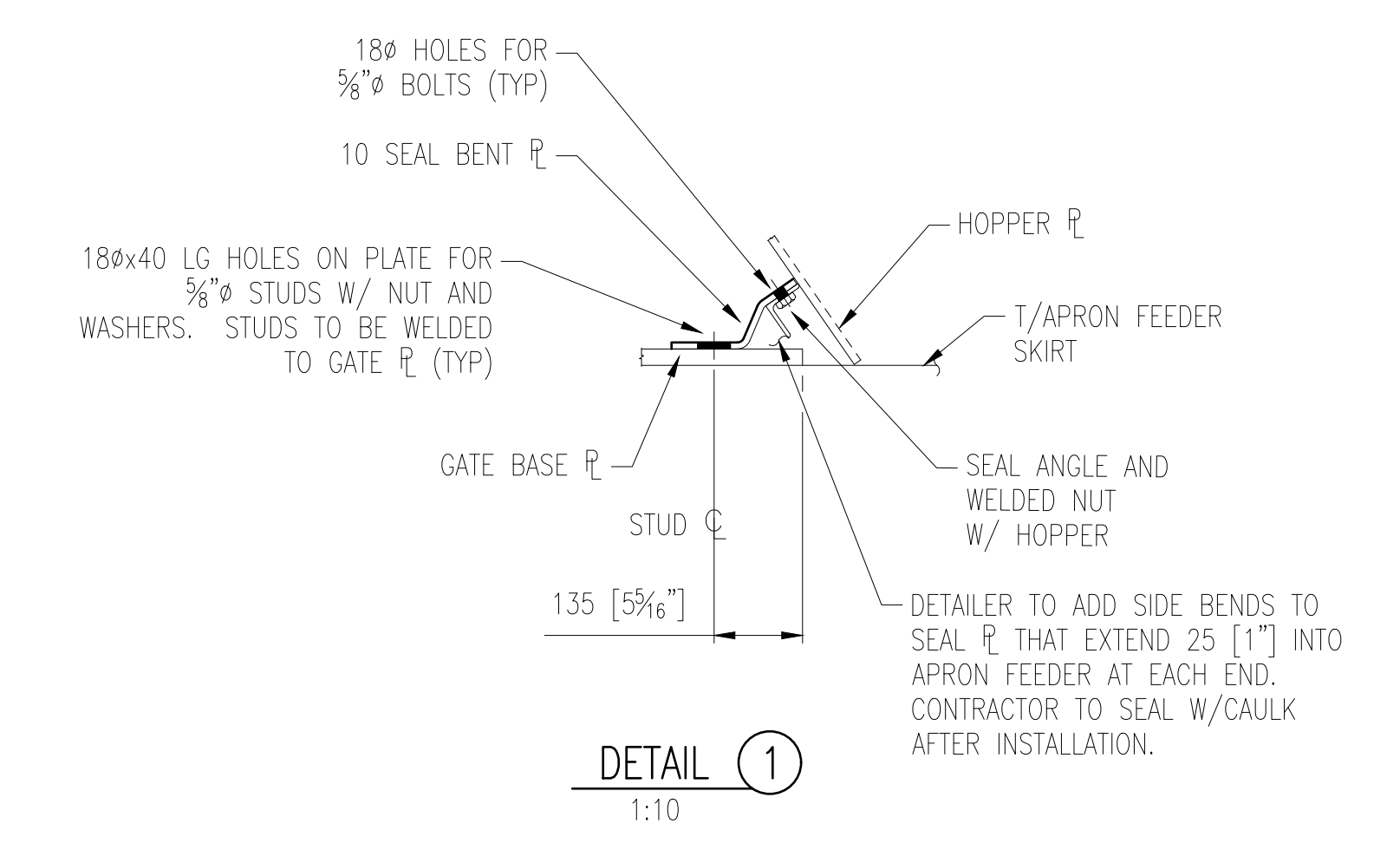
ELEVATION LOOKING NORTH



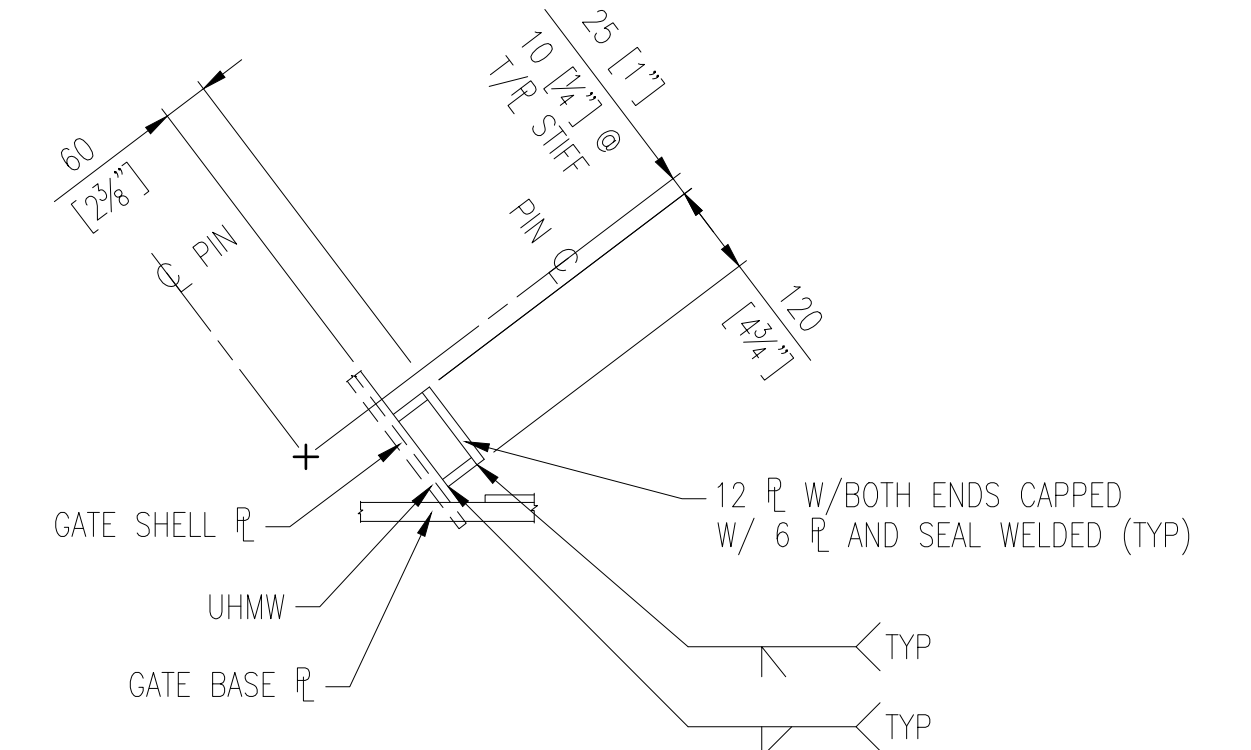
SECTION (C)



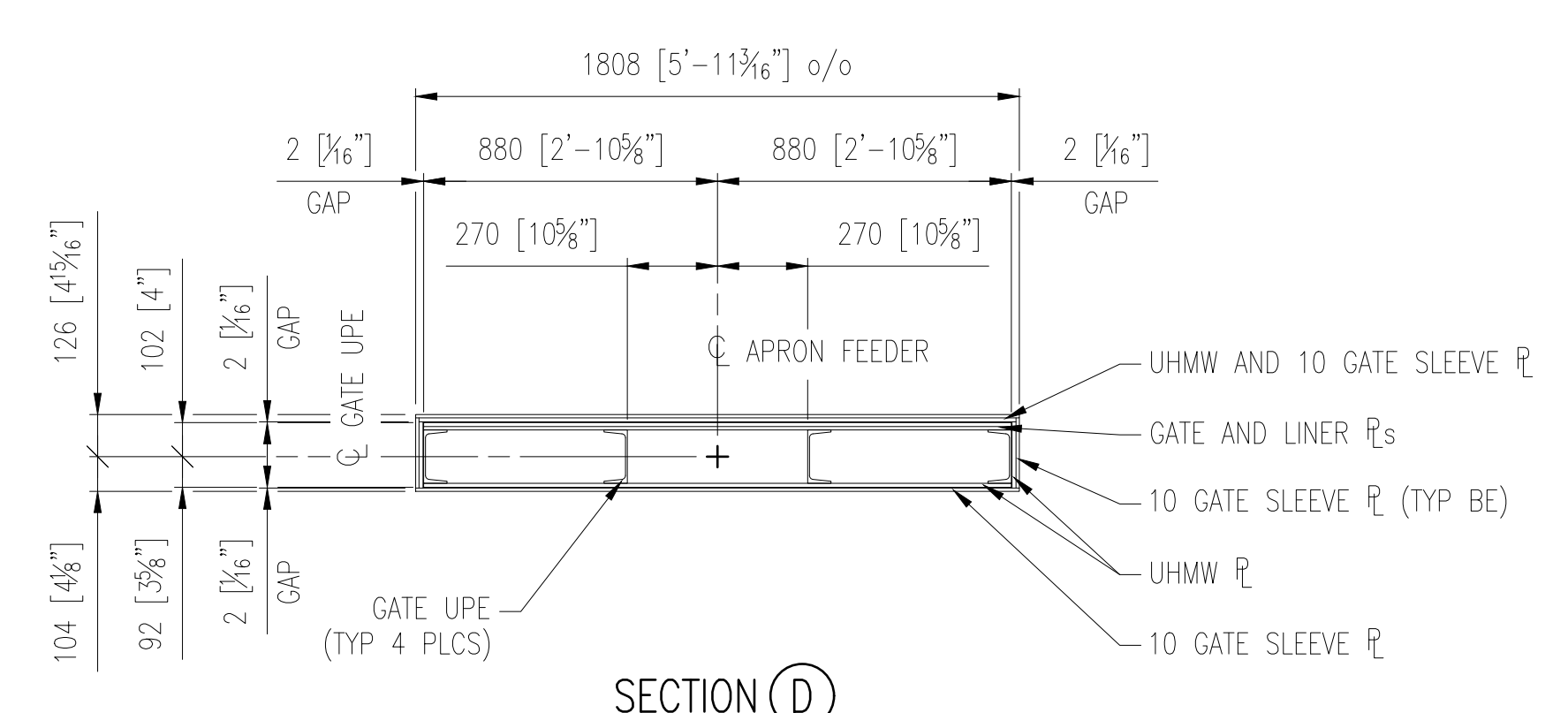
LINER DETAIL



DETAIL 1



DETAIL (2)



SECTION (D)

RELEASED FOR CONSTRUCTION
DATE: 06/14/21

BMW JOB NO. 20-7673

NOTES:

- SEE DRAWING S03497-9009 FOR 12 UHMW LINER CONNECTION DETAILS.
- TOTAL MATERIAL DEPTH GATE PLATE SELF-WEIGHT IS 4.00 KIPS.
- TOTAL MATERIAL SHEAR FORCE IS 13.00 KIPS.
- CONTRACTOR TO INSTALL APRON FEEDER COVER (AA-57002003-03) AFTER MATERIAL DEPTH GATE HAS BEEN INSTALLED. APRON FEEDER COVER MAY NEED TO BE FIELD ADJUSTED TO AVOID INTERFERENCE WITH FINAL HOPPER LOCATION.

BEDESCHI s.p.a.
1908
Via Prainboale, 38 - 35010 LIMENA Padova ITALY
Tel. +39-049.7663100 - Fax +39-049.8848006
E-Mail: Sales@bedeschi.it - Skype: bedeschispa@skype

Richmond Engineering Works LLC
Pittsburgh, PA 15205

Rev	Description	Date	Made	Chk'd	App'd
0	ISSUED FOR CONSTRUCTION	06/14/21	FEC	SP	SP
A	PROGRESS PRINT	05/18/21	FEC	-	-

Drawn By:	Checked:	Approved:	Scale:
FEC	SP	-	-
Date: 02/22/21	Date: 06/14/21	Date:	

THIS DRAWING CONTAINS PROPRIETARY INFORMATION THAT IS SOLELY THE PROPERTY OF RICHMOND ENGINEERING WORKS, L.L.C. IT MAY NOT BE COPIED OR DISTRIBUTED IN WHOLE OR IN PART WITHOUT THE EXPRESS WRITTEN CONSENT OF RICHMOND ENGINEERING WORKS.

MATERIAL DEPTH GATE PLAN, SECTIONS AND DETAILS
ALABAMA STATE PORT AUTHORITY
McDUFFIE ISLAND TERMINAL
MOBILE, AL
S03497-9104 Rev 0