

1AB	2AB	3AB	4AH	5AN	6ANa	6ANb
LC-401	LC-401	LC-401				
1CD	2CE	3CD				
EC-401		BW-413				
1EF	BY-404	3EF				
ED401	2FH	BW-414		SPACE		GJ-403
IGH		3GN				
ED-401	BY-404		D-463			
1IJ	2IN		4IJ			
BW-417			BW-404			
IKL			4KN			
BW414						
IMN						
EC-401	FF-404	E-453	CA-418			

M.C.C. CABINET

DAVID MCKERT & ASSOCIATES

Recommended for Approval	52
Approved As Submitted	
Approved Except As Noted	Cole
Revise and Resubmit	Date:
Disapproved	9-2-82

APPROVAL IS TO GENERAL LAYOUT ONLY. APPROVED CONTRACTOR SHALL VERIFY ALL DIMENSIONS, QUANTITIES AND JOB CONDITIONS.

* ADD SPACE HEATER TO POSITIONER MOTOR SEE REVISION NOTE 3

SEE DWG 7102 FOR LEGEND

6440-3-7101

HEYL & PATTERSON, INC.
CONTRACTING ENGINEERS
PITTSBURGH, U.S.A.
BUCKET ELEVATOR BARGE

UNL DATED

SINGLE LINE DIAGRAM
FOR INDUSTRIAL DEVELOPMENT BOARD
OF THE CITY OF MOBILE, ALABAMA
(ALABAMA STATE DOCKS DEPT. PROJECT)

REV #	DATE	NAME	DESCRIPTION
5-3-82	HZ		ADDED POSITIONER PUMP REMOVED SPACE HEATER
1-2-82	HZ		REMOVED OP CAB FOR
12-17-81	HZ		ADDED MCC.

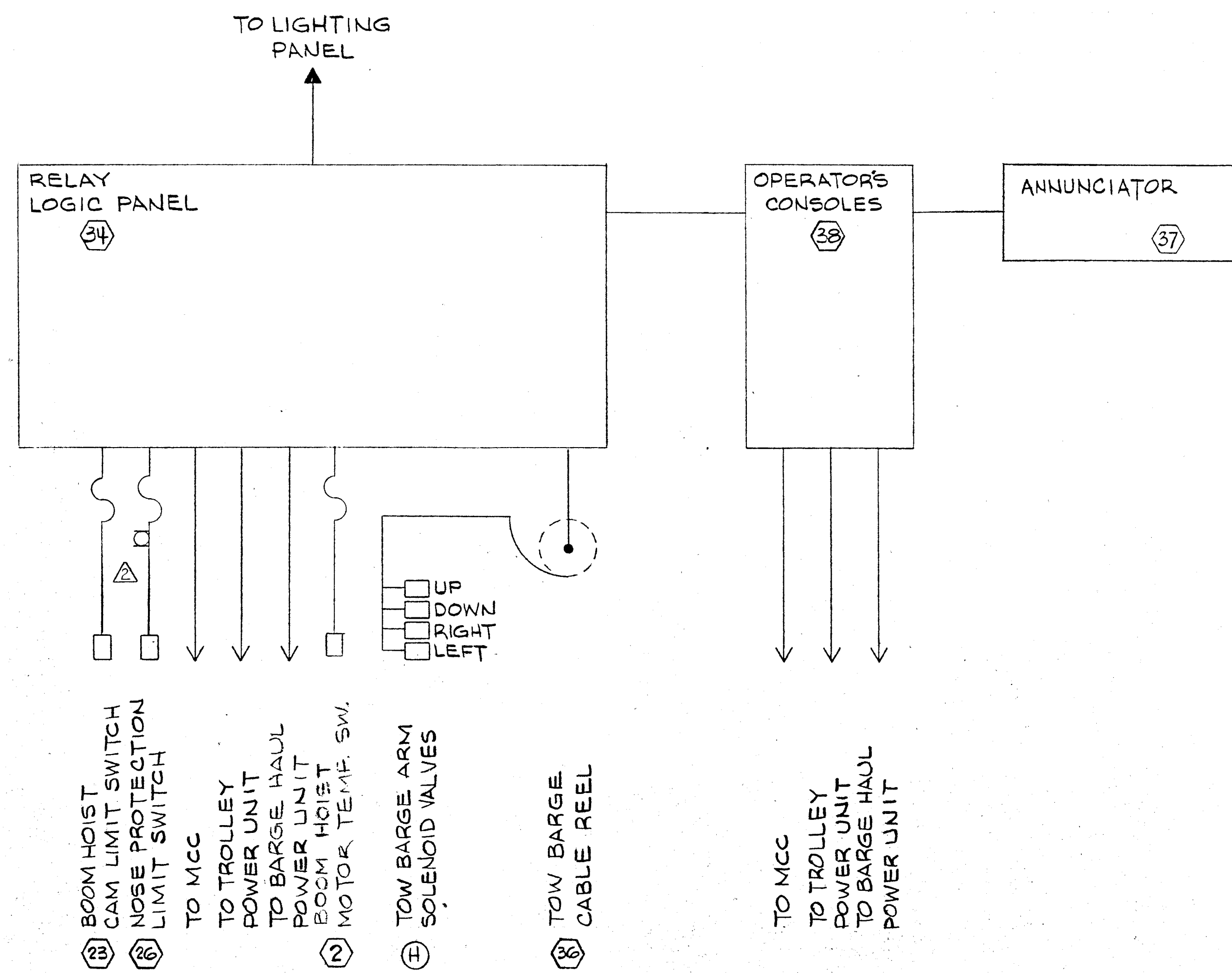
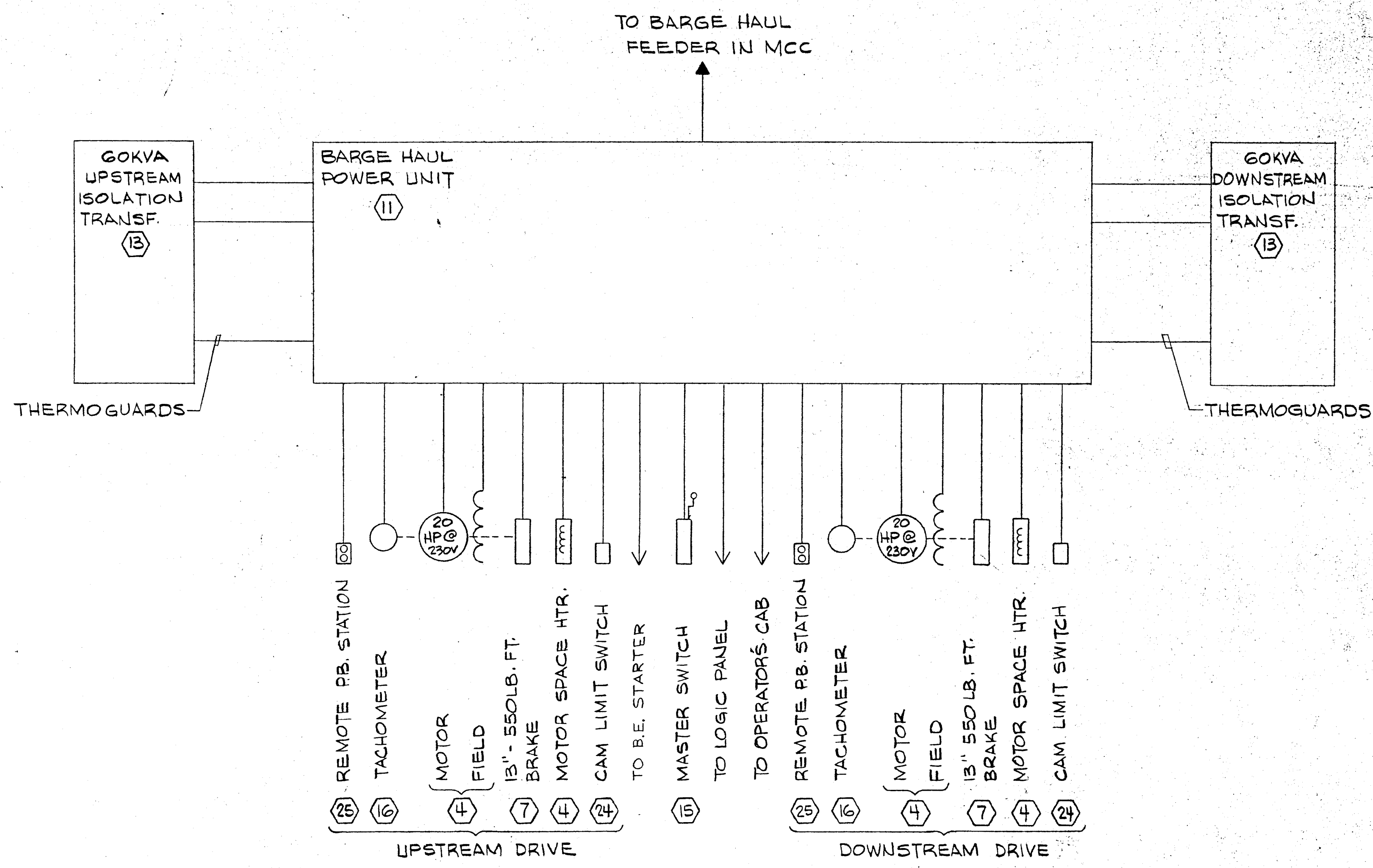
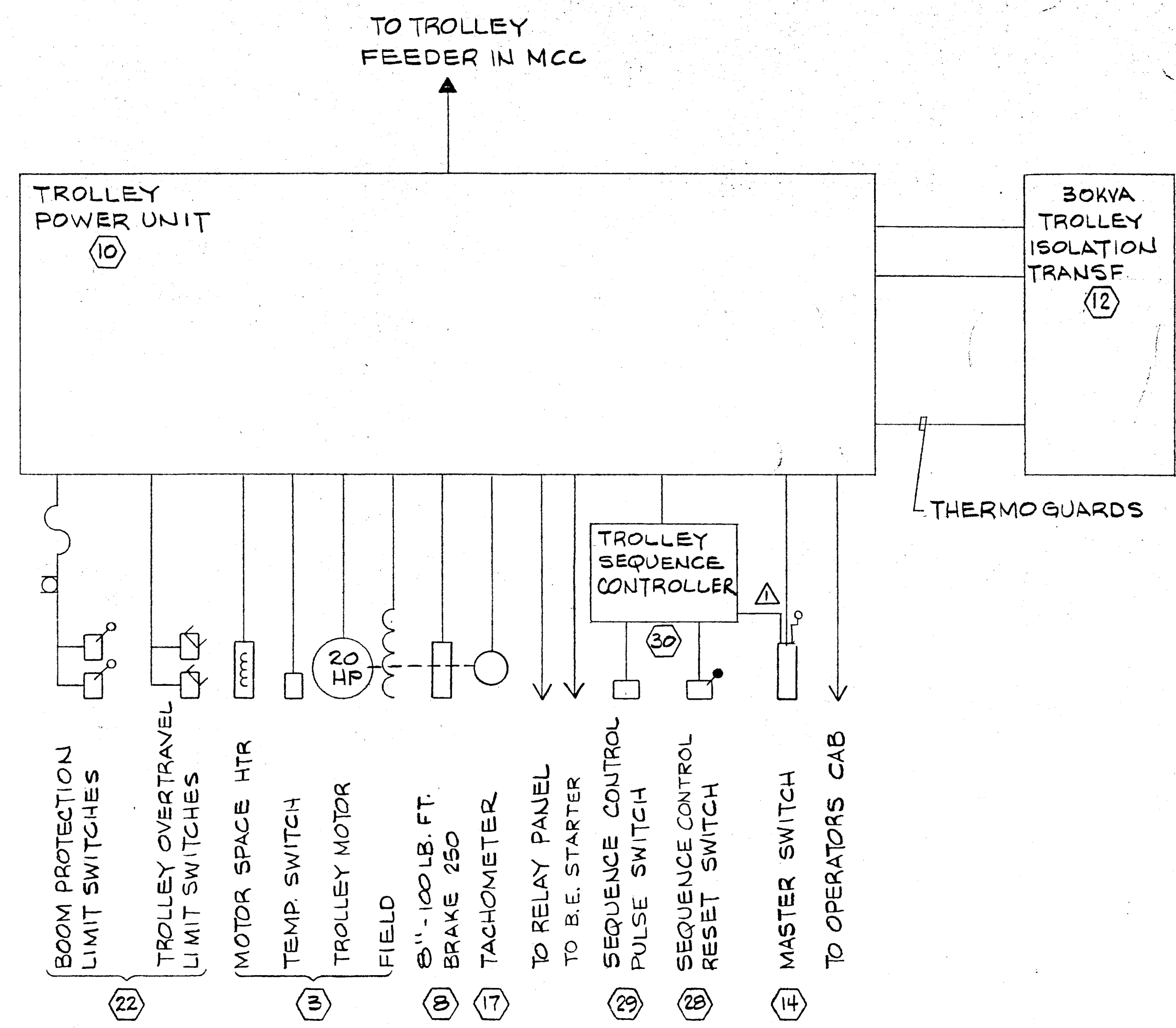
THIS DRAWING IS THE PROPERTY OF HEYL & PATTERSON, INC. AND FURNISHED IN CONFIDENCE FOR TEMPORARY USE AND TO BE RETURNED THEREAFTER IF REQUESTED. NOT TO BE COPIED OR DISCLOSED TO OTHERS WITHOUT THE EXPRESS CONSENT OF HEYL & PATTERSON, INC.

DIVISION: 71 SCALE: 1/8" = 1'-0"

CHECKED: JAW DATE: 10-21-82

APPROVED: [Signature] DATE: 12-2-82

JUL 23 1982



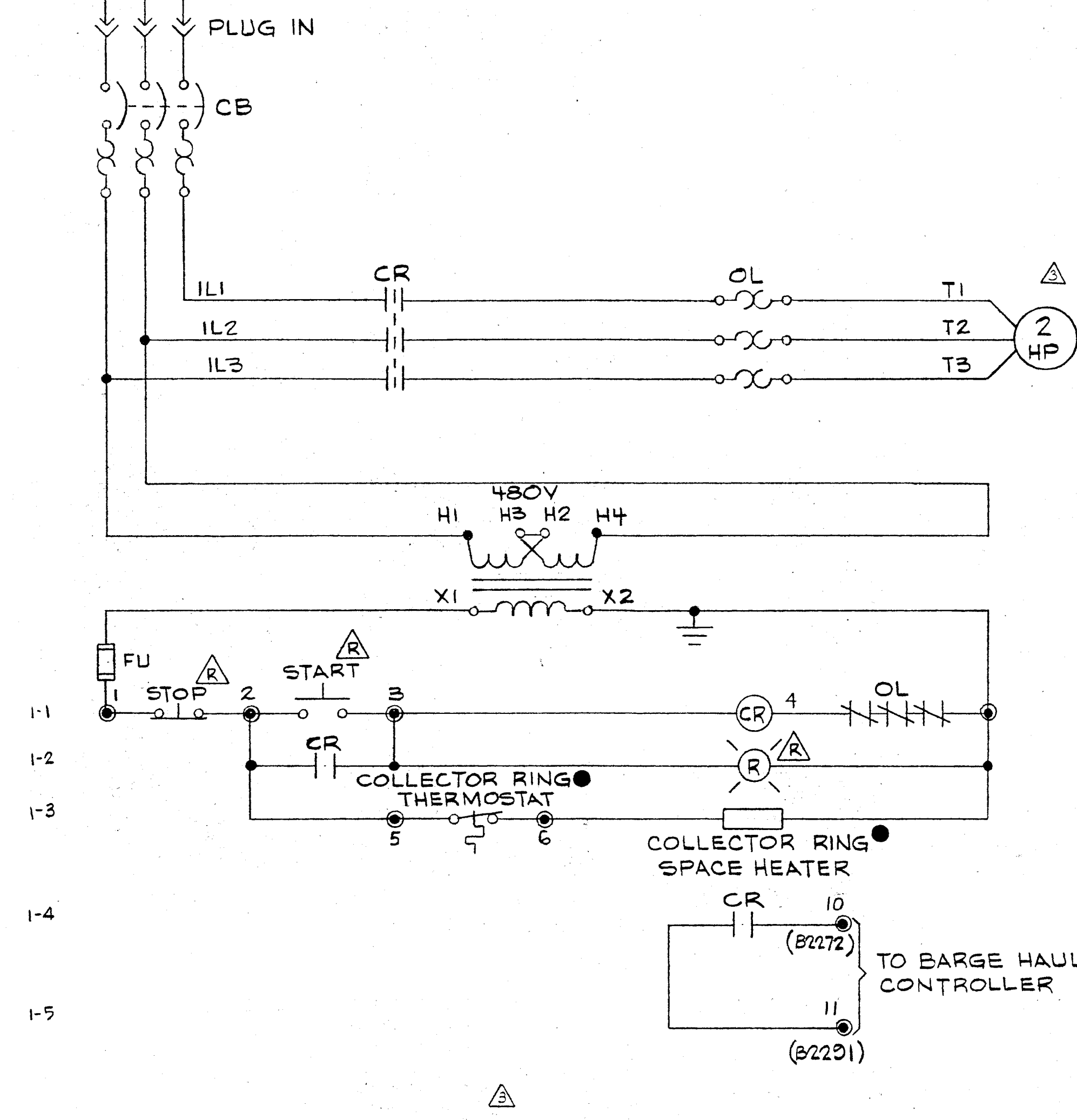
- LEGEND**
- - BILL OF MATERIAL NUMBER
 - ⊕ - PART OF HYDRAULIC UNIT
 - △ - FESTOON SYSTEM
 - ⊔ - CABLE LOOP TO BOOM

DAVID VOJKERT & ASSOCIATES
 Recommended for Approval: _____
 Approved As Submitted: _____ By: COLE
 Approved Except As Noted: _____ Date: 9-2-82
 Revise and Resubmit: _____
 Disapproved: _____

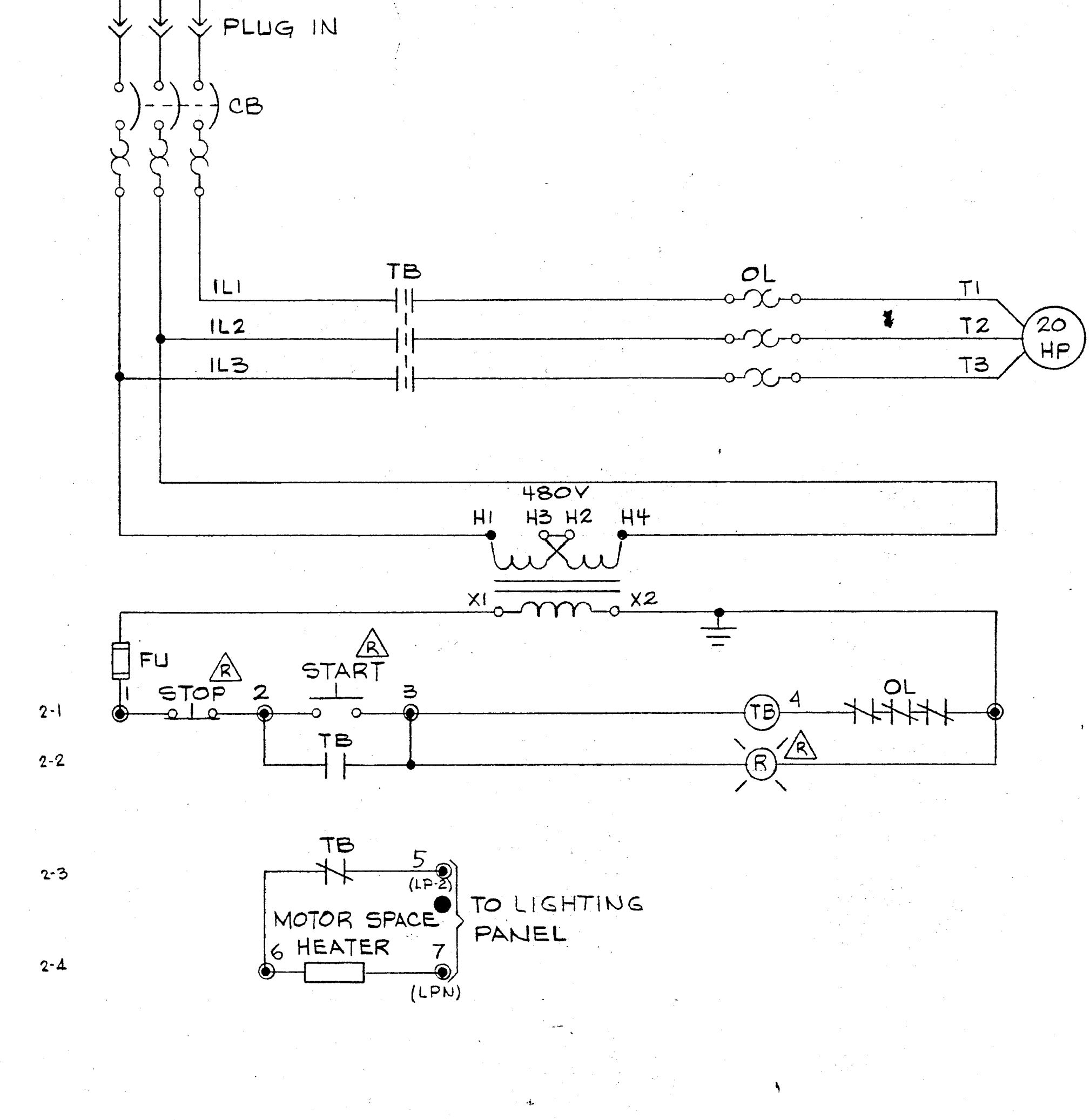
APPROVAL IS TO GENERAL LAYOUT ONLY, AND IN NO WAY RELIEVES THE CONTRACTOR OR SUPPLIER OF HIS RESPONSIBILITY FOR THE ACCURACY OF THE DRAWINGS, DETAILS OR WORK COVERED. CONTRACTOR SHALL VERIFY ALL DIMENSIONS, QUANTITIES AND JOB CONDITIONS.

6440-3-7102	
HEYL & PATTERSON, INC. CONTRACTING ENGINEERS PITTSBURGH, U.S.A.	
BUCKET ELEVATOR BARGE UNLOADER	
SINGLE LINE DIAGRAM	
FOR INDUSTRIAL DEVELOPMENT BOARD OF THE CITY OF MOBILE, ALABAMA (ALABAMA STATE DOCKS DEPARTMENT PROJECT)	
5-3-82 TD	ADDED SYMBOLS TO LEGEND
1/12-82 MZ	REVISED MS. CIRCUIT
REV #	DATE NAME DESCRIPTION
THIS DRAWING IS THE PROPERTY OF HEYL & PATTERSON, INC., AND FURNISHED IN CONFIDENCE FOR TEMPORARY USE AND TO BE RETURNED THEREAFTER IF REQUESTED. NOT TO BE COPIED OR DISCLOSED TO OTHERS WITHOUT THE EXPRESS CONSENT OF HEYL & PATTERSON, INC.	
DIVISION: 7	SCALE: 1/8" = 1'-0"
MADE IN U.S.A.	DATE: 9-2-82
CHECKED: [Signature]	APPROVED: [Signature]

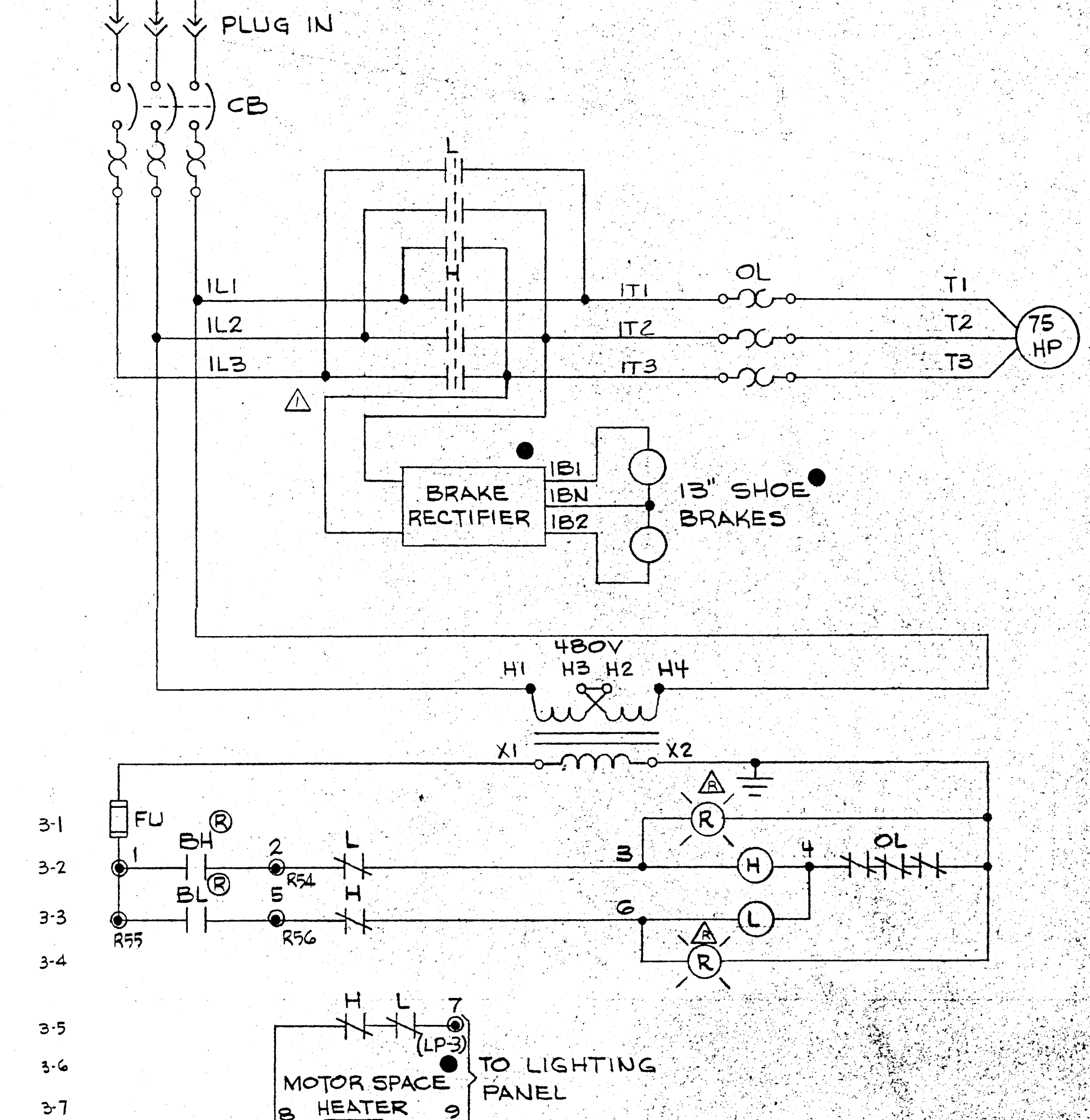
FROM UNIT SUB-STATION L1 L2 L3 CONTINUED ON DWG # 7104



TOW BARGE CABLE REEL
 PREFIX WIRE #S WITH "CR"
 SIZE 1 FVNR
 UNIT 1CD



TOW BARGE HYDRAULIC PUMP
 PREFIX WIRE #S WITH "TB"
 SIZE 2 FVNR
 UNIT 1EF



BOOM HOIST
 PREFIX WIRE #S WITH "BH"
 SIZE 4 FVR
 UNIT 2IN

- LEGEND:~**
- △ - DEVICE MOUNTED IN RIGHT CONTROL CONSOLE IN OPERATOR'S CAB
 - △ - DEVICE MOUNTED IN LEFT CONTROL CONSOLE IN OPERATOR'S CAB
 - Ⓜ - DEVICE MOUNTED IN LOGIC PANEL
 - - REMOTE MOUNTED DEVICE
 - ⊙ - TERMINAL BLOCK WITHIN M.C.C.
 - Ⓢ - DEVICE MOUNTED IN TROLLEY CONTROLLER

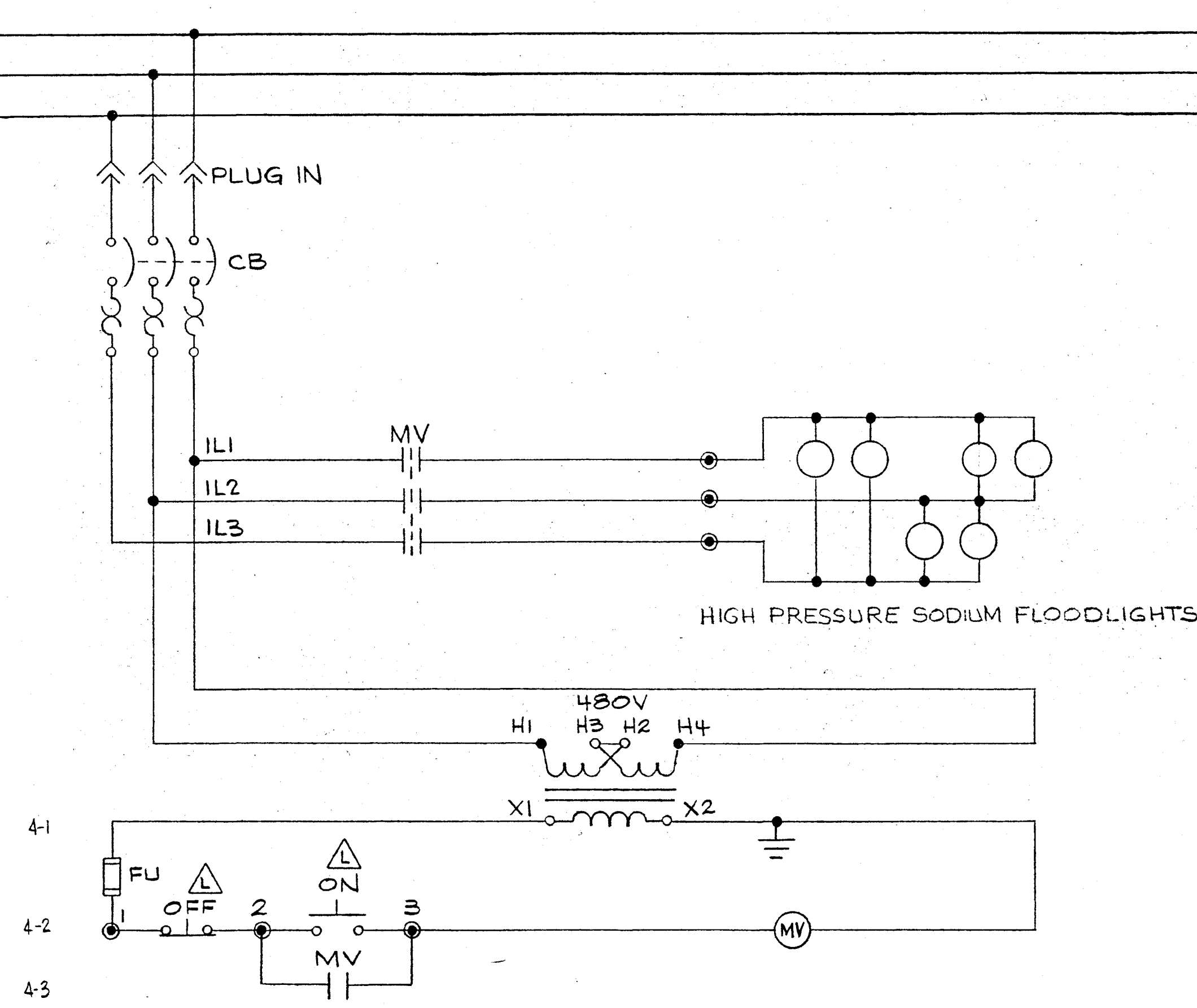
DAVID VOLKERT & ASSOCIATES	
Recommended for Approval	By: _____
Approved As Submitted	By: <u>COLE</u>
Approved Except As Noted	Date: <u>9/2/32</u>
Revised and Resubmit	
Disapproved	

APPROVAL IS TO GENERAL LAYOUT ONLY, AND IN NO WAY RELIEVES THE CONTRACTOR OR SUPPLIER OF HIS RESPONSIBILITY FOR THE ACCURACY OF THE DRAWINGS, DETAILS OR WORK COVERED. CONTRACTOR SHALL VERIFY ALL DIMENSIONS, QUANTITIES AND JOB CONDITIONS.

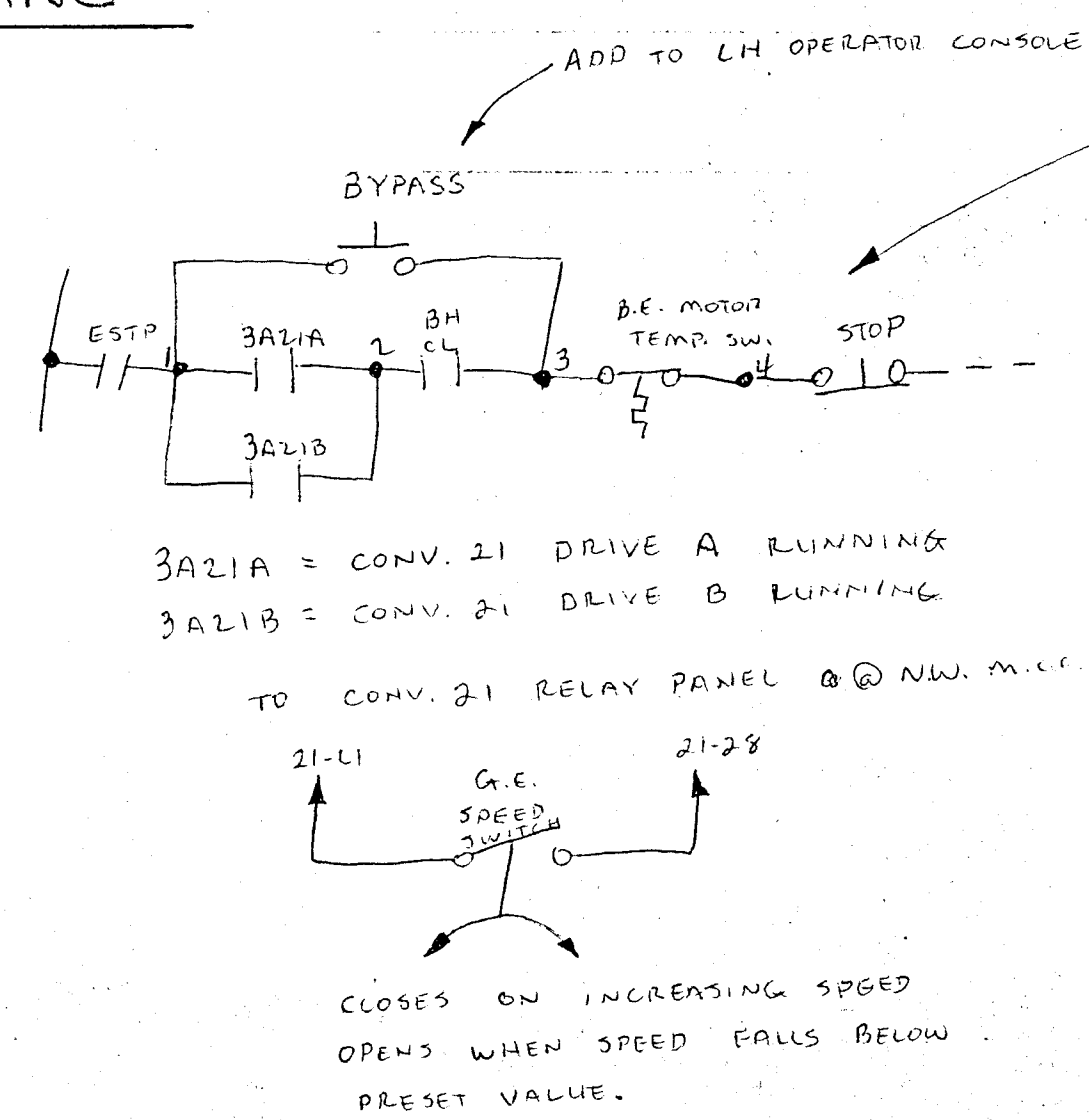
6440-3-7103	
HEYL & PATTERSON, INC. CONTRACTING ENGINEERS	
5-3-32	2 HP WAS 3 HP
1/12/32	ADDED LIGHTING PANEL REF #S
12/1/32	ADDED REF LINES #S
REV #	DATE DESCRIPTION
7	SCALE
THIS DRAWING IS THE PROPERTY OF HEYL & PATTERSON, INC. AND FURNISHED IN CONFIDENCE FOR TEMPORARY USE AND TO BE RETURNED, FURNISHED, IN RECOGNITION, NOT TO BE COPIED OR DISCLOSED TO OTHERS WITHOUT THE EXPRESS CONSENT OF HEYL & PATTERSON, INC.	
DIVISION	SCALE
MADE IN	DATE
CHECKED	DATE
APPROVED	DATE

CONTINUED FROM DWG # 7103

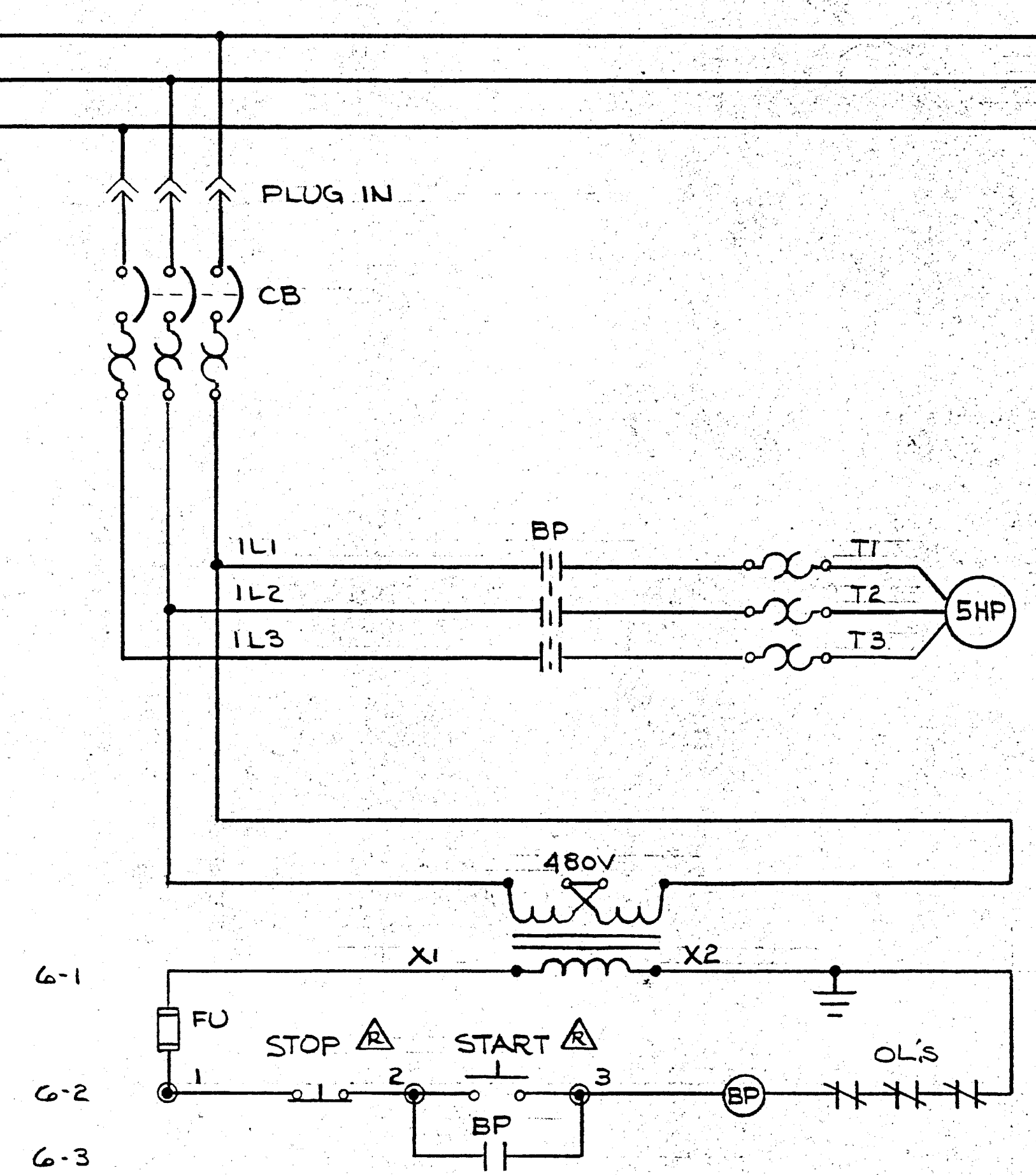
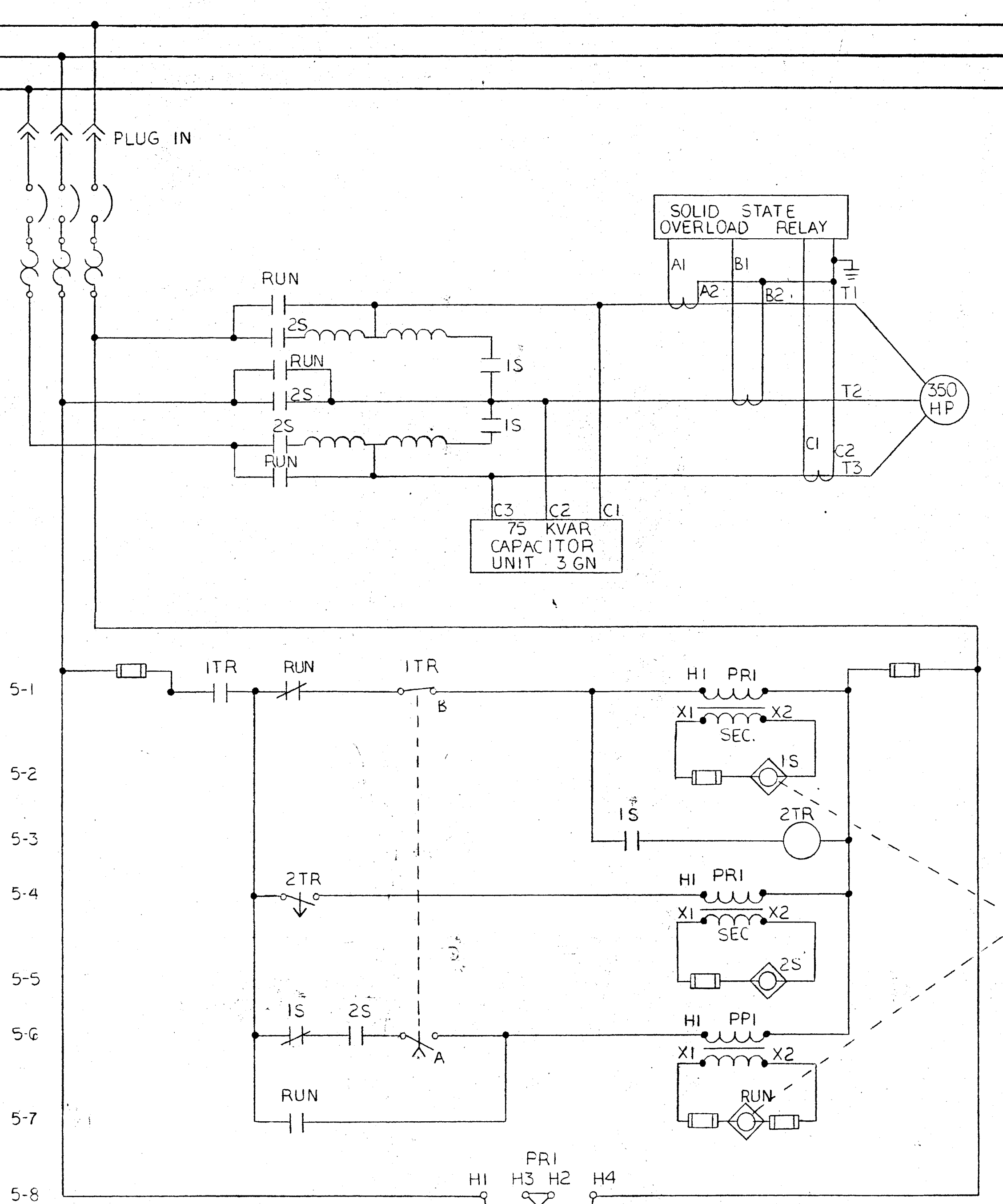
CONTINUED ON DWG # 7105



HIGH PRESSURE SODIUM FLOODLIGHTING
PREFIX WIRE #S WITH "MV"
UNIT 1GH



BUCKET ELEVATOR
PREFIX WIRE #S WITH "BE"
SIZE 7 RVNR
CLOSED TRANSITION AUTO TRANSFORMER
UNIT 6AN₃ & 6AN₆



BARGE POSITIONER HYD. PUMP
PREFIX WIRE #S WITH BP
UNIT 1MN

SEE DWG # 7103 FOR LEGEND

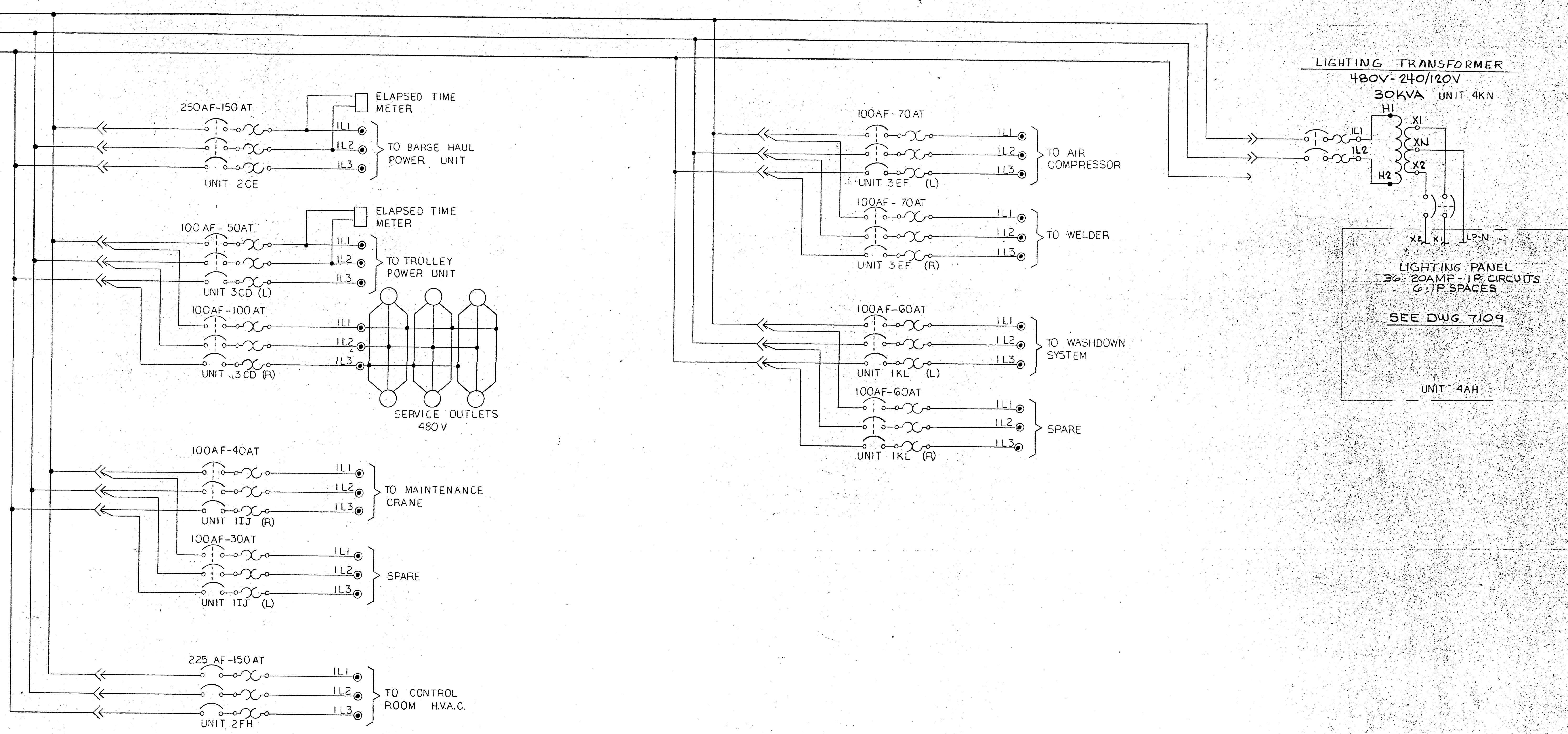
DAVID VOYSEY & ASSOCIATES	
Prepared for Approval	By: Cole
Approved As Submitted	Date: 9-2-82
Approved Except As Noted	
Revise and Resubmit	
Disapproved	

APPROVAL IS TO GENERAL LAYOUT ONLY, AND IN NO WAY RELIEVES THE CONTRACTOR OR SUPPLIER OF HIS RESPONSIBILITY FOR THE ACCURACY OF THE DRAWINGS, DETAILS OR WORK QUANTITIES AND JOB CONDITIONS.

* REVISE SCHEMATIC AS SHOWN

6440-3-7104	
HEYL & PATTERSON, INC. CONTRACTING ENGINEERS PITTSBURGH, U.S.A. BUCKET ELEVATOR BARGE UNLOADER	
3/1/82 JCT	ADDED BARGE POS. HYD. PUMP
1/12/82 MZ	HIGH PRESSURE SODIUM FLOOD LIGHTING
12/17/81 MZ	REV. FOR VENDOR DWG
REV #	DATE NAME DESCRIPTION
THIS DRAWING IS THE PROPERTY OF HEYL & PATTERSON, INC. AND FURNISHED IN CONFIDENCE. FOR TEMPORARY USE AND TO BE RETURNED THEREAFTER IF REQUESTED. NOT TO BE COPIED OR DISCLOSED TO OTHERS WITHOUT THE EXPRESS CONSENT OF HEYL & PATTERSON, INC.	

CONTINUED FROM
DWG# 7104

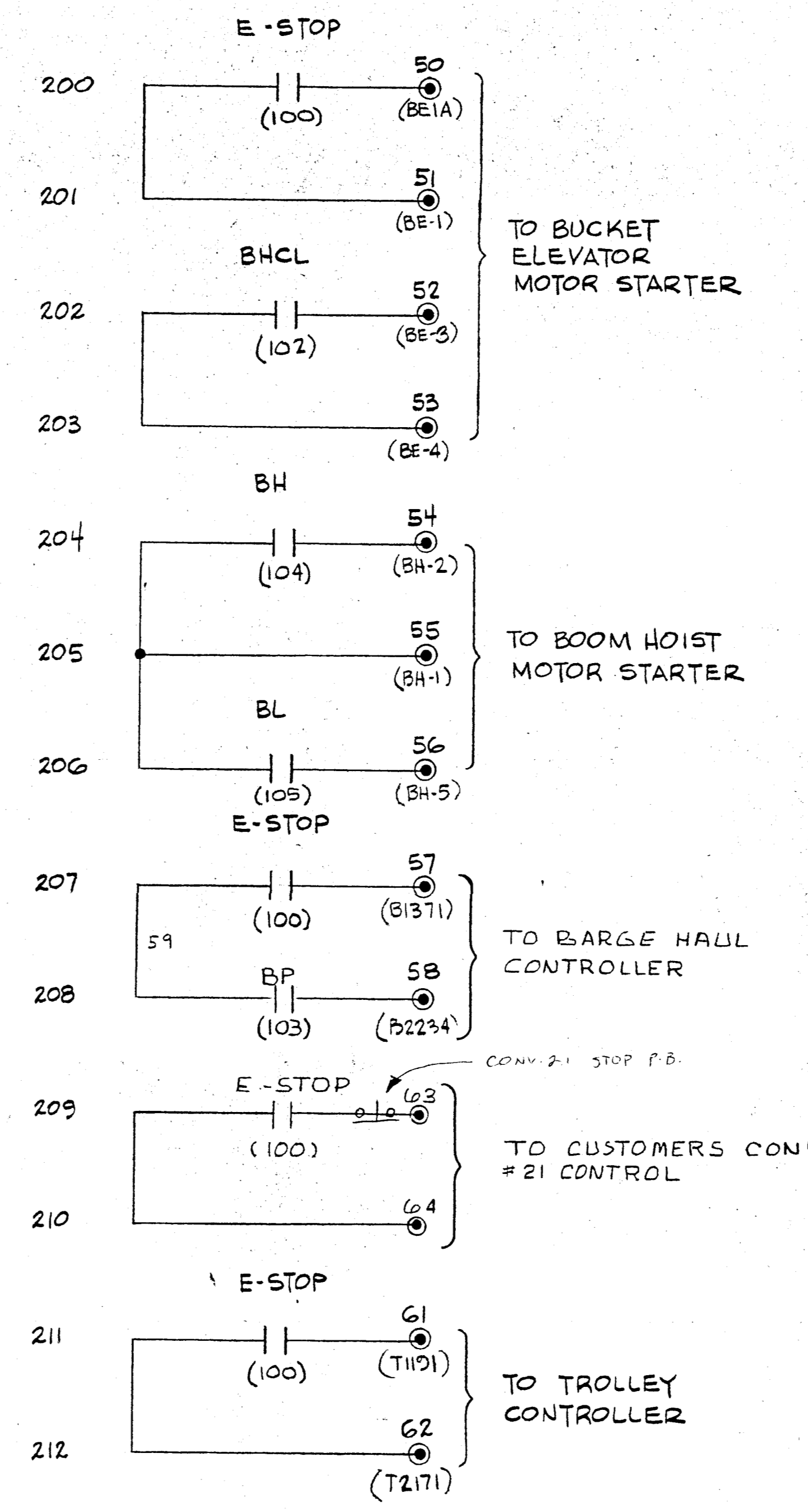
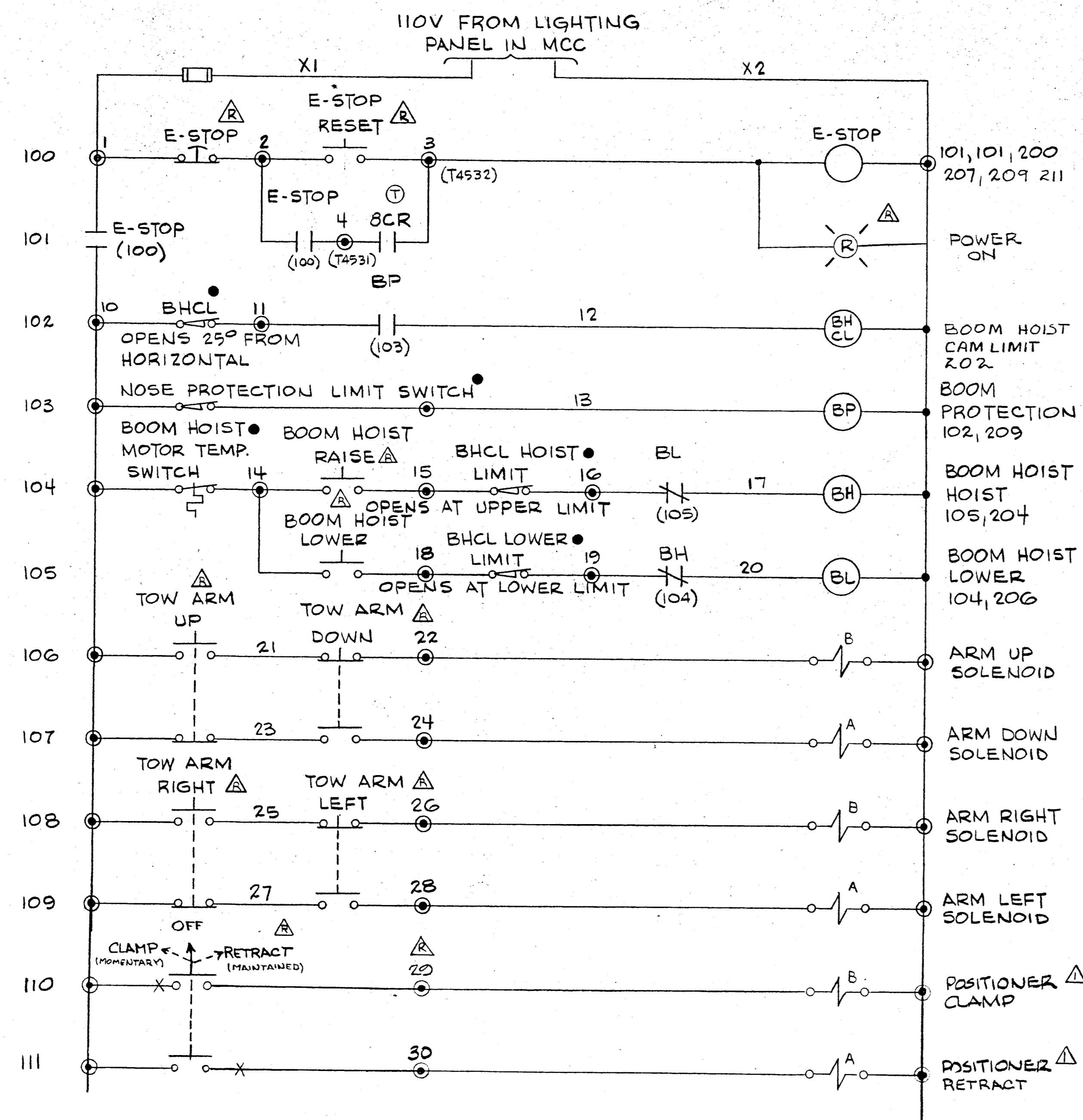


SEE DWG# 7103 FOR LEGEND

HEYL & PATTERSON, INC.	
Approved for Approval	By: _____
Approved As Submitted	By: C. C. LEE
Approved For As Noted	DATE: 7-2-82
Review and Resubmit	
Discontinue	

APPROVE IS NO GENERAL LAYOUT ONLY, AND IN NO WAY RELEASES THE CONTRACTOR OR SUPPLIER OF HIS RESPONSIBILITY FOR THE ACCURACY OF THE DRAWINGS, DETAILS OR WORK. CONTRACTOR SHALL VERIFY ALL DIMENSIONS, QUANTITIES AND JOB CONDITIONS.

6440-3-7105	
HEYL & PATTERSON, INC. CONTRACTING ENGINEERS PITTSBURGH, U.S.A. BUCKET ELEVATOR - BARGE	
71282	REV PER VENDOR PRINT
1/12/82	REVISED LIGHTING PANEL
REV #	DATE NAME DESCRIPTION
THIS DRAWING IS THE PROPERTY OF HEYL & PATTERSON, INC. AND FURNISHED IN CONFIDENCE FOR TEMPORARY USE AND TO BE RETURNED THEREAFTER IF REQUESTED. NOT TO BE COPIED OR DISCLOSED TO OTHERS WITHOUT THE EXPRESS CONSENT OF HEYL & PATTERSON, INC.	
DIVISION	MADE LEB
CHECKED	DATE 7-2-82
APPROVED	DATE 7-2-82



WIRE CONV. NO. 24 STOP P.B. IN SERIES WITH E-STOP CONTACTS.

- LEGEND**
- △ DEVICE MOUNTED IN RIGHT CONSOLE
 - △ DEVICE MOUNTED IN LEFT CONSOLE
 - ⊙ DEVICE MOUNTED IN TROLLEY CONTROLLER
 - REMOTE DEVICE
 - RELAY PANEL TERMINAL

DAVID VOLKERT & ASSOCIATES

Recommended for Approval	By: Cole
Approved As Submitted	Date: 9-2-82
Approved Except As Noted	
Revise and Resubmit	
Disapproved	

APPROVAL IS TO GENERAL LAYOUT ONLY, AND IN NO WAY RELIEVES THE CONTRACTOR OR SUPPLIER OF HIS RESPONSIBILITY FOR THE ACCURACY OF THE DRAWINGS, DETAILS OR WORK COVERED. CONTRACTOR SHALL VERIFY ALL DIMENSIONS, QUANTITIES AND JOB CONDITIONS.

* CHANGE CIRCUIT AS SHOWN

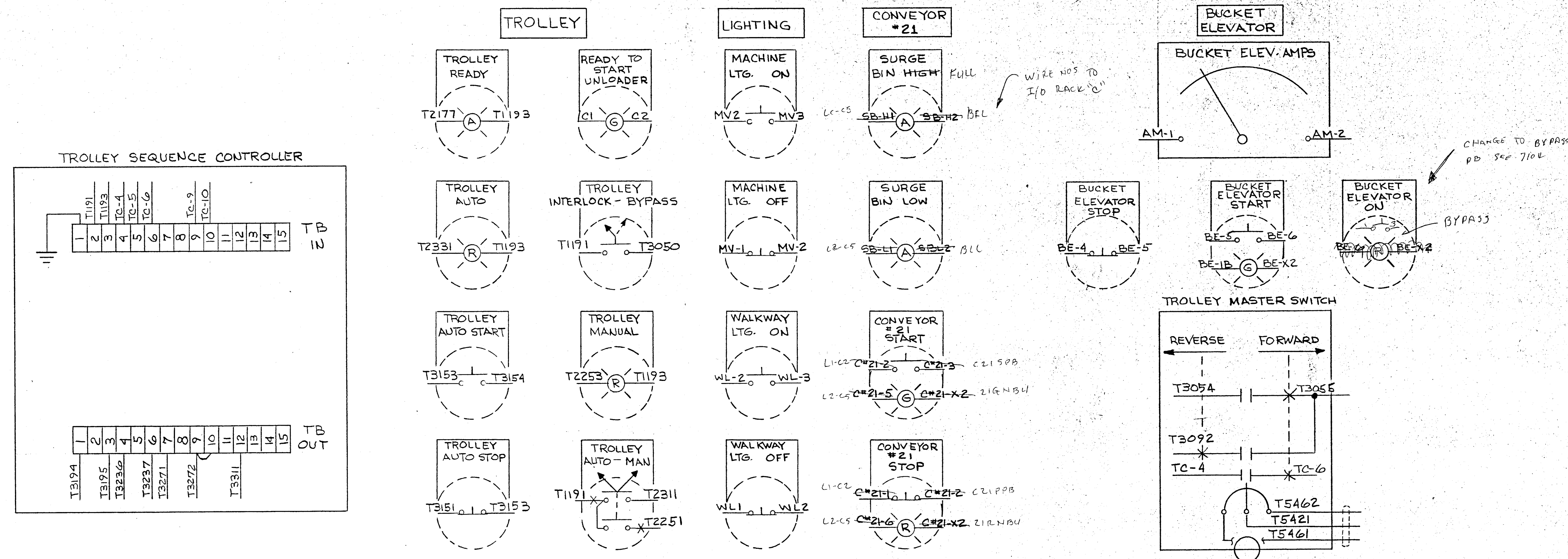
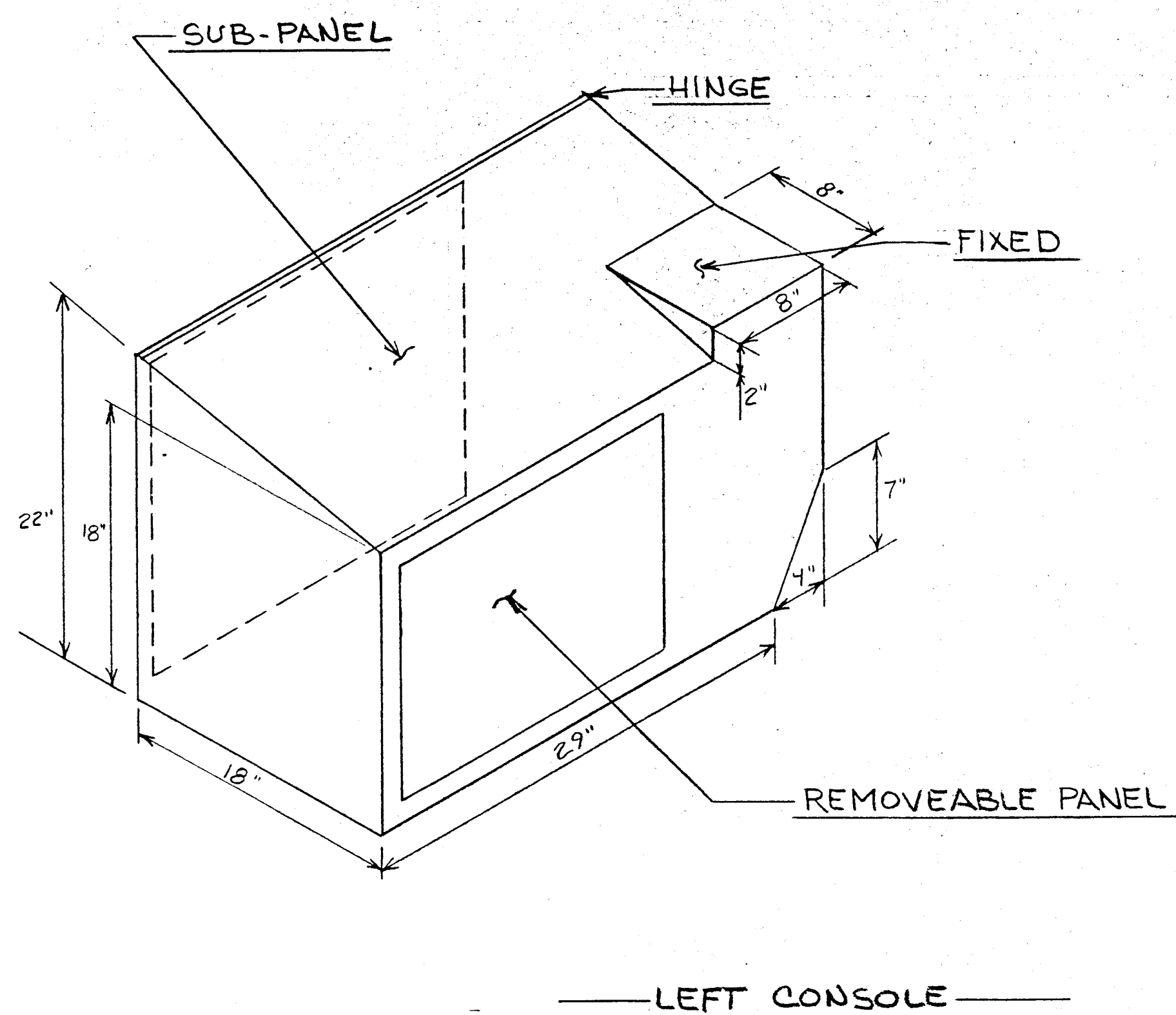
6440-3-7106

HEYL & PATTERSON, INC.
CONTRACTING ENGINEERS
BUCKET ELEVATOR BARGE UNLOADER
RELAY PANEL SCHEMATIC

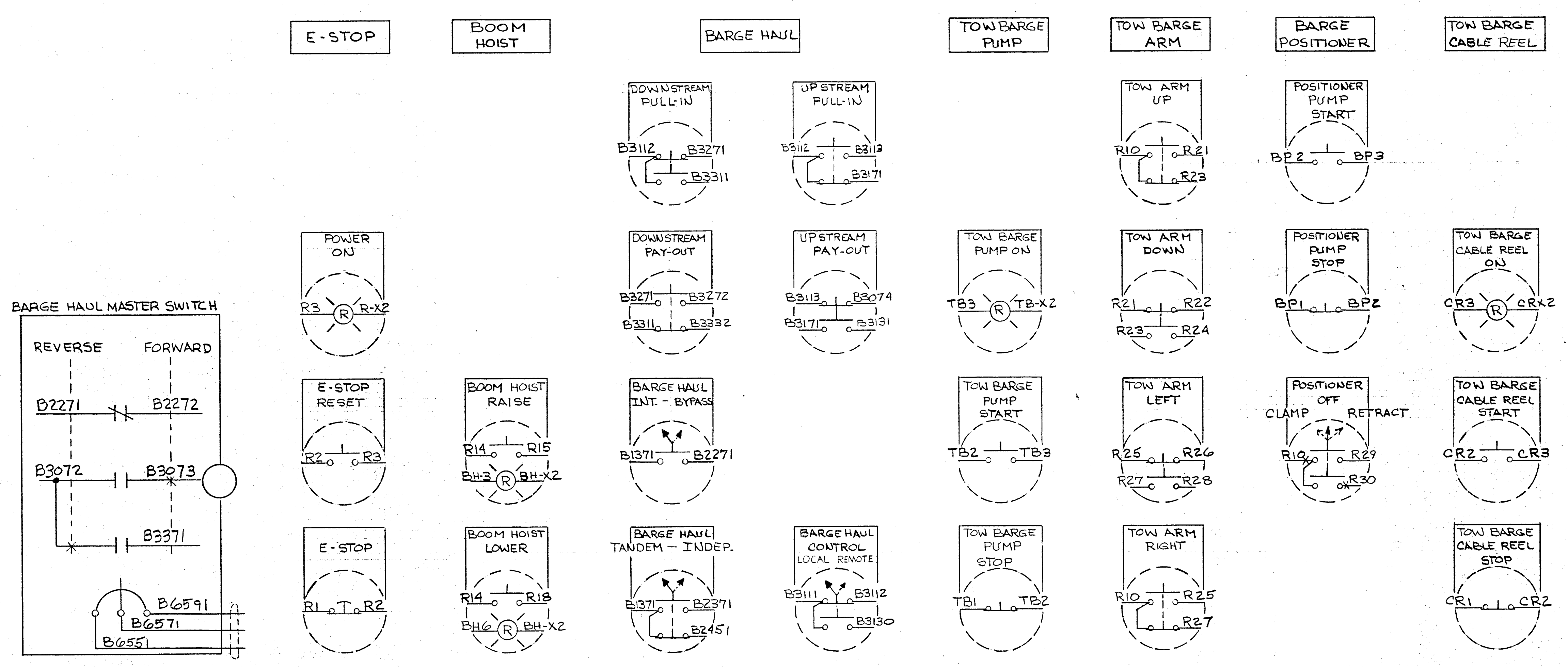
REV #	DATE	NAME	DESCRIPTION
5-3-82			ADDED POSITIONER CIRCUITS

THIS DRAWING IS THE PROPERTY OF HEYL & PATTERSON, INC. AND FURNISHED IN CONFIDENCE FOR TEMPORARY USE AND TO BE RETURNED THEREAFTER IF REQUESTED. NOT TO BE COPIED OR DISCLOSED TO OTHERS WITHOUT THE EXPRESS CONSENT OF HEYL & PATTERSON, INC.

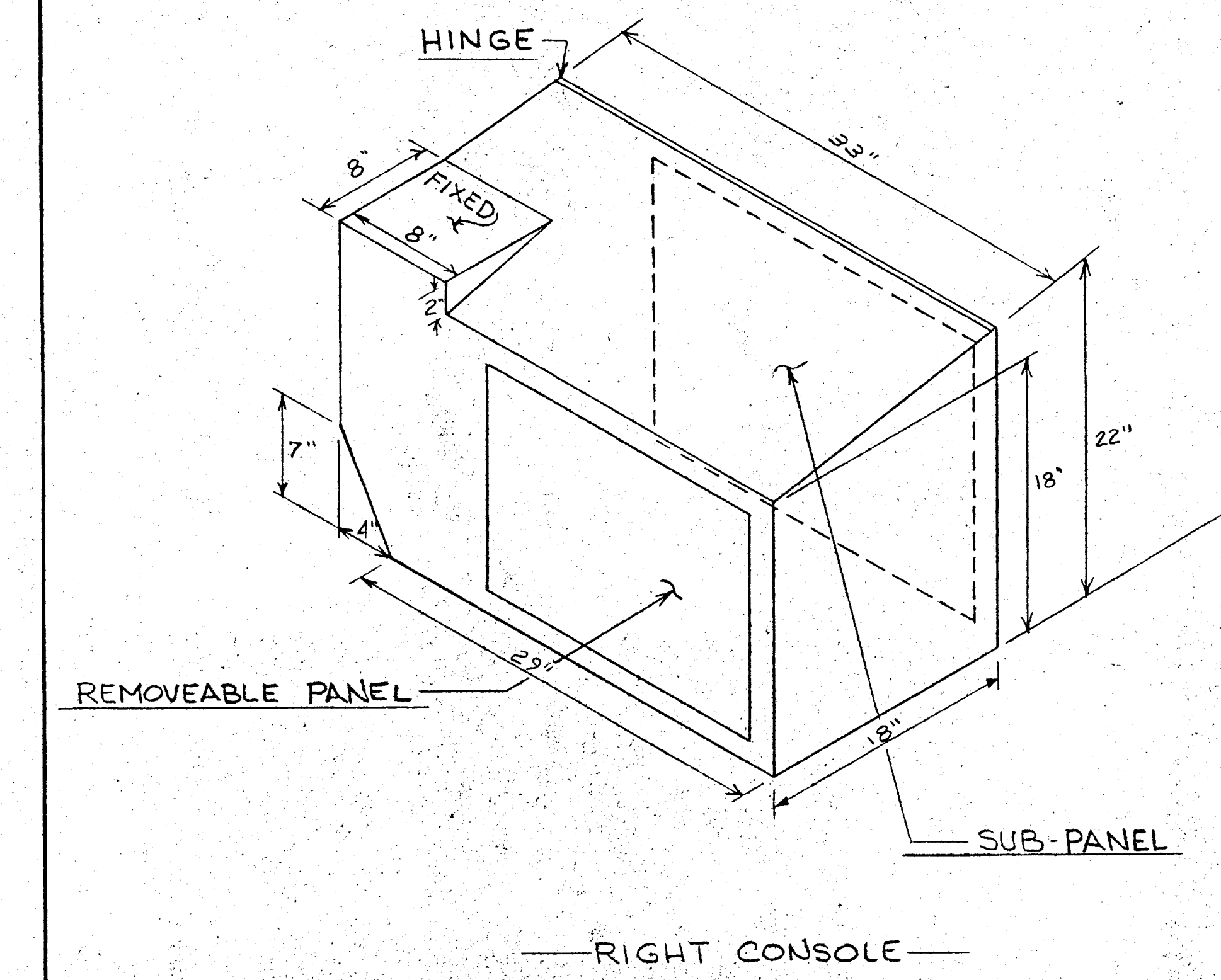
APPROVED: [Signature]



LEFT HAND CONSOLE



RIGHT HAND CONSOLE



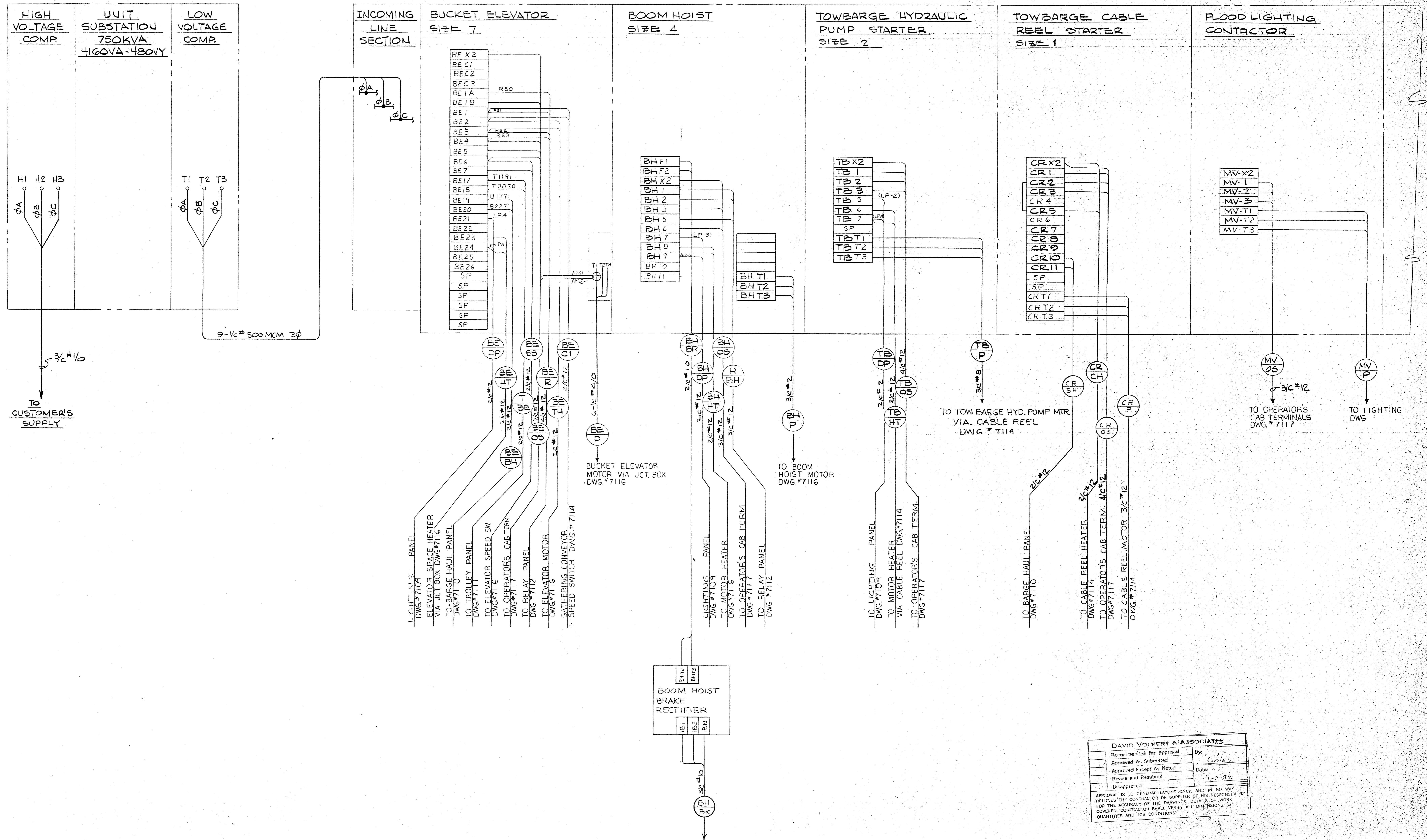
DEVELOPMENT & ASSOCIATES
 Approved for Approval By: *Cole*
 Approved As Submitted Date: 9-2-82
 Allotted Factors As Noted
 Estimate and Resubmit
 Disapproved

APPROVAL IS TO GENERAL LAYOUT ONLY, AND IN NO WAY RELIEVES THE CONTRACTOR OR SUPPLIER OF HIS RESPONSIBILITY FOR THE ACCURACY OF THE DRAWINGS, DETAILS OR WORK QUANTITIES AND JOB CONDITIONS.

* CHANGE DRAWING AS SHOWN HERE AND ON ATTACHED SKETCHES.

6440-3-7107	
HEYL & PATTERSON, INC. CONTRACTING ENGINEERS	
DESIGNED BY: BUCKET ELEVATOR BARGE UNLOADER	
FOR INDUSTRIAL DEVELOPMENT BOARD OF THE CITY OF MOBILE ALABAMA	
REV #	DATE NAME DESCRIPTION
5-3-82	MJZ: REDRAWN.
- THIS DRAWING IS THE PROPERTY OF HEYL & PATTERSON, INC. AND FURNISHED IN CONFIDENCE FOR TEMPORARY USE AND TO BE RETURNED THEREAFTER IF REQUESTED. NOT TO BE COPIED OR DISCLOSED TO OTHERS WITHOUT THE EXPRESS CONSENT OF HEYL & PATTERSON, INC.	
DIVISION: 21	SCALE: AS SHOWN
MADE: HARK ZILAVY	DATE: 3/22/82
CHECKED: J.H.H.	3/22/82
APPROVED: G.L.K.	

MOTOR CONTROL CENTER

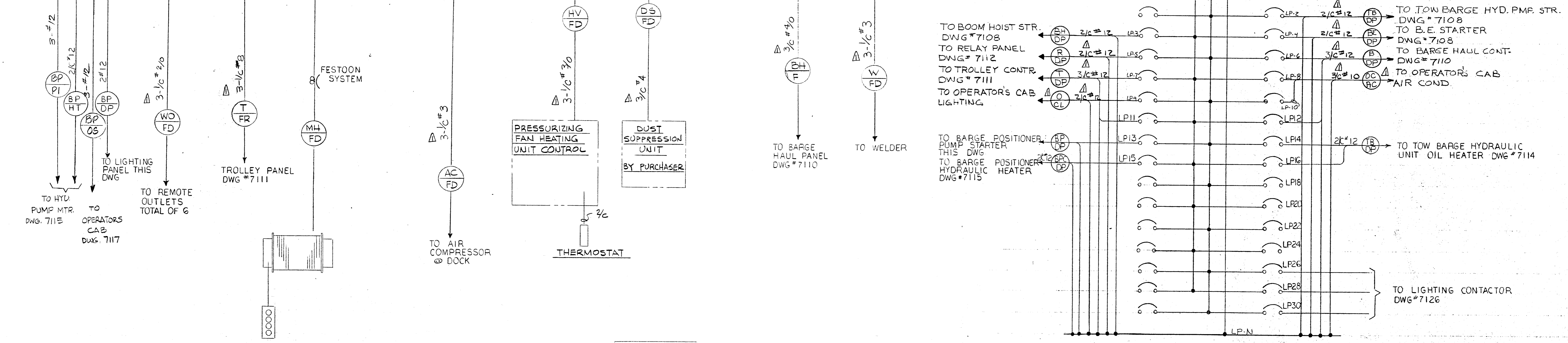
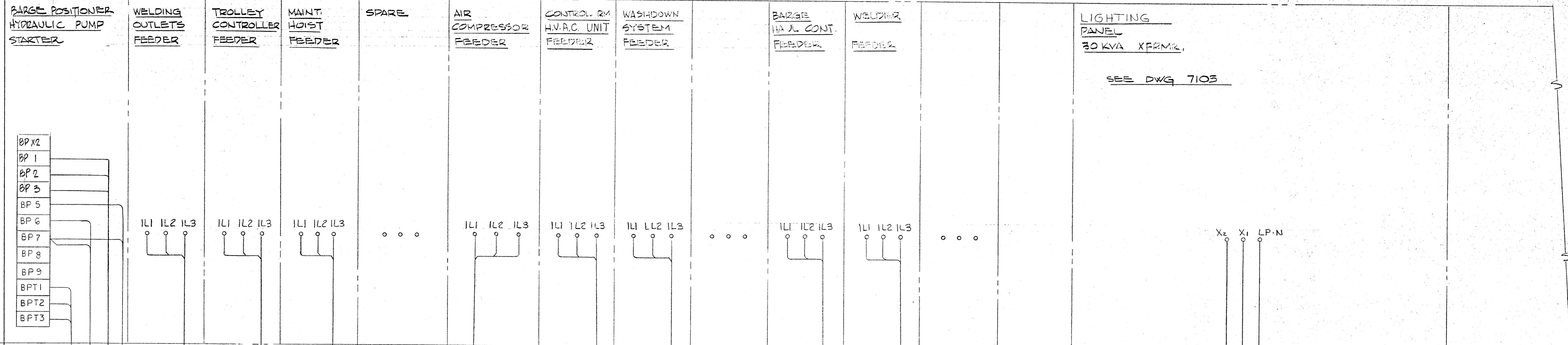


DAVID VOLKERT & ASSOCIATES
 Recommended for Approval: Approved As Submitted: Approved Except As Noted: Revise and Resubmit: Disapproved:
 By: Cole
 Date: 9-2-82

APPROVAL IS TO GENERAL LAYOUT ONLY, AND IN NO WAY RELEASES THE CONTRACTOR OR SUPPLIER OF HIS RESPONSIBILITY TO VERIFY THE ACCURACY OF THE DRAWINGS, SETS OR WORK FOR THE ACCURACY OF THE DRAWINGS, SETS OR WORK. CONTRACTOR SHALL VERIFY ALL DIMENSIONS, QUANTITIES AND JOB CONDITIONS.

6440-3-7108	
HEYL & PATTERSON, INC. CONTRACTING ENGINEERS	
BUCKET ELEVATOR BARGE UNLOADER	
MCC INTERCONNECTION FOR INDUSTRIAL DEVELOPMENT BOARD OF THE CITY OF MOBILE, ALABAMA (ALABAMA STATE DOCKS DEPT. PROJECT)	
5-3-82 DJP	REVISED PER VENDOR PRINTS
2-11-82 C.E.	ADDED WIRE SIZE
REV #	DATE NAME DESCRIPTION
THIS DRAWING IS THE PROPERTY OF HEYL & PATTERSON, INC. AND FURNISHED IN CONFIDENCE FOR TEMPORARY USE AND TO BE RETURNED THEREAFTER IF REQUESTED. NOT TO BE COPIED OR DISCLOSED TO OTHERS WITHOUT THE EXPRESS CONSENT OF HEYL & PATTERSON, INC.	
DIVISION: T1	SCALE: 1/8" = 1'-0"
MADE: LEB	DATE: 8-20-81
CHECKED: [Signature]	DATE: 9-2-82
APPROVED: [Signature]	DATE: JUL 29 1982

MOTOR CONTROL CENTER (CONT'D)



DAVID VOLKERT & ASSOCIATES

Recommended for Approval: _____ By: _____

Approved As Submitted: By: COLE

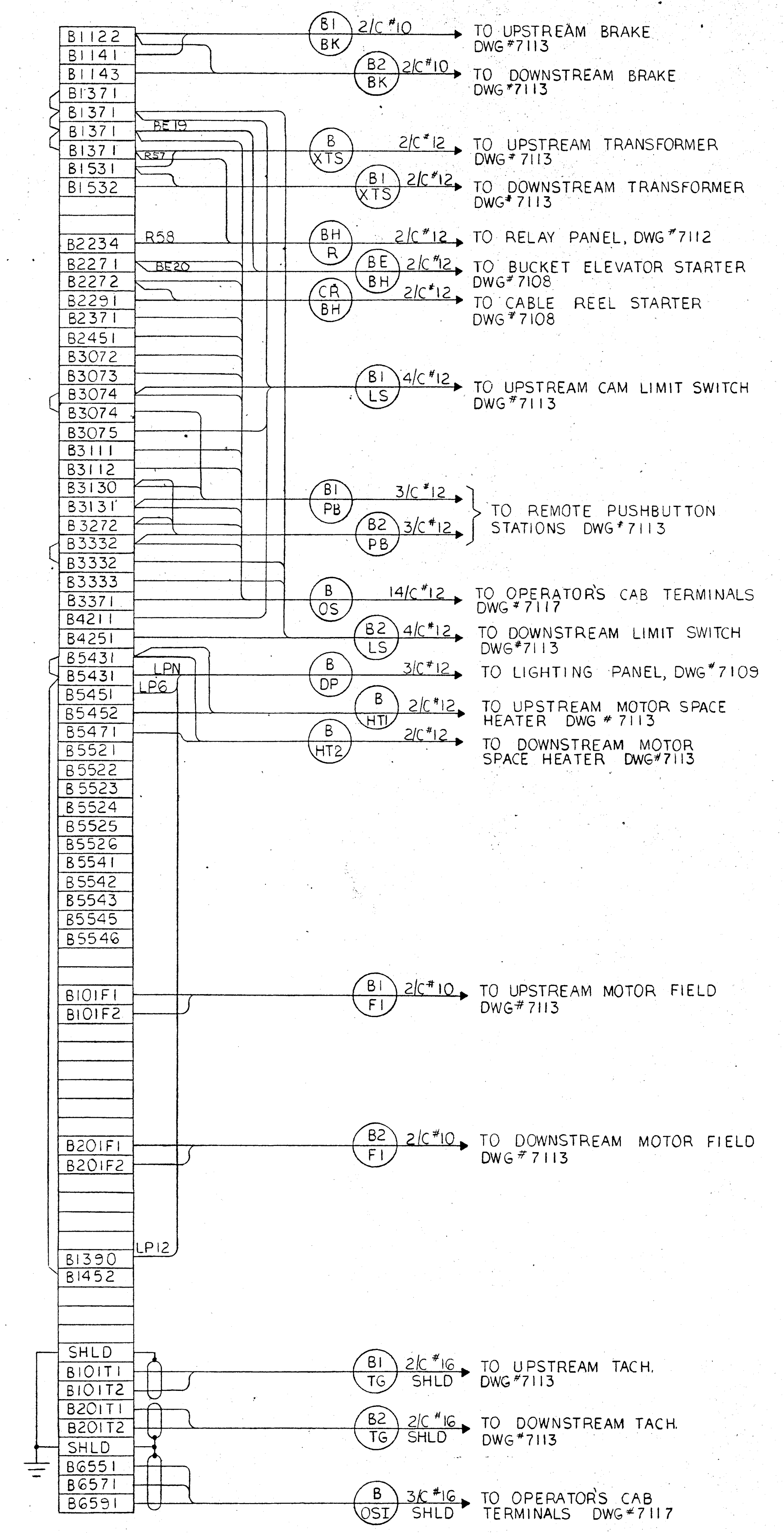
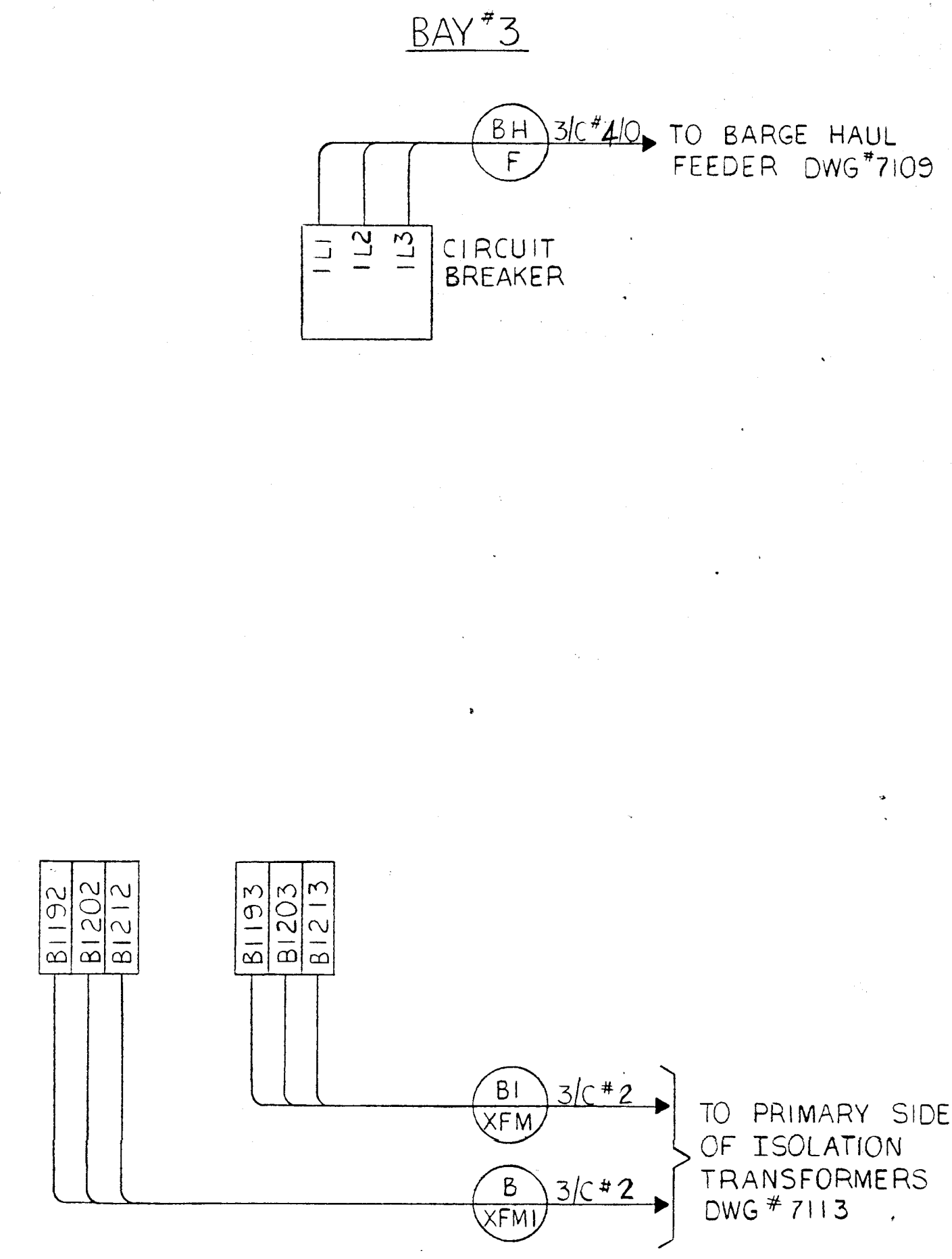
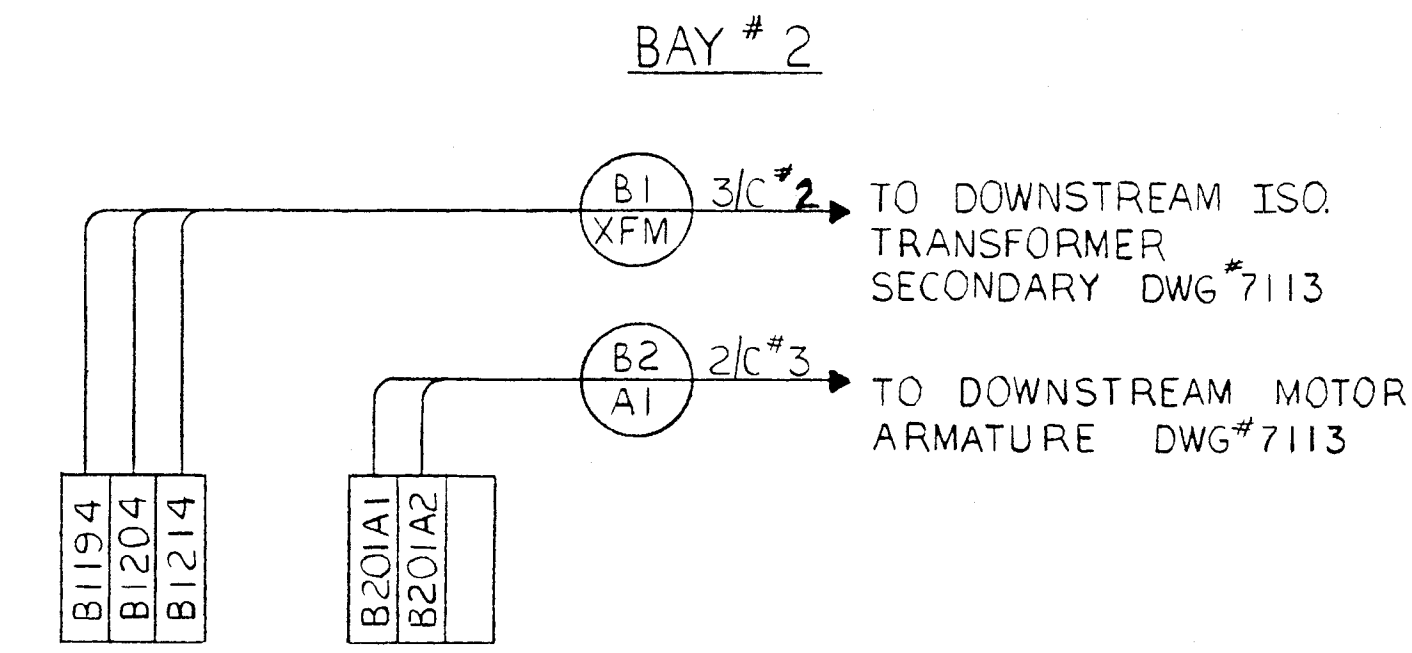
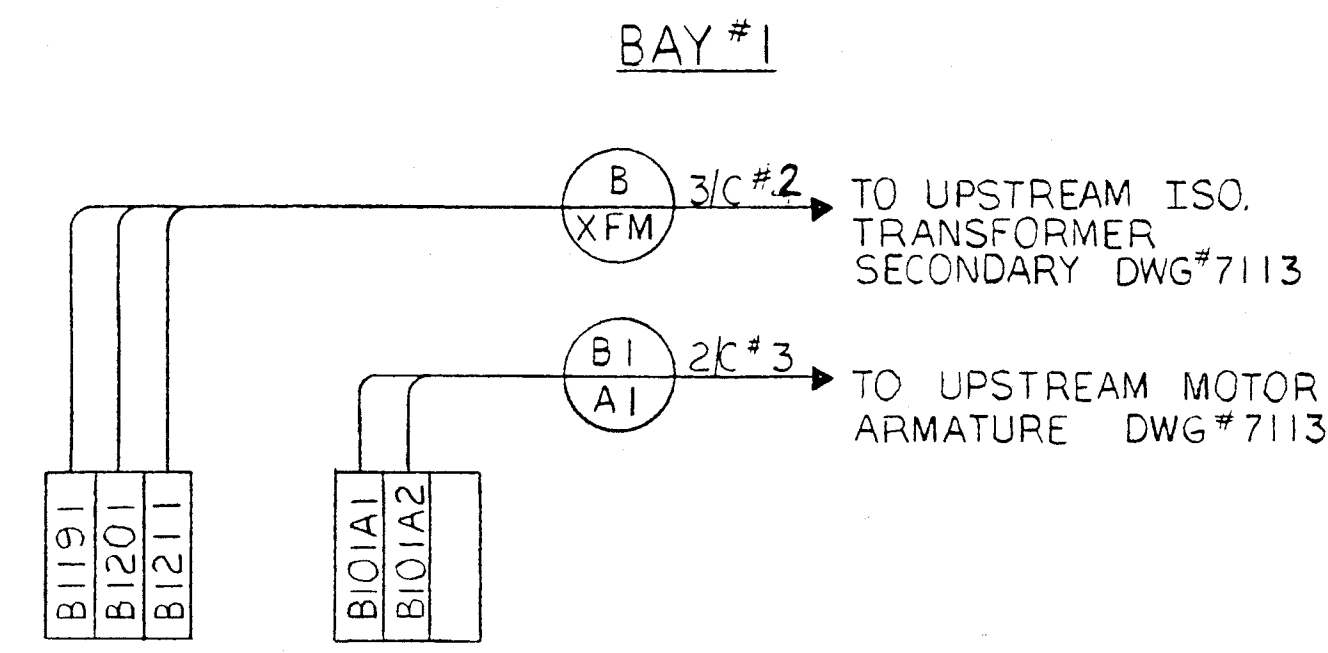
Approved Except As Noted: _____ Date: 7/2/82

Revise and Resubmit: _____

D: approved _____

APP'D DWG IS FOR GENERAL LAYOUT ONLY, AND IN NO WAY BEGINS THE DESIGN OR CONSTRUCTION OF THE PROJECT. THE USER SHALL VERIFY ALL DIMENSIONS, QUANTITIES AND JOB CONDITIONS.

6440-3-7109	
HEYL & PATTERSON, INC.	
CONTRACTING ENGINEERS	
PITTSBURGH, U.S.A.	
BUCKET ELEVATOR, BARGE UNLOADER	
MOBILE INTERCONNECTION FOR INDUSTRIAL DEVELOPMENT BOARD OF THE CITY OF MOBILE ALABAMA (ALABAMA STATE DOCKS DEPT PROJECT)	
6-8-82 MAK ADDED CIRCUITS TO CONTROLLER TANS. 5-3-82 MDM ADDED POS. PUMP STARTER 2-12-82 MDM ADDED WIRE SIZES	DIVISION: <u>LES</u> SCALE: <u>1/4"</u> MADE: <u>LES</u> DATE: <u>8-11-82</u> CHECKED: <u>COLE</u> DATE: <u>7-13-82</u> APPROVED: <u>COLE</u> DATE: <u>JUL 29 1982</u>
THIS DRAWING IS THE PROPERTY OF HEYL & PATTERSON, INC. AND FURNISHED IN CONFIDENCE FOR TEMPORARY USE AND TO BE RETURNED THEREAFTER IF REQUESTED, NOT TO BE COPIED OR DISCLOSED TO OTHERS WITHOUT THE EXPRESS CONSENT OF HEYL & PATTERSON, INC.	



HEYL & PATTERSON & ASSOCIATES

By: *Cole*
 Date: 9-2-82

APPROVAL IS IN GENERAL LAYOUT ONLY, AND IN NO WAY RELIEVES THE CONTRACTOR OR SUPPLIER OF HIS RESPONSIBILITY FOR THE ACCURACY OF THE DRAWINGS, WITH THE WORK COVERED. CONTRACTOR SHALL VERIFY ALL DIMENSIONS, QUANTITIES AND JOBS QUANTITIES.

6440-3-7110

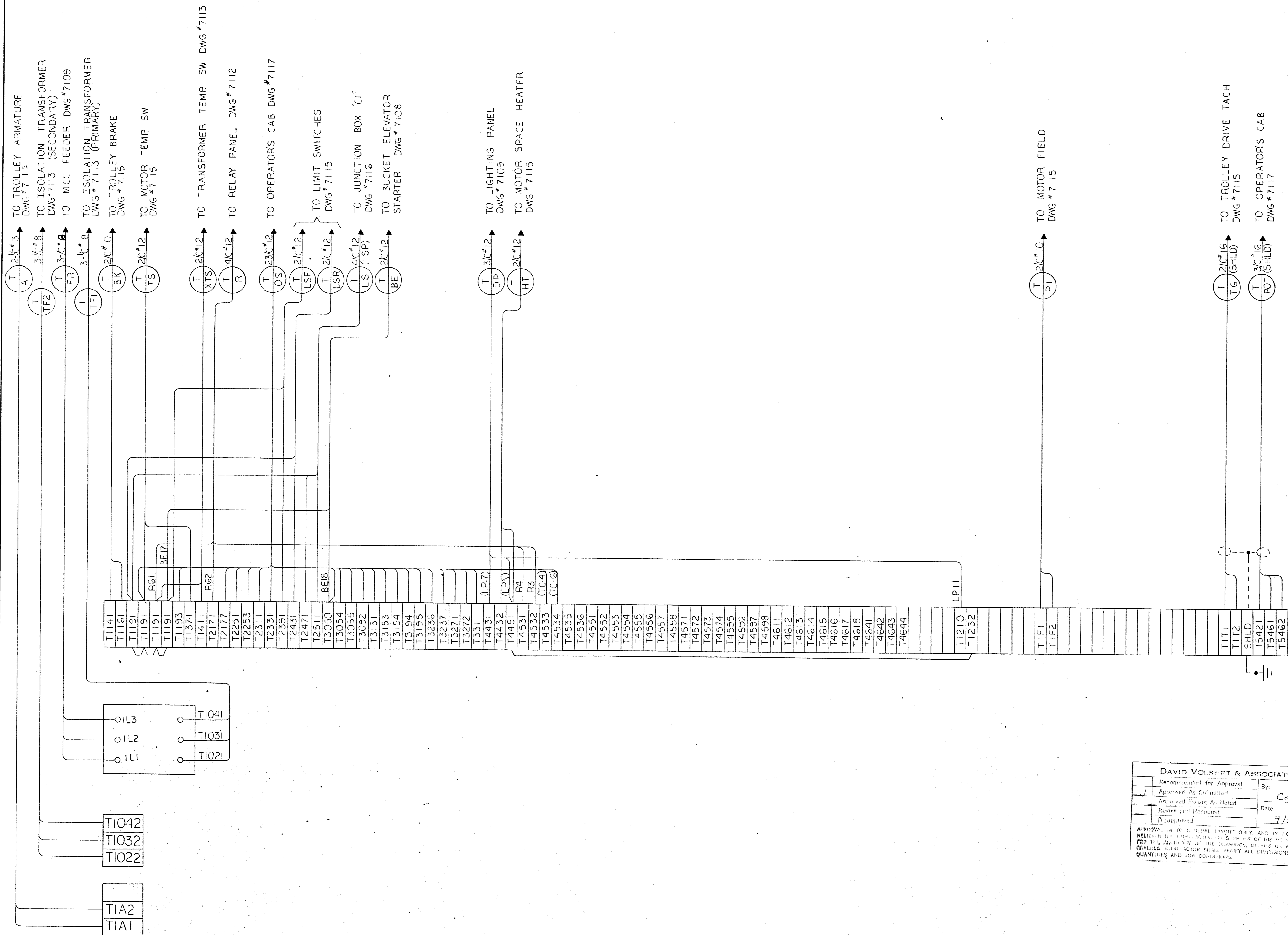
HEYL & PATTERSON, INC.
 CONTRACTING ENGINEERS

BUCKET ELEVATOR UNLOADER
 BARGE HAUL PANEL

FOR INDUSTRIAL DEVELOPMENT BOARD OF THE CITY OF MOBILE, ALABAMA
 ALABAMA STATE DOCKS DEPT. PROJECT

DIVISION 71 SCALE 1/2"=1'-0"
 MADE: M.A. KIEFER DATE: 4-20-82
 CHECKED: DATE: 4-20-82
 APPROVED: DATE: 4-20-82

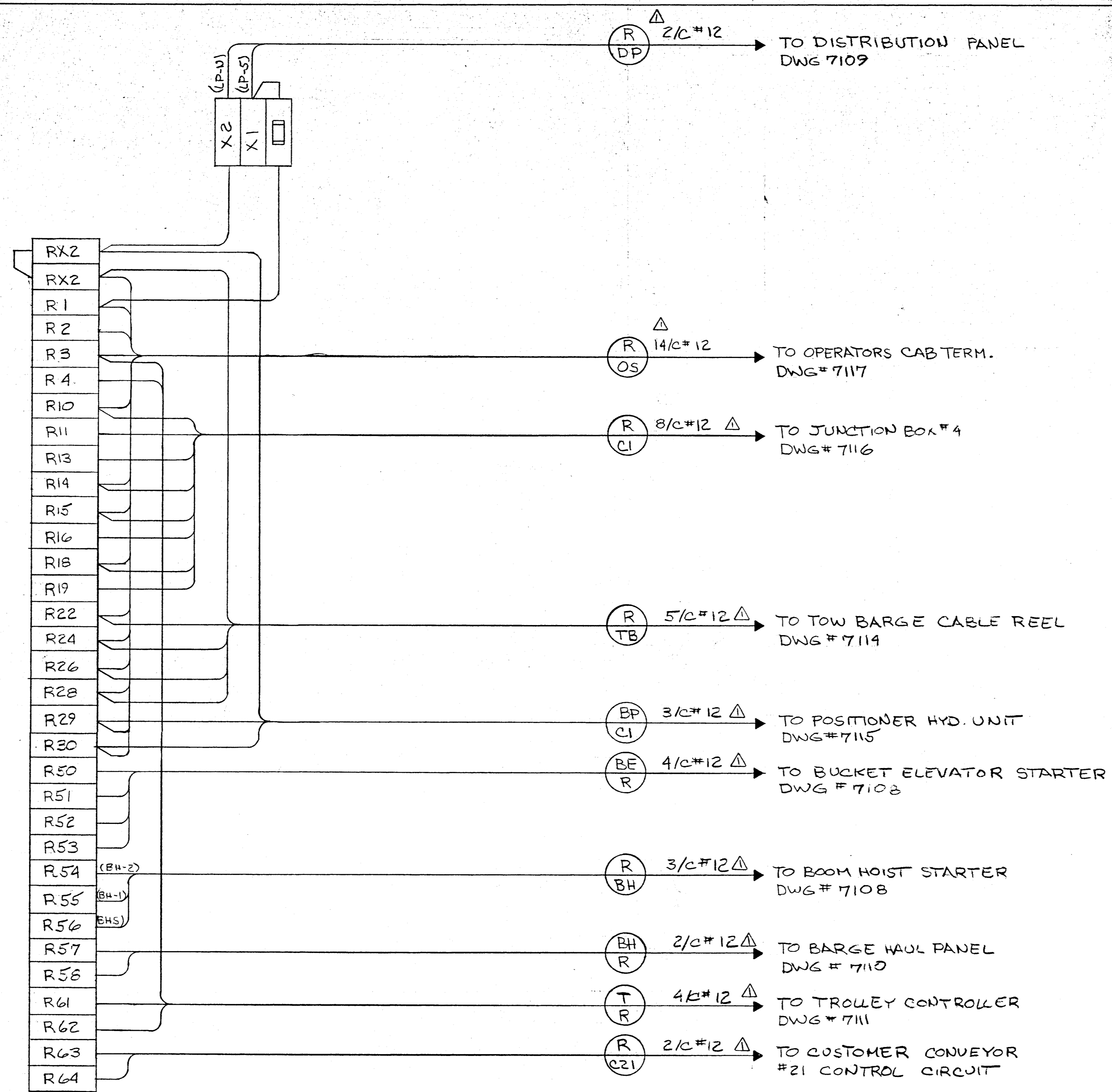
THIS DRAWING IS THE PROPERTY OF HEYL & PATTERSON, INC. AND FURNISHED IN CONFIDENCE FOR TEMPORARY USE AND TO BE RETURNED THEREAFTER IF REQUESTED, NOT TO BE COPIED OR DISCLOSED TO OTHERS WITHOUT THE EXPRESS CONSENT OF HEYL & PATTERSON, INC.



DAVID VOLKERT & ASSOCIATES
 Recommended for Approval By: _____
 Approved As Submitted By: Cole
 Approved Except As Noted Date: 9/2/82
 Revises and Resubmits _____
 Disapproved _____

APPROVAL IS TO BE GIVEN FOR THE DESIGN ONLY, AND IN NO WAY
 RELEASES THE CONTRACTOR OR SUBCONTRACTOR OF HIS RESPONSIBILITY
 FOR THE ACCURACY OF THE DRAWING, SETS & WORK
 QUANTITIES AND FOR CONFORMANCE WITH ALL DIMENSIONS.

6440-3-7111	
HEYL & PATTERSON, INC. CONTRACTING ENGINEERS	
6-882 MAK	33082 (Circuit for fan to logic panel)
3-30-82 MAK	RE-DRAWN
REV #	DATE NAME DESCRIPTION
THIS DRAWING IS THE PROPERTY OF HEYL & PATTERSON, INC. AND FURNISHED IN CONFIDENCE FOR TEMPORARY USE AND TO BE RETURNED THEREAFTER IF REQUESTED. NOT TO BE COPIED OR DISCLOSED TO OTHERS WITHOUT THE EXPRESS CONSENT OF HEYL & PATTERSON, INC.	
MADE BY: MAKIEFER	SCALE: 1" = 1'-0"
CHECKED BY: _____	DATE: 3-30-82
APPROVED BY: _____	JUL 23 1982



DAVID VOLKERT & ASSOCIATES

Recommended for Approval: Approved As Submitted: Approved Except As Noted: Review and Resubmit: Disapproved:

By: Cole
Date: 9-2-82

APPROVAL IS TO ORIGINAL LAYOUT ONLY, AND IN NO WAY RELIEVES THE CONTRACTOR OF HIS RESPONSIBILITY FOR THE ACCURACY OF THE DRAWINGS, DETAILS OR WORK. CONTRACTOR SHALL VERIFY ALL DIMENSIONS, QUANTITIES AND JOB CONDITIONS.

6440-3-7112

HEYL & PATTERSON, INC.
CONTRACTING ENGINEERS
PITTSBURGH, U.S.A.

BUCKET ELEVATOR BARGE
UNLOADER
RELAY PANEL

FOR INDUSTRIAL DEVELOPMENT BOARD
OF THE CITY OF MOBILE, ALABAMA
(ALABAMA STATE DEPT. PROJECT)

REV #	DATE	NAME	DESCRIPTION
5-3-82			ADDED POSITIONER
2-12-82		MDM	ADD WIRE SIZE

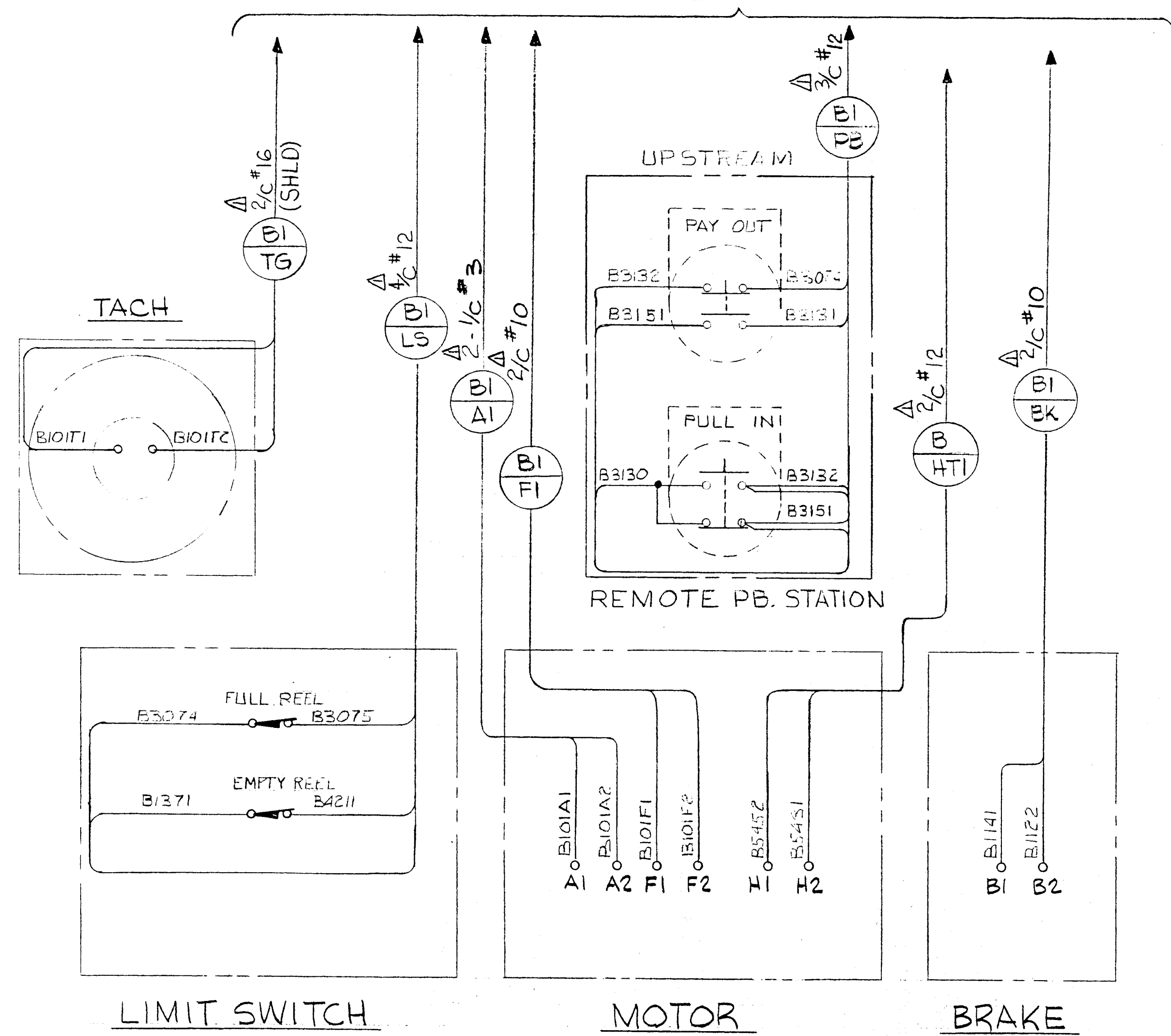
THIS DRAWING IS THE PROPERTY OF HEYL & PATTERSON, INC. AND FURNISHED IN CONFIDENCE FOR TEMPORARY USE AND TO BE RETURNED THEREAFTER IF REQUESTED. NOT TO BE COPIED OR DISCLOSED TO OTHERS WITHOUT THE EXPRESS CONSENT OF HEYL & PATTERSON, INC.

DIVISION: I SCALE: AS SHOWN
MADE: LEB
CHECKED: [Signature]
APPROVED: [Signature]

DATE: JUL 2 1982

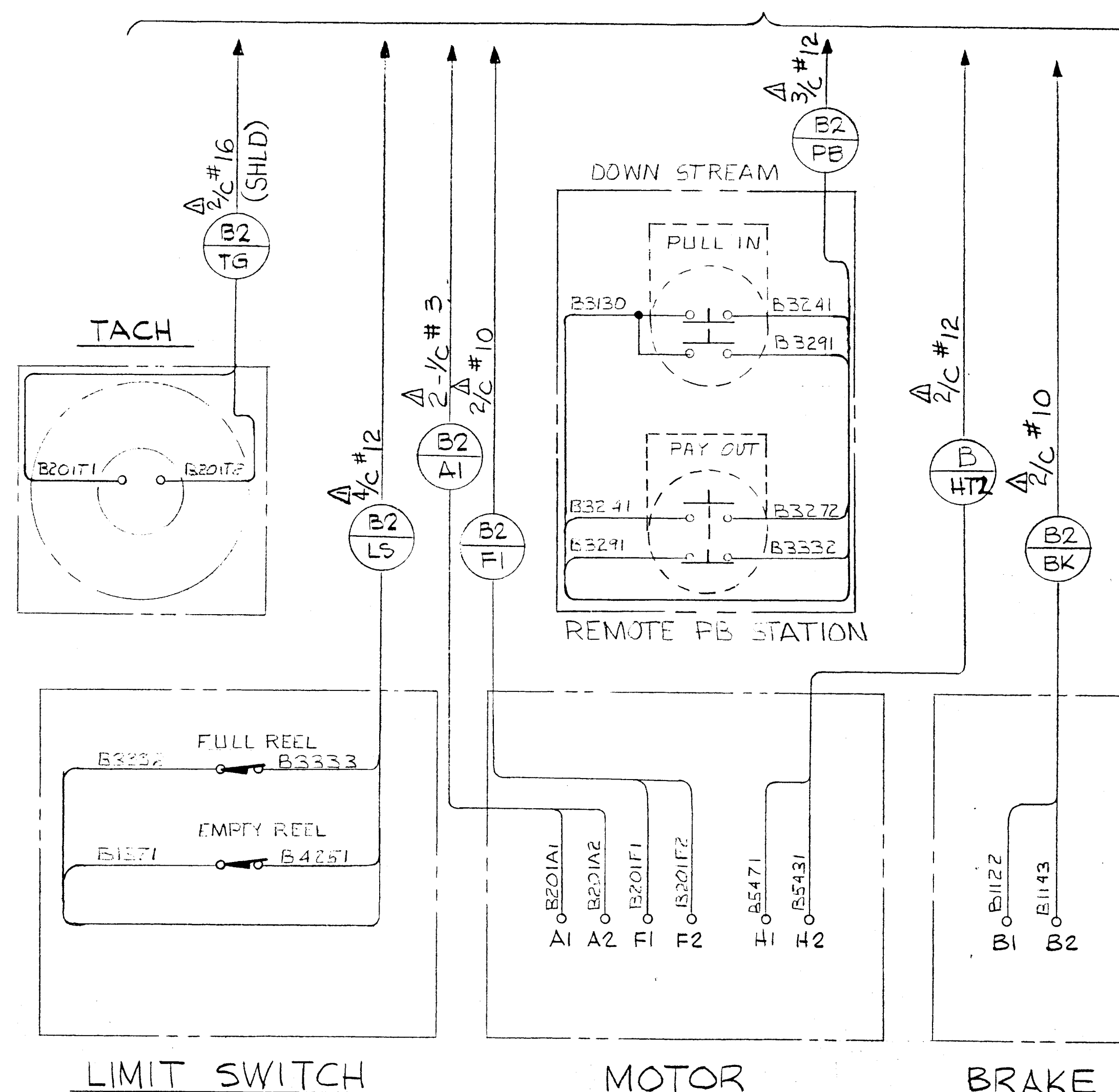
BARGE HAUL PANEL DWG. 7110

BARGE HAUL PANEL DWG. 7110

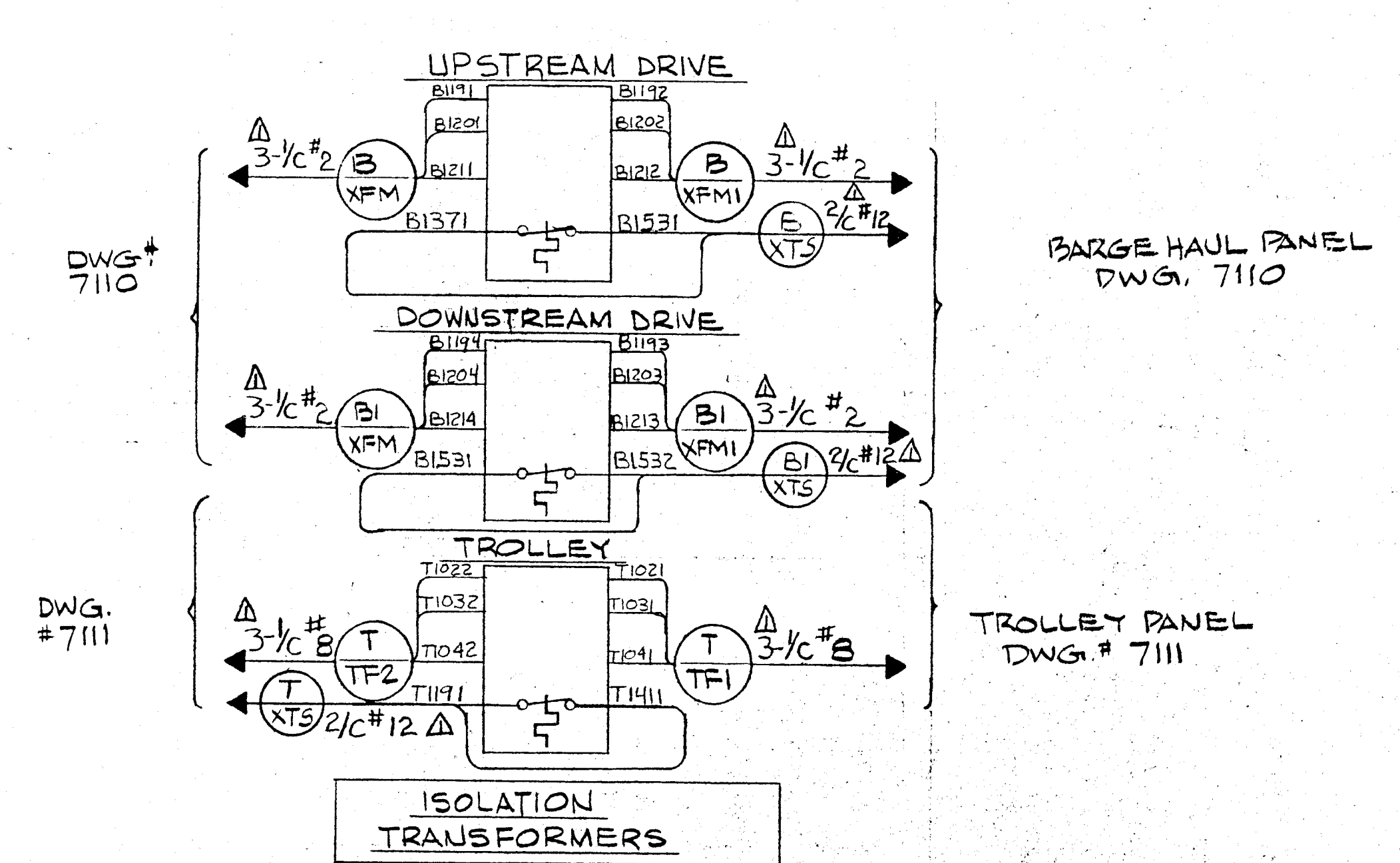


UPSTREAM

BARGE HAUL



DOWNSTREAM

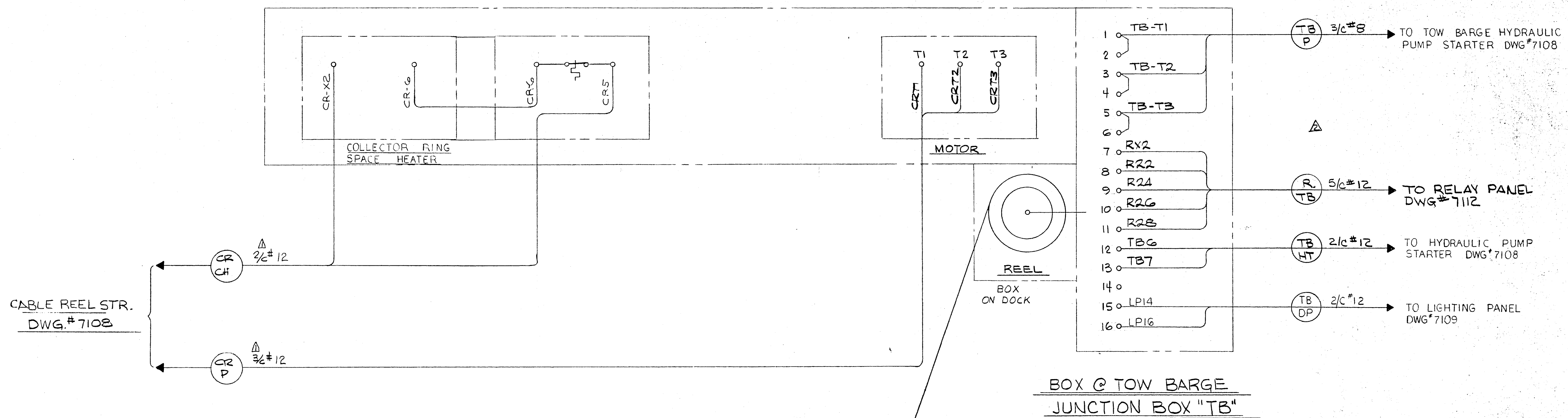


BARGE HAUL PANEL DWG. 7110

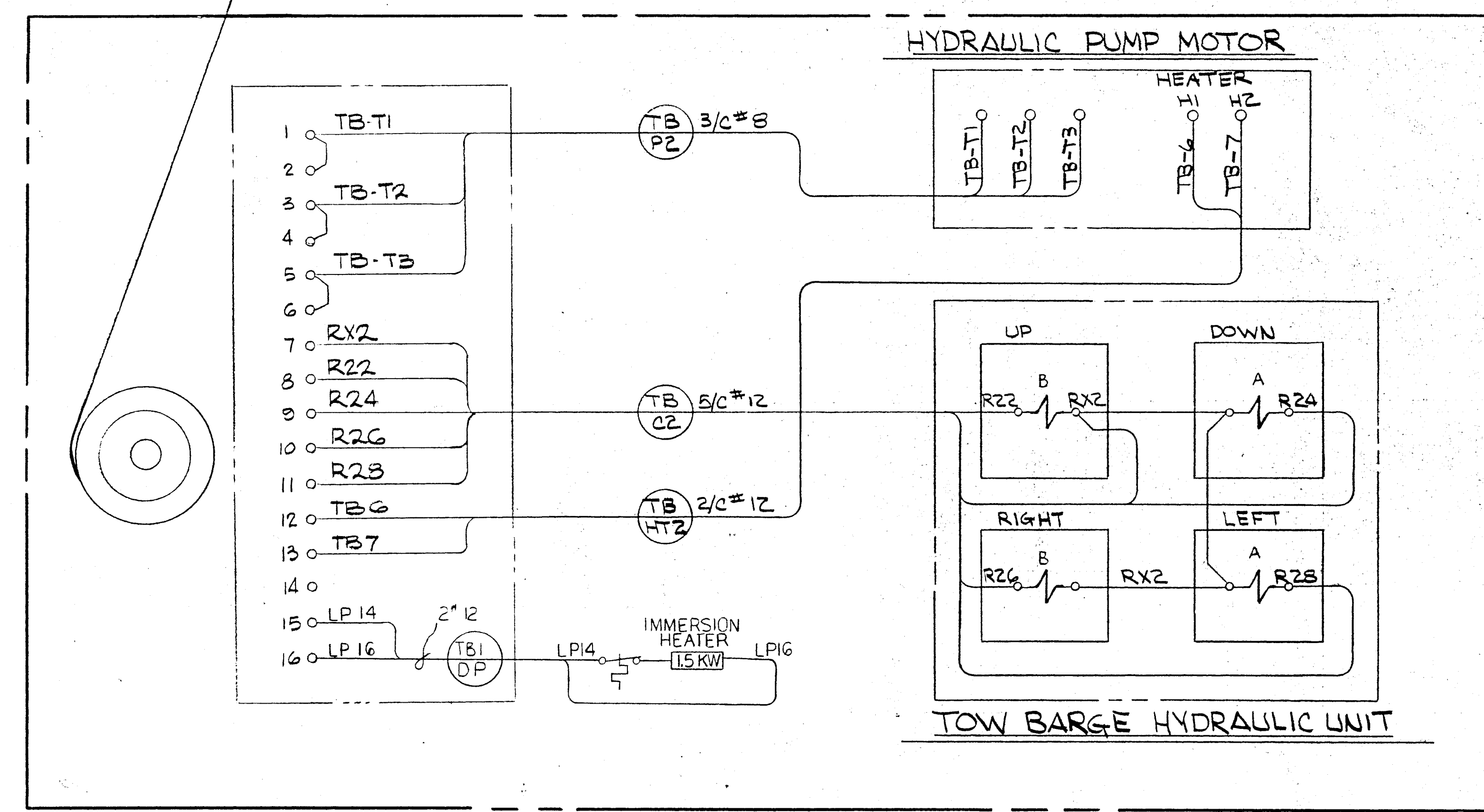
TROLLEY PANEL DWG. # 7111

DAVID VOLKERT & ASSOCIATES
 Recommended for Approval: _____
 Approved As Submitted: _____
 Approved Except As Noted: _____
 Revised and Resubmit: _____
 Disapproved: _____
 Date: 9-2-82
 APPROVAL IS FOR GENERAL LAYOUT ONLY, AND IN NO WAY RELIEVES THE CONTRACTOR OR SUPERVISOR OF HIS RESPONSIBILITY FOR THE ACCURACY OF THE DRAWINGS, DETAILS OR WORK COVERED. CONTRACTOR SHALL VERIFY ALL DIMENSIONS, QUANTITIES AND JOB CONDITIONS.

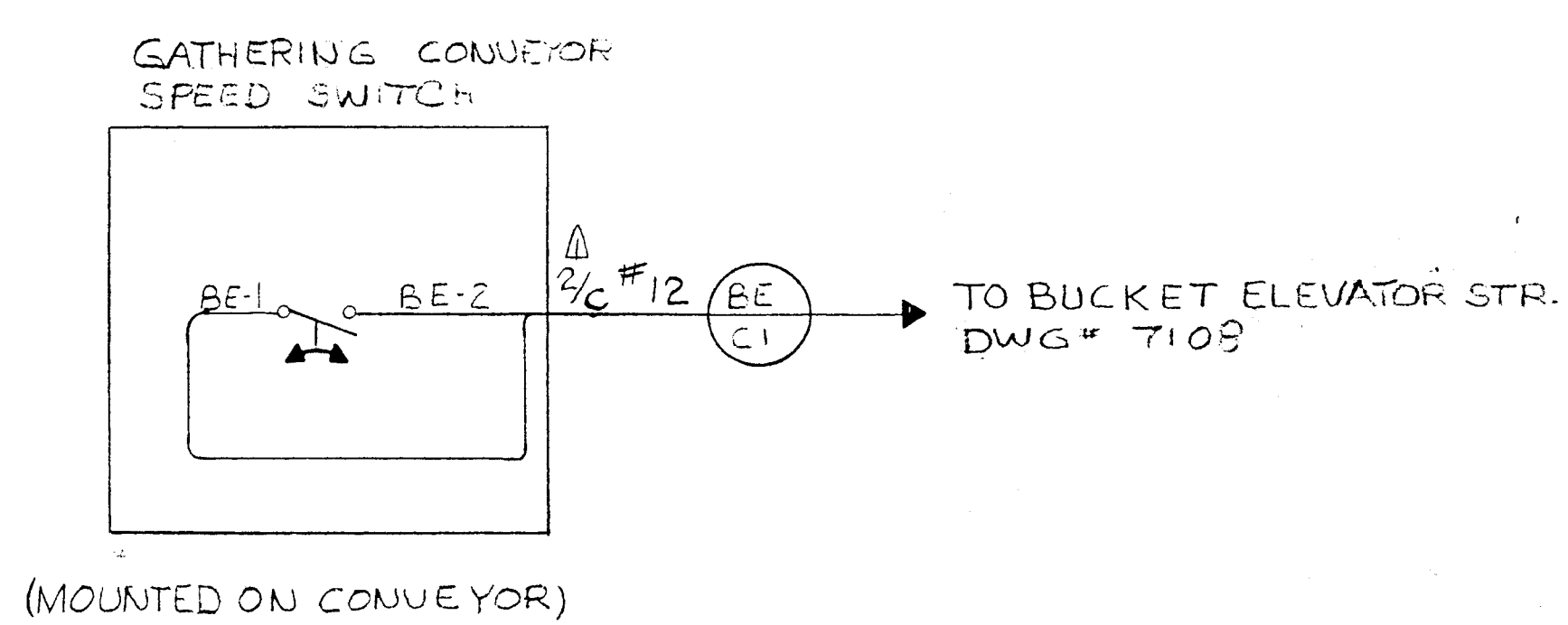
6440-3-7113			
HEYL & PATTERSON, INC. CONTRACTING ENGINEERS			
BUCKET ELEVATOR BARGE UNLOADER			
BARGE HAUL & TROLLEY INTERCONNECTION			
FOR INDUSTRIAL DEVELOPMENT BOARD OF THE CITY OF MOBILE, ALABAMA (ALABAMA STATE DOCKS DEPT. PROJECT)			
REV #	DATE	NAME	DESCRIPTION
2	12-82	MDM	ADDED WIRE SIZE
THIS DRAWING IS THE PROPERTY OF HEYL & PATTERSON, INC., AND FURNISHED IN CONFIDENCE FOR TEMPORARY USE AND TO BE RETURNED THEREAFTER IF REQUESTED. NOT TO BE COPIED OR DISCLOSED TO OTHERS WITHOUT THE EXPRESS CONSENT OF HEYL & PATTERSON, INC.			
DIVISION	71	SCALE	1/4"
MADE	LEB	DATE	8-21-81
CHECKED	WJK	DATE	7-23-82
APPROVED	WJK	DATE	JUL 27 1982



CABLE REEL



ON TOW BARGE



HEYL & PATTERSON & ASSOCIATES	
By: Cole	Date: 7-2-82
Checked: [Signature]	Date: 7-2-82

APPROVAL IS FOR ORIGINAL PRINT ONLY, AND NO NEW FEES AS THE CONTRACTOR OR SUPPLIER OF THE PROJECTOR BY FOR THE APPROVAL OF THE DRAWINGS, TERMS & OF WORK ORDER, CONTRACTOR SHALL VERIFY ALL DIMENSIONS, QUANTITIES AND JOB CONDITIONS.

6440-3-7114

HEYL & PATTERSON, INC.
CONTRACTING ENGINEERS

BUCKET ELEVATOR BARGE UNLOADER

TOW BARGE INTERCONNECTIONS FOR INDUSTRIAL DEVELOPMENT BOARD OF THE CITY OF MOBILE, ALABAMA (ALABAMA STATE DOCKS DEPT PROJECT)

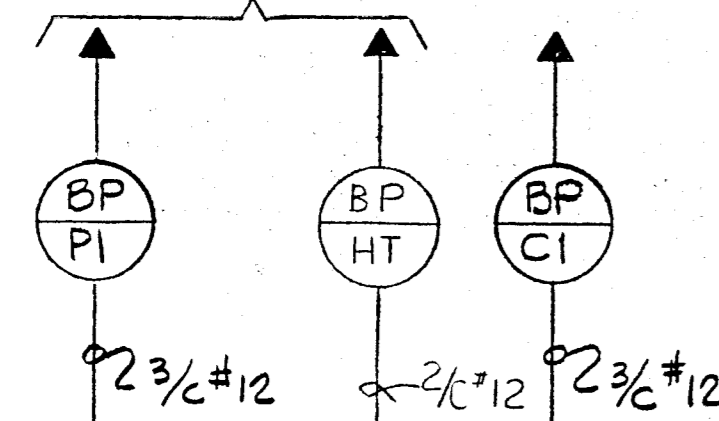
5-3-82 C.E. REDRAWN
2-12-82 MDM ADDED WIRE SIZE

REV #	DATE	NAME	DESCRIPTION
1	5-3-82	C.E.	REDDRAWN
2	2-12-82	MDM	ADDED WIRE SIZE

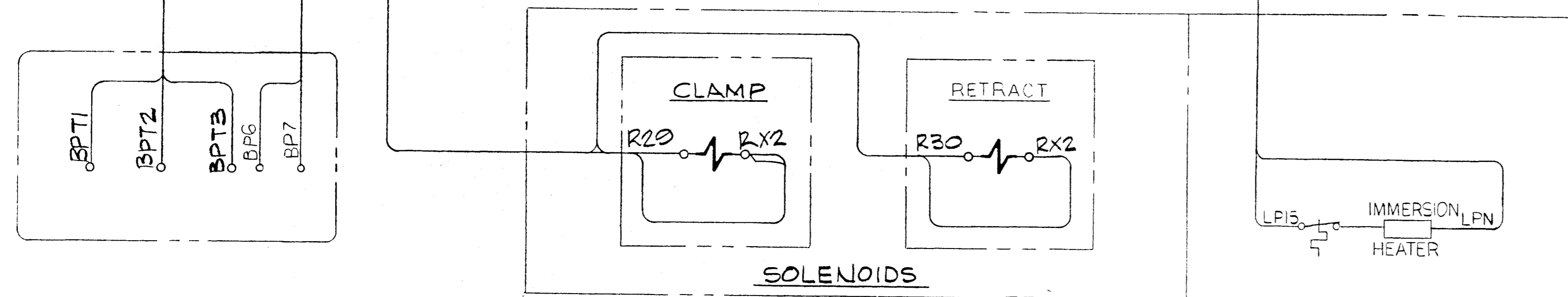
THIS DRAWING IS THE PROPERTY OF HEYL & PATTERSON, INC., AND IS TO BE RETURNED TO HEYL & PATTERSON, INC. IF REQUESTED, NOT TO BE COPIED OR DISCLOSED TO OTHERS WITHOUT THE EXPRESS CONSENT OF HEYL & PATTERSON, INC.

DIVISION: 71 SCALE: 1/8" = 1'-0"
MADE LES DATE: 2-15-82
CHECKED: [Signature] DATE: 7-14-82
APPROVED: [Signature] DATE: 7-14-82

TO M.C.C. PUMP STARTER DWG. 7100



TO RELAY PANEL DWG. 7112



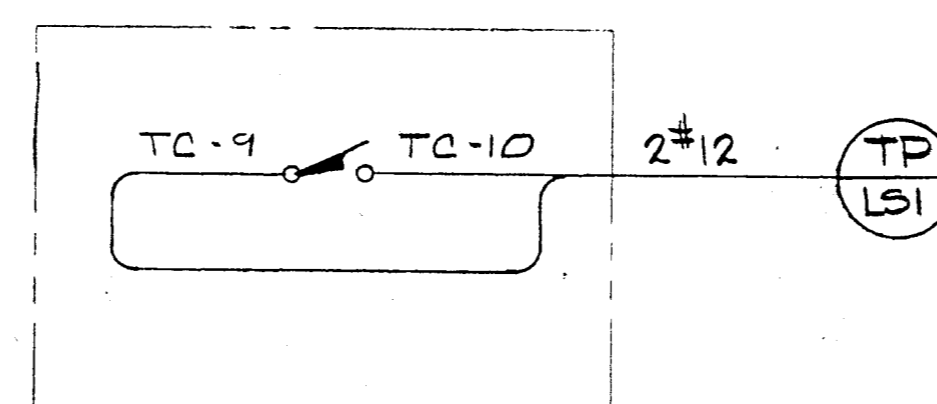
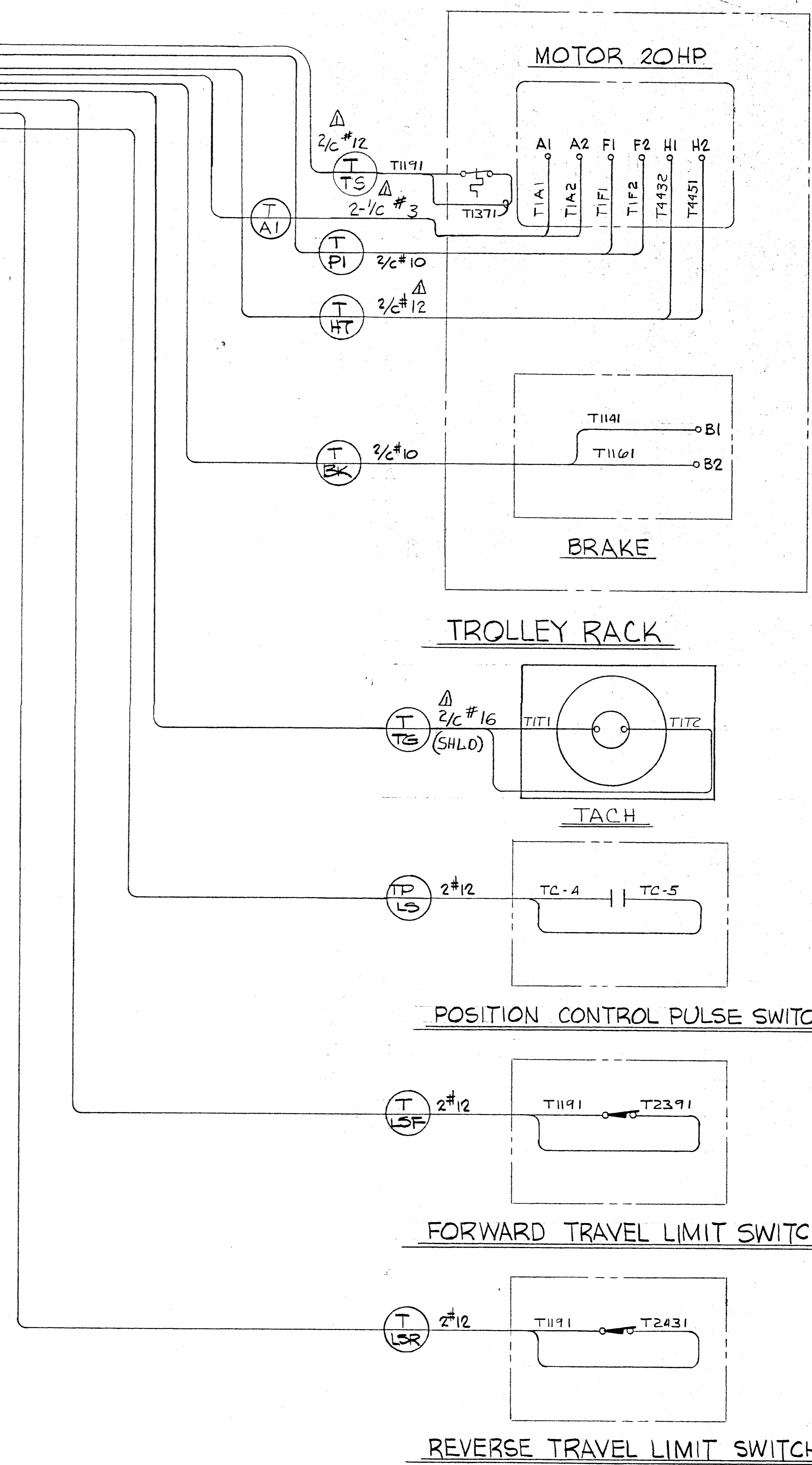
BARGE POSITIONER PUMP UNIT
(ON OUTBOARD CELL)

TO TROLLEY CONTROL PNL. DWG. # 7111
TO OPERATOR'S CAB DWG. # 7117

TO LIGHTING PANEL DWG. 7109



PULL BOX

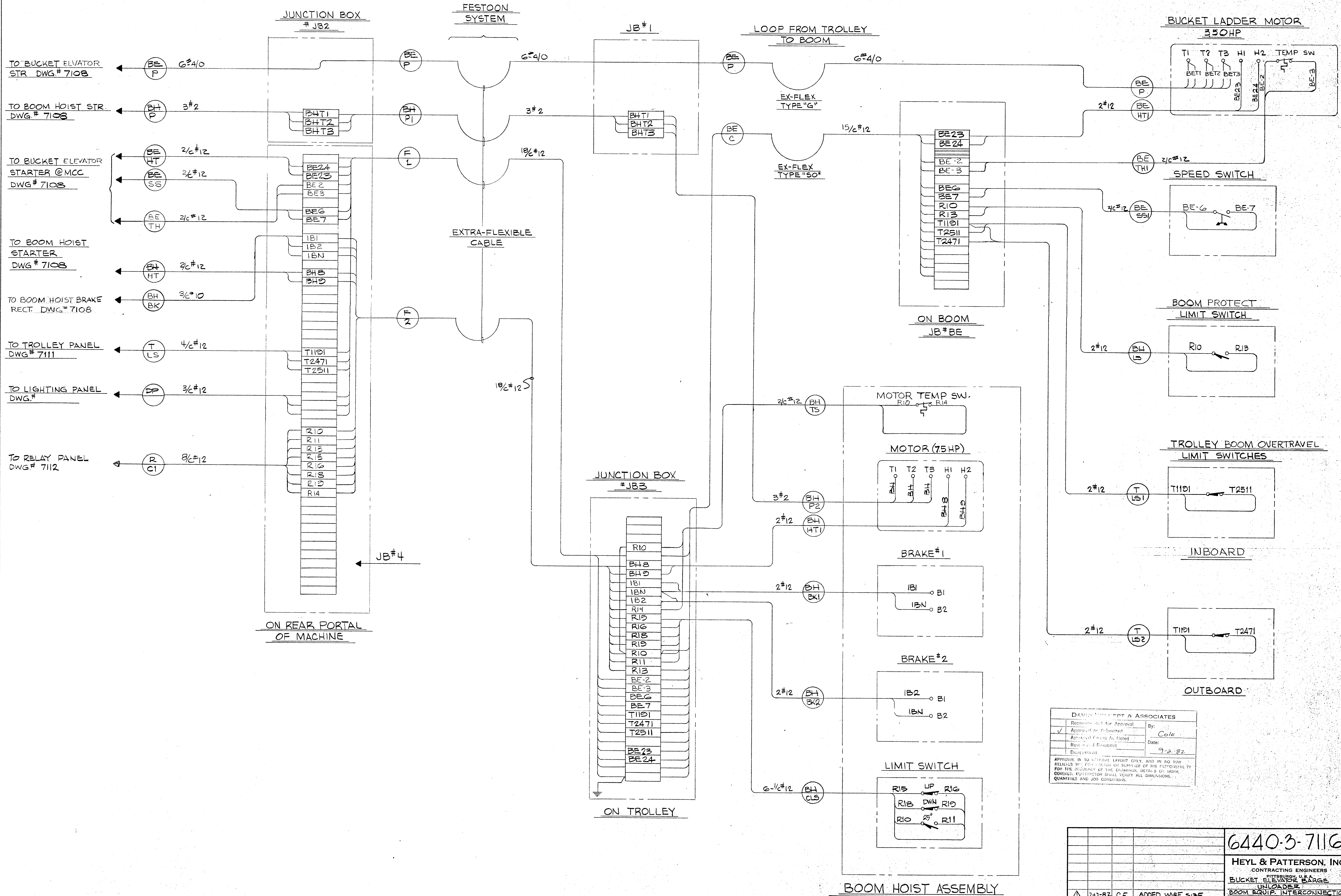


POSITION CONTROL RESET LIMIT SWITCH

D. AND VOJKERT & ASSOCIATES	
Recommended for Approval	By: <i>Cole</i>
Approved As Submitted	Date: <i>9-2-82</i>
Approved Except As Noted	
Revise and Resubmit	
Disapproved	

APPROVAL IS TO MECHANICAL LAYOUT ONLY, AND IN NO WAY RELEASES THE CONTRACTOR OR SUPPLIER OF HIS RESPONSIBILITY FOR THE ACCURACY OF THE DRAWINGS, REFS. & WORK CONTROL. CONTRACTOR SHALL VERIFY ALL DIMENSIONS, QUANTITIES AND ALL CONDITIONS.

6440-3-7115			
HEYL & PATTERSON, INC. CONTRACTING ENGINEERS			
BUCKET ELEVATOR BARGE			
TROLLEY HOIST INTERCONNECTIONS			
FOR INDUSTRIAL DEVELOPMENT BOARD OF THE CITY OF MOBILE, ALABAMA (ALABAMA STATE DOCKS DEPT. PROJECT)			
REV #	DATE	NAME	DESCRIPTION
1	5-3-82	AKS	ADDED POSITIONER PUMP
2	2-12-82	MOM	ADDED WIRE SIZE
THIS DRAWING IS THE PROPERTY OF HEYL & PATTERSON, INC. AND IS TO BE RETURNED THEREAFTER IF REQUESTED. NOT TO BE COPIED OR DISCLOSED TO OTHERS WITHOUT THE EXPRESS CONSENT OF HEYL & PATTERSON, INC.		DIVISION: <i>LEB</i>	SCALE: <i>1/8"</i>
MADE: <i>LEB</i>		CHECKED: <i>AKS</i>	DATE: <i>10-2-82</i>
APPROVED: <i>AKS</i>			JUL 27 1982



DAVID M. HEYLT & ASSOCIATES
 Recommended for Approval: _____
 Approved as Submitted: _____
 Approved for Use as Listed: _____
 Recommended for Use: _____
 Disapproved: _____

By: Cole
 Date: 9-2-82

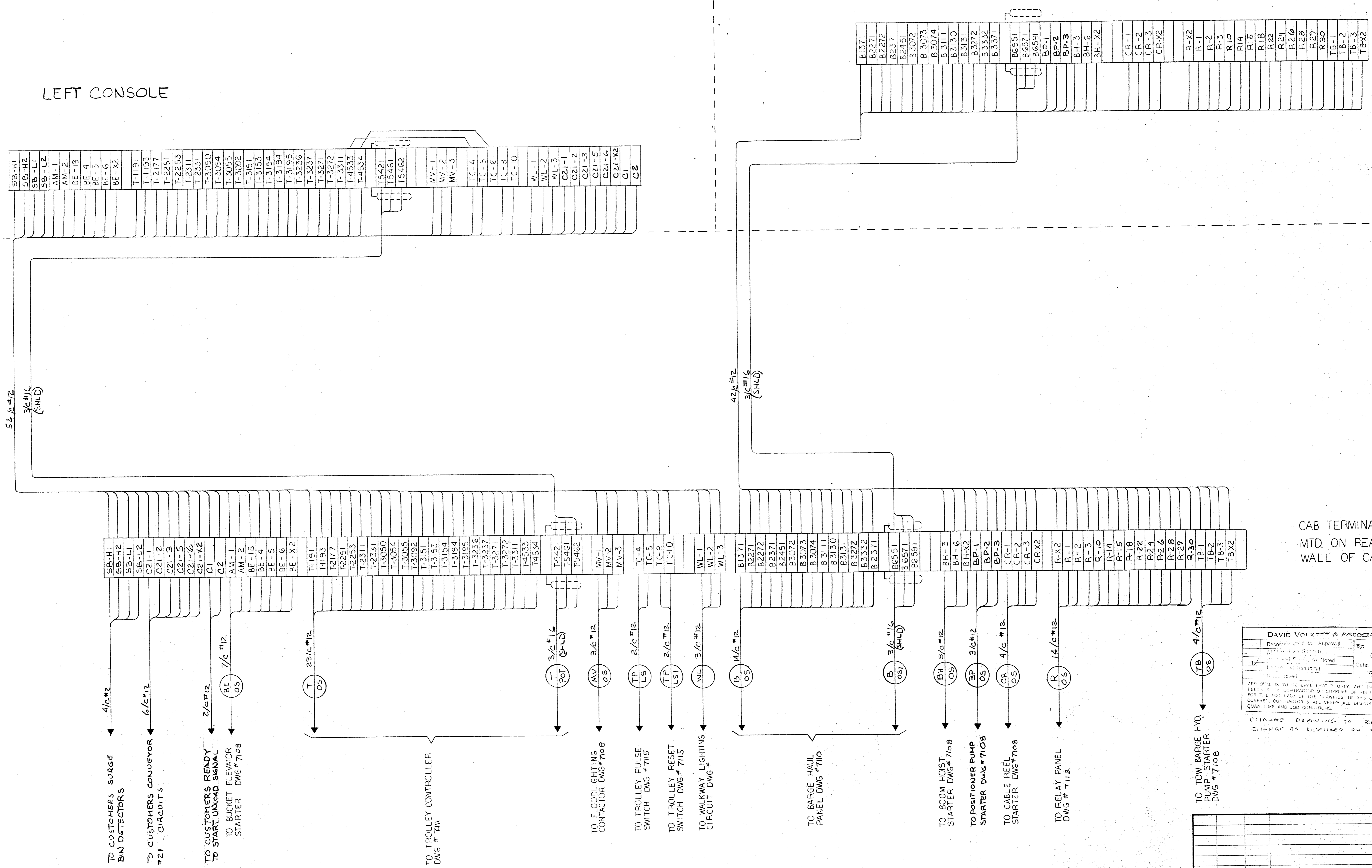
APPROVAL IS TO REMAIN EVIDENT ONLY, AND IN NO WAY
 RELIEVES THE CONTRACTOR AND SUPPLIER OF HIS RESPONSIBILITY
 FOR THE ACCURACY OF THE DRAWINGS, DETAILS OR WORK.
 CONTRACTORS AND SUPPLIERS SHALL VERIFY ALL DIMENSIONS,
 QUANTITIES AND JOB CONDITIONS.

6440-3-7116	
HEYL & PATTERSON, INC. CONTRACTING ENGINEERS	
BUCKET ELEVATOR BARGE UNLOADER	
BOOM EQUIP. INTERCONNECTIONS FOR INDUSTRIAL DEVELOPMENT BOARD OF THE CITY OF MOBILE, ALABAMA	
ALABAMA STATE DOCKS DEPT. PROJECT	
DIVISION: 71	SCALE: 1/8"
DATE: 8-15-81	DATE: 8-15-81
CHECKED: JLEB	APPROVED: [Signature]
REV #	DATE NAME DESCRIPTION
2-1-82	C.F. ADDED WIRE SIZE

HEYL & PATTERSON, INC. 1000 W. WASHINGTON ST. MOBILE, ALA. 36688

LEFT CONSOLE

RIGHT CONSOLE



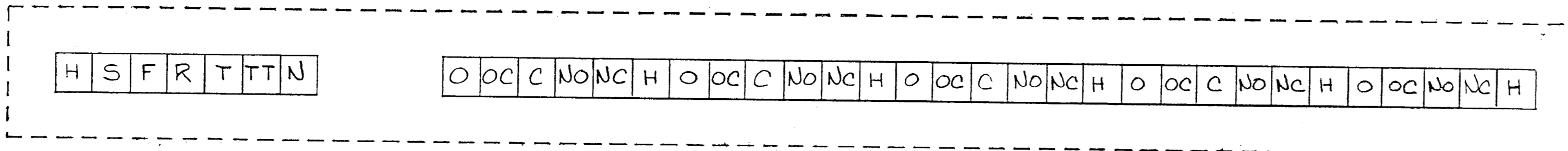
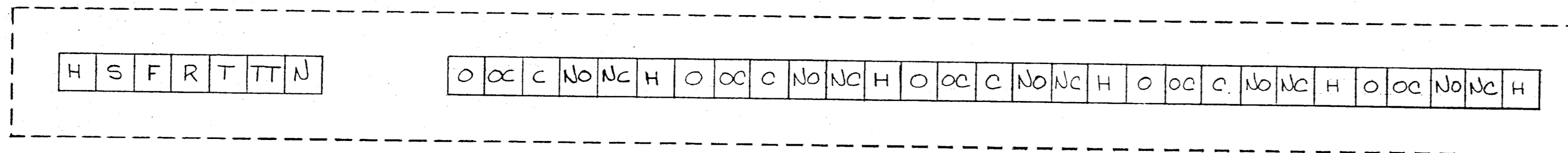
CAB TERMINALS
MTD. ON REAR
WALL OF CAB

DAVID VOITKOFF & ASSOCIATES	
Recommended for Approval	By: Cole
As Noted	Date: 9-2-82
Quantity of Material	
Quantity of Work	

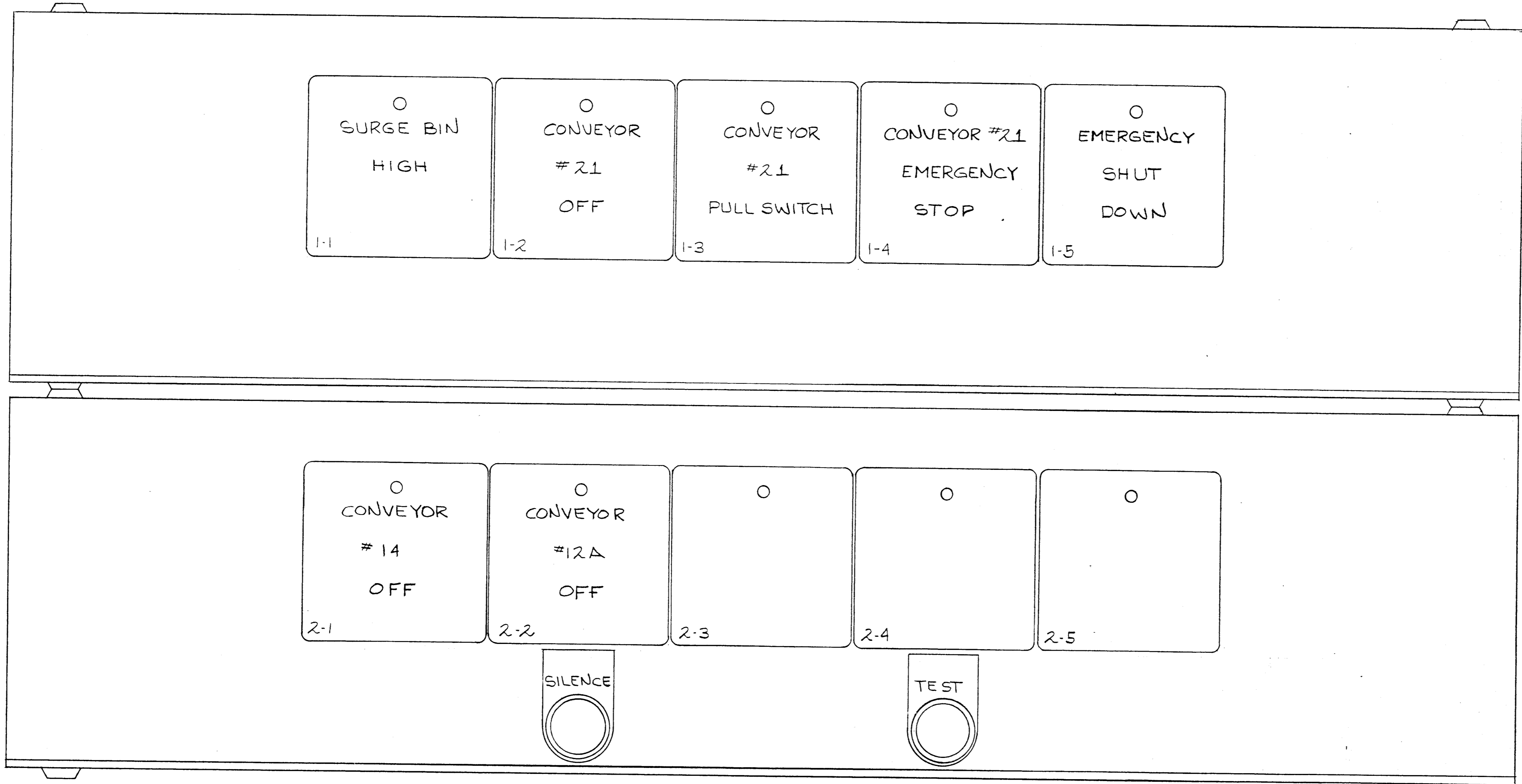
APPROVAL IS TO ORIGINAL DRAWING ONLY. ANY CHANGES TO THIS DRAWING SHALL BE MADE BY THE ORIGINAL DESIGNER OR HIS REPRESENTATIVE. THE CONTRACTOR SHALL VERIFY ALL DIMENSIONS, QUANTITIES AND JOB CONDITIONS.

CHANGE DRAWING TO REFLECT CHANGE AS REQUIRED ON SHEET 7104-7106

6440-3-7117	
HEYL & PATTERSON, INC. CONTRACTING ENGINEERS PITTSBURGH, U.S.A.	
BUCKET ELEVATOR BARGE	
OPERATORS CAB INTERCONNECT	
FOR INDUSTRIAL DEVELOPMENT BOARD OF THE CITY OF MOBILE, ALA.	
THIS DRAWING IS THE PROPERTY OF HEYL & PATTERSON, INC. AND FURNISHED IN CONFIDENCE FOR TEMPORARY USE AND TO BE RETURNED THEREAFTER IF REQUESTED. NOT TO BE COPIED OR DISCLOSED TO OTHERS WITHOUT THE EXPRESS CONSENT OF HEYL & PATTERSON, INC.	SCALE: 1/2" = 1'-0"
REV #	DATE
5-3-82	REORAWN
2-15-82	C.F. ADDED WIRE SIZE
NAME	DESCRIPTION
MADE: M.A. KIEFER	DATE: 1-2-82
CHECKED: J.A.H.	DATE: 1-2-82
APPROVED: C.S.K.	DATE: 1-2-82



TERMINAL STRIP LAYOUT



ANNUNCIATOR LAYOUT

DAVID VOI KERT & ASSOCIATES
 Recommended for Approval
 Approved As Submitted By: Cole
 Revised and Resubmit Date: 9-2-82
 Disapproved

APP. QUAL. IS TO GENERAL LAYOUT ONLY, AND IN NO WAY RELIEVES THE CONTRACTOR OR SUPPLIER OF HIS RESPONSIBILITY FOR THE ACCURACY OF THE DRAWINGS, DETAILS, WORK COVERED, CONTRACTOR SHALL VERIFY ALL DIMENSIONS, QUANTITIES AND JOB CONDITIONS.

Hold for info from V. Stewart

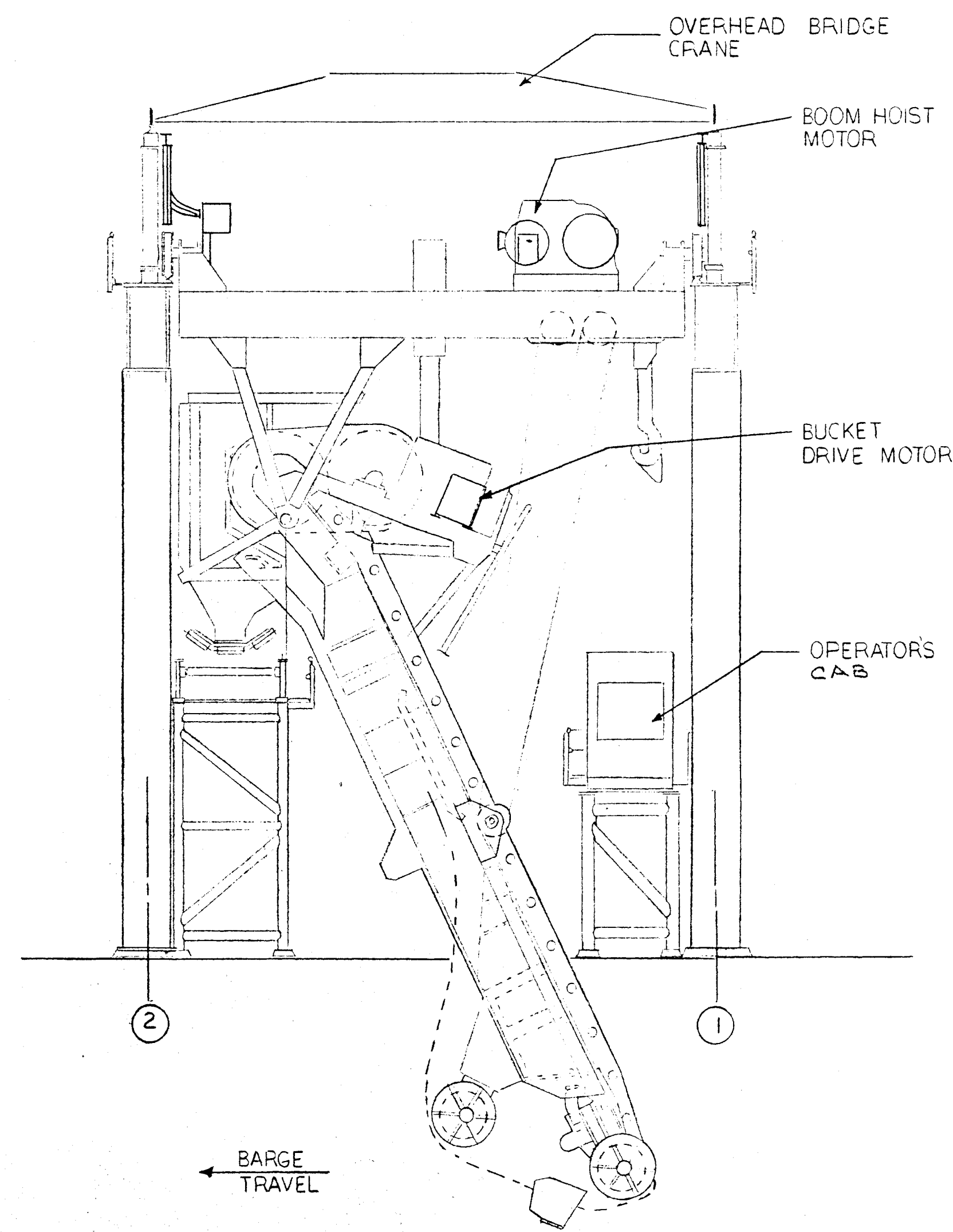
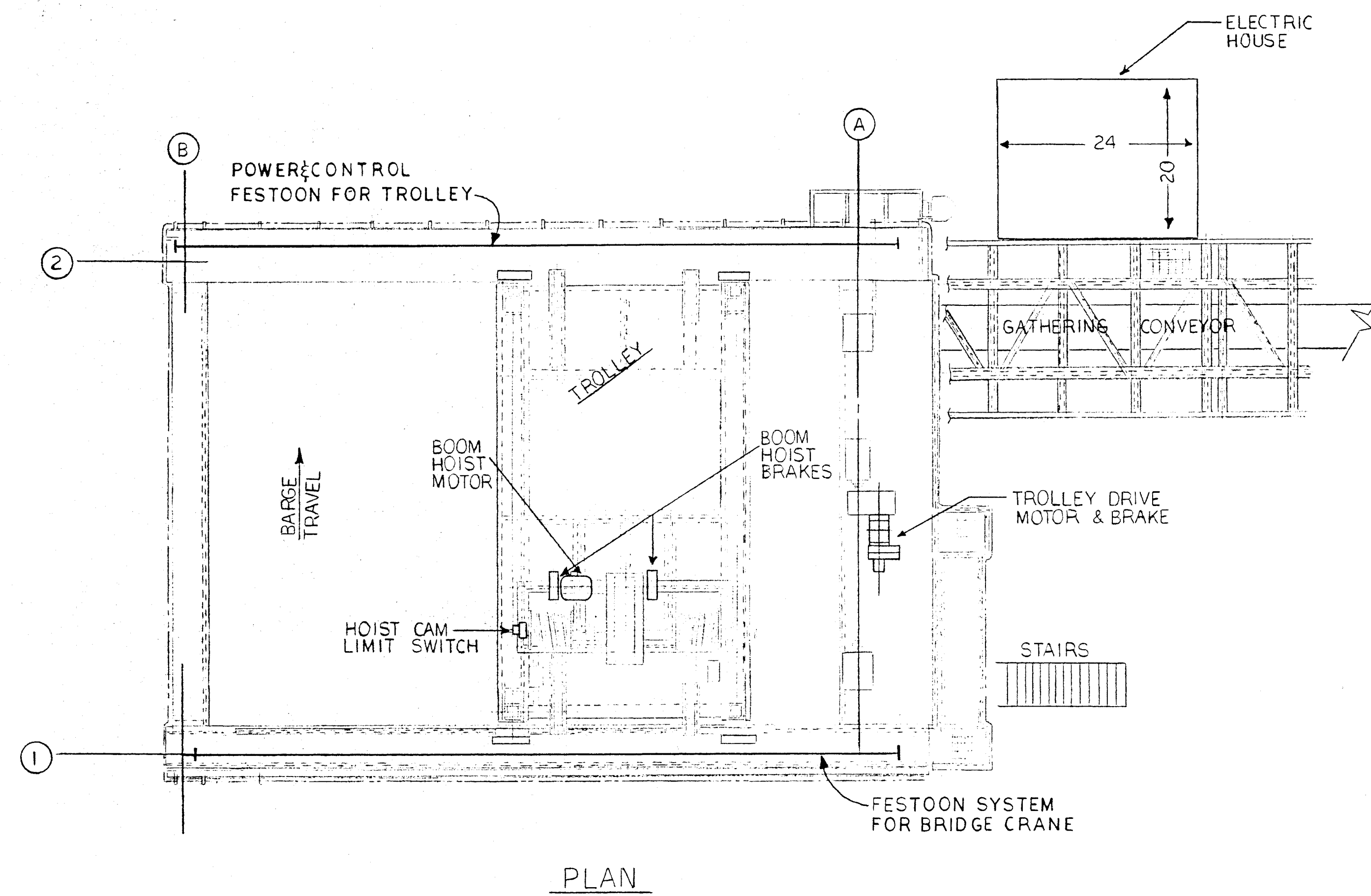
REV #	DATE	NAME	DESCRIPTION

6440-3-7118

HEYL & PATTERSON, INC.
 CONTRACTING ENGINEERS
 PITTSBURGH, U.S.A.
 BUCKET ELEVATOR BARGE
 UNLOADER
 ANNUNCIATOR LAYOUT
 FOR INDUSTRIAL DEVELOPMENT BOARD
 OF THE CITY OF MOBILE, AL
 (ALABAMA STATE DOCK DEPT PROJ)

DIVISION: 71
 MADE: MARK ZILAVY
 CHECKED: ZCT
 APPROVED: JUL 29 1982

THIS DRAWING IS THE PROPERTY OF HEYL & PATTERSON, INC. AND FURNISHED IN CONFIDENCE FOR TEMPORARY USE AND TO BE RETURNED THEREAFTER IF REQUESTED. NOT TO BE COPIED OR DISCLOSED TO OTHERS WITHOUT THE EXPRESS CONSENT OF HEYL & PATTERSON, INC.



SECTION FACING INBOARD CELL

- 6440-3-7101 - SINGLE LINE
- 7102 - SINGLE LINE
- 7103 - MOTOR CONTROL CENTER SCHEMES
- 7104 - MOTOR CONTROL CENTER SCHEMES
- 7105 - MOTOR CONTROL CENTER SCHEMES
- 7106 - RELAY PANEL SCHEMES
- 7107 - CONSOLE LAYOUT
- 7108 - MOTOR CONTROL CENTER INTERCONNECTION
- 7109 - MOTOR CONTROL CENTER INTERCONNECTION
- 7110 - BARGE HAUL INTERCONNECTION
- 7111 - TROLLEY PANEL INTERCONNECTION
- 7112 - RELAY PANEL INTERCONNECTION
- 7113 - BARGE HAUL DRIVE INTERCONNECTION
- 7114 - TOW BARGE INTERCONNECTION
- 7115 - TROLLEY DRIVE INTERCONNECTION
- 7116 - BOOM EQUIPMENT INTERCONNECTION
- 7117 - CAB TERMINAL BOARD INTERCONNECTION
- 7118 - ANNUNCIATOR INTERCONNECTION
- 7119 - GENERAL ARRANGEMENT OF MACHINE
- 7120 - BARGE HAUL & TOW BARGE LAYOUT
- 7121 - GENERAL PLAN FOR CONDUIT
- 7122 - TOP PLAN OF MACHINE
- 7123 - BOOM CONDUIT DETAILS
- 7124 - FESTOON AND DETAILS
- 7125 - DETAILS & FEEDER CONSOLE
- 7126 - GENERAL LIGHTING

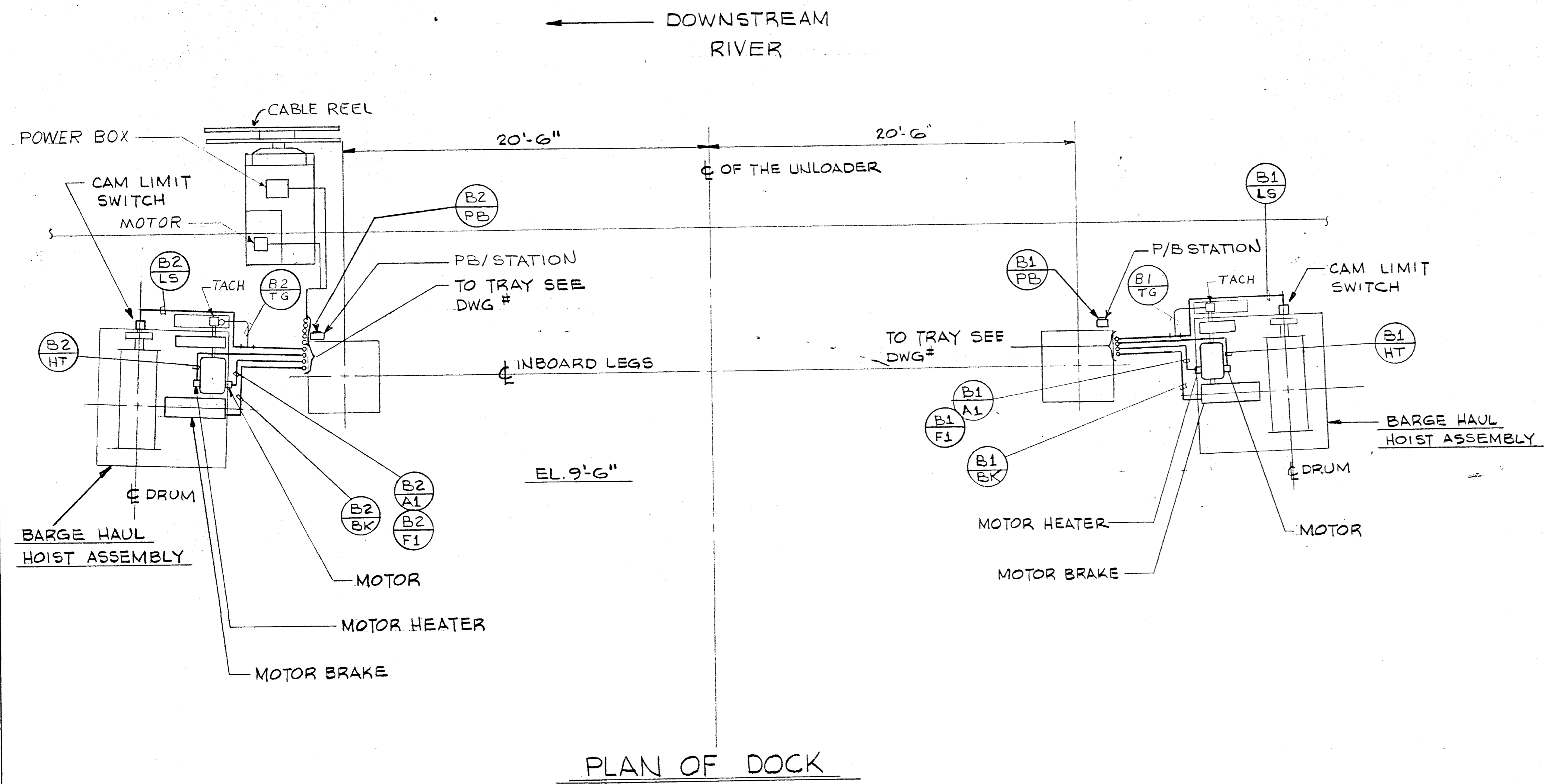
NOTES:

1. ALL CONDUIT & CABLE TRAY ARE SHOWN DIAGRAMMATICALLY. LOCATIONS OF ALL EQUIPMENT MUST BE VERIFIED AND THE ELECTRICAL INSTALLATION COMPLETED WITHOUT INTERFERENCE.
2. NUMBER OF CONDUCTORS SHOWN ON DWGS ARE THE REQUIRED NUMBER FOR CIRCUIT. CONTRACTOR TO VERIFY PLANT SPARE REQUIREMENTS IF ANY, AND SIZE THE MULTI-CONDUCTOR CABLE AT HIS OWN DISCRETION.
3. PULL BOX & JUNCTION BOX SIZES ARE TO MEET THE LOCAL SITE CODE REQUIREMENTS WITH NEMA 4X AS A MINIMUM.
4. CONDUIT TO BE RIGID STEEL, HEAVY WALL, HOT DIPPED GALVANIZED, 3/4" MINIMUM SIZE.
5. LOCAL SITE REQUIREMENTS WILL BE ADHERED TO, IN THE SUPPORTING OF BOXES, CONDUIT, CABLE TRAY AND FIXTURES.
6. CONDUIT ENTERING CABLE TRAY IN AN OUTDOOR LOCATION SHALL HAVE GLAND TYPE FITTINGS.
7. CONTRACTOR TO SUPPLY ANY/ALL DEVICES OR FITTINGS NEEDED TO COMPLETE INSTALLATION; THAT ARE NOT LISTED ON H&P BILL OF MATERIALS
8. ELECTRICAL INSTALLATION TO CONFORM TO ALL LOCAL, STATE, AND NATIONAL CODES, APPLICABLE TO CONTRACT.

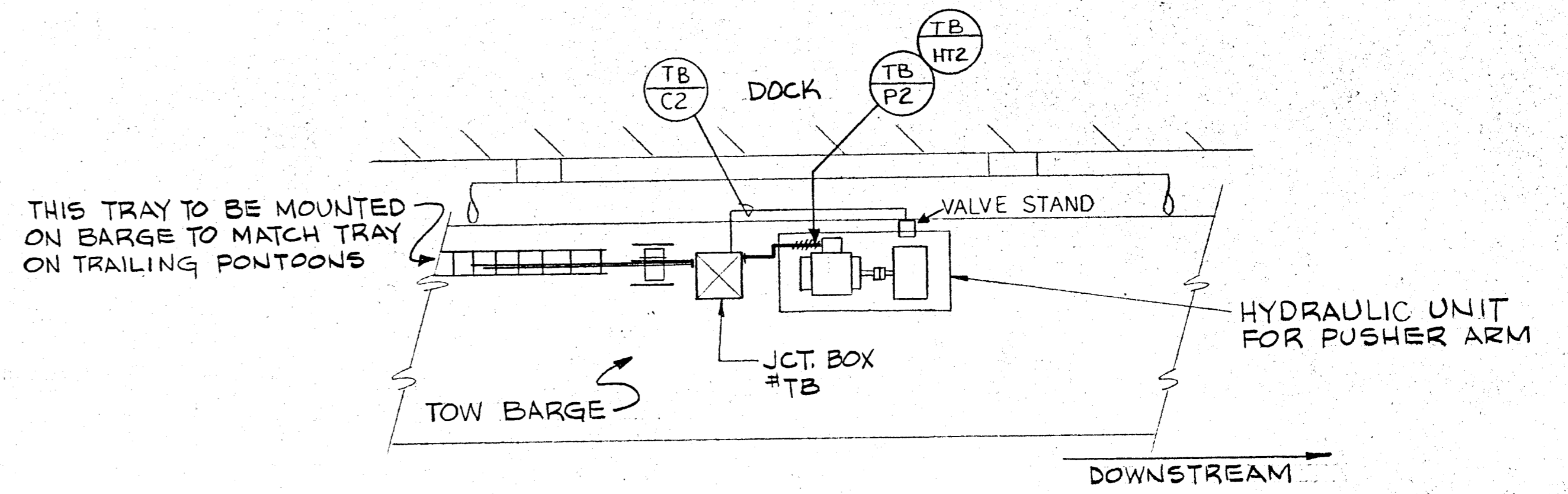
DAVID VOIKERT & ASSOCIATES	
Recommended for Approval	By:
<input checked="" type="checkbox"/> Approved As Submitted	Colg
Approved Except As Noted	Date:
Revise and Resubmit	9/2/82
Disapproved	

APPROVAL IS TO GENERAL LAYOUT ONLY, AND IN NO WAY RELEASES THE CONTRACTOR OR SUPPLIER OF HIS RESPONSIBILITY FOR THE ACCURACY OF THE DRAWINGS, DETAILS OF WORK QUANTITIES, AND JOB CONDITIONS.

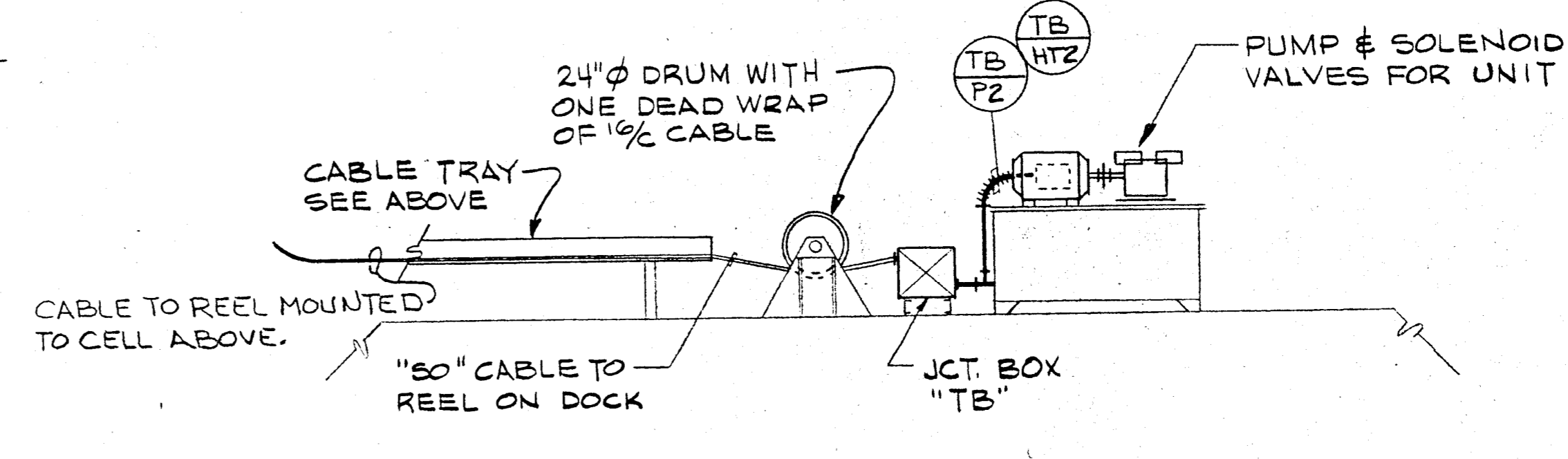
6440-3-7119			
HEYL & PATTERSON, INC. CONTRACTING ENGINEERS PITTSBURGH, U.S.A.			
UNLOADER BUCKET ELEVATOR BARGE GEN ARRGT OF MACHINE FOR INDUSTRIAL DEVELOPMENT BOARD OF THE CITY OF MOBILE, ALA.			
REV #	DATE	NAME	DESCRIPTION
THIS DRAWING IS THE PROPERTY OF HEYL & PATTERSON, INC., AND FURNISHED IN CONFIDENCE FOR TEMPORARY USE AND TO BE RETURNED THEREAFTER IF REQUESTED, NOT TO BE COPIED OR DISCLOSED TO OTHERS WITHOUT THE EXPRESS CONSENT OF HEYL & PATTERSON, INC.			
DIVISION	SCALE	DATE	
MADE	M.A. KIEFFER	12-82	
CHECKED			
APPROVED			



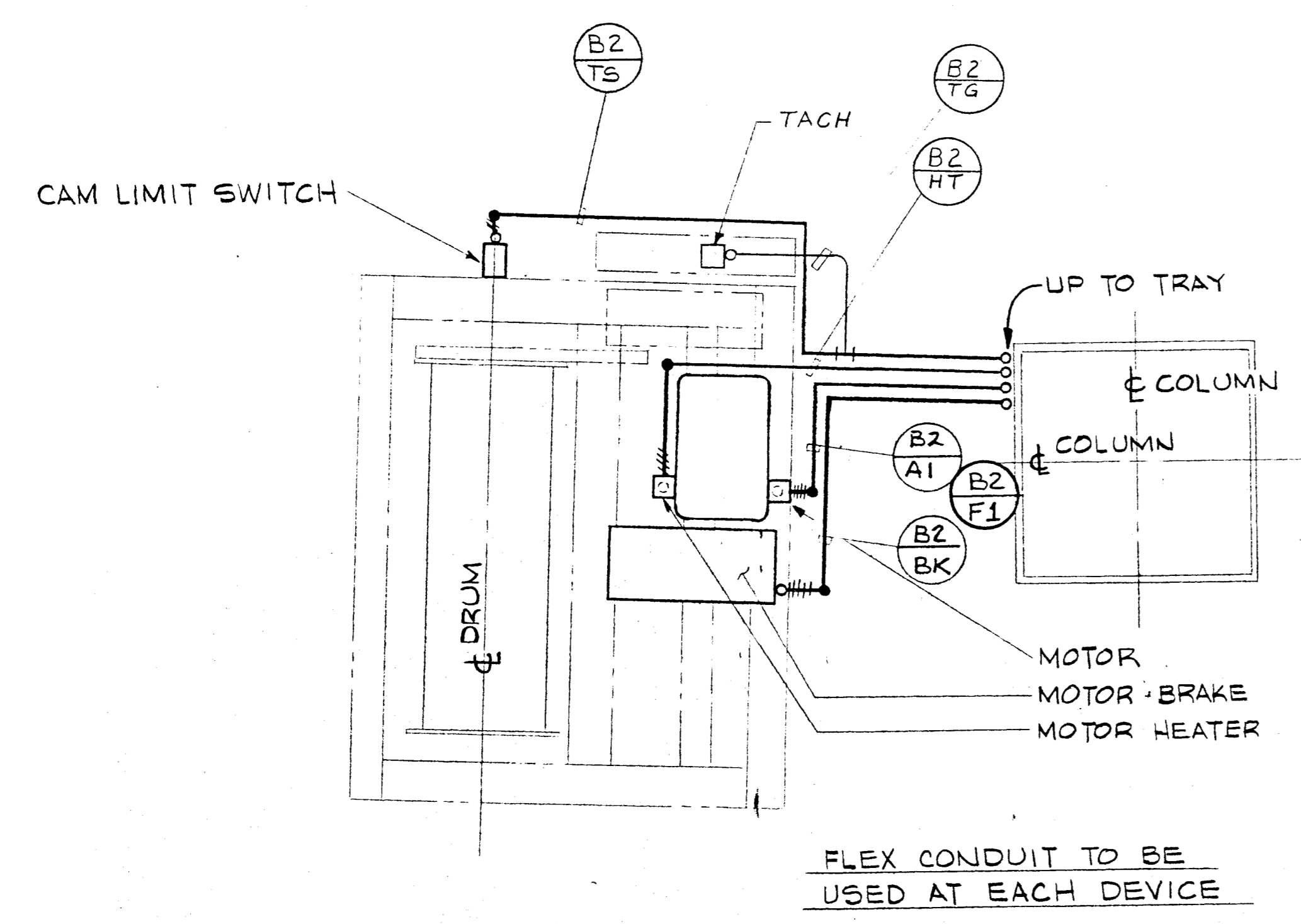
PLAN OF DOCK



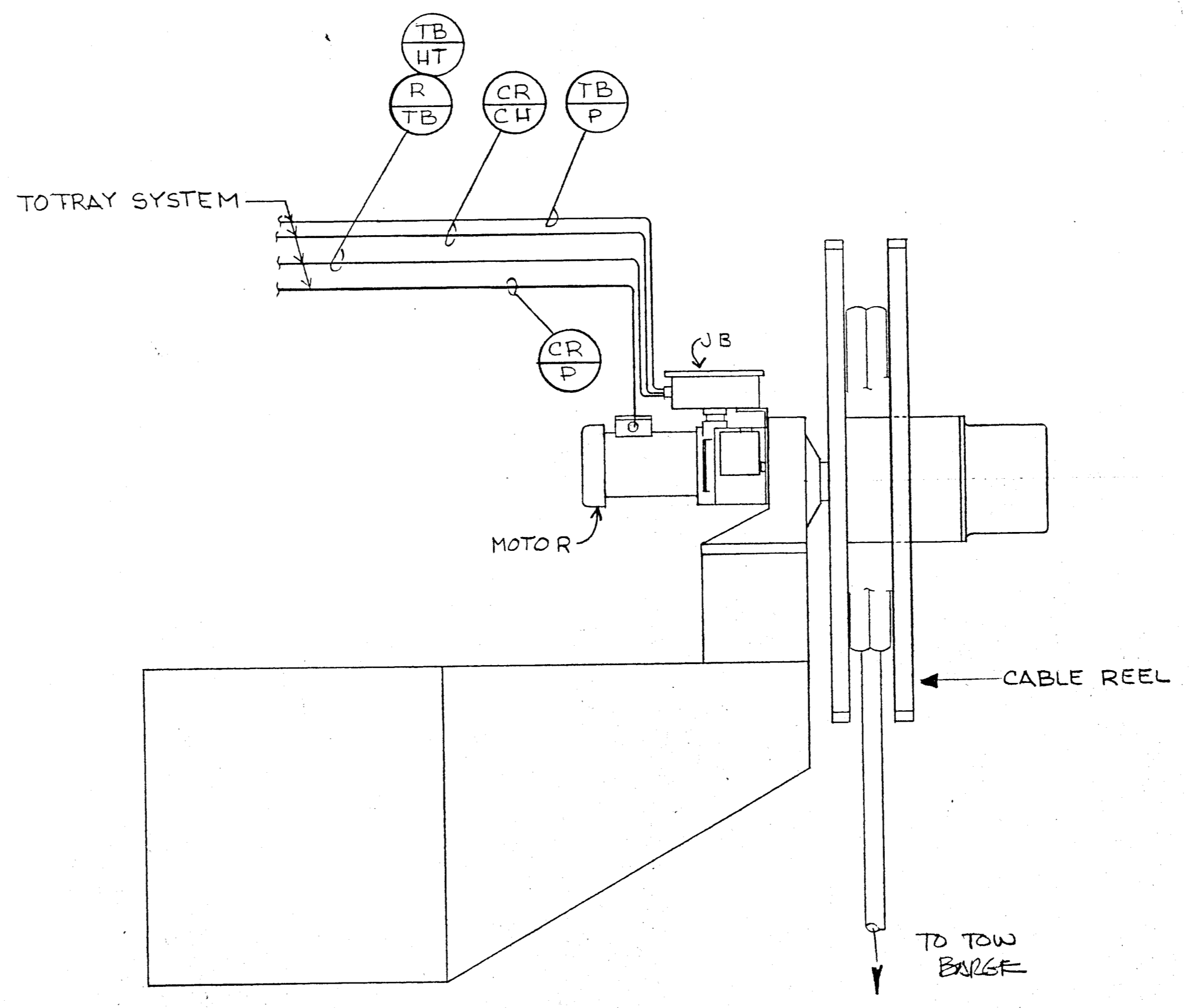
TOW BARGE PLAN



ELEVATION



DETAIL OF ONE HOIST (TYPICAL)
(HAUL HOIST UNIT SHOWN)
NTS



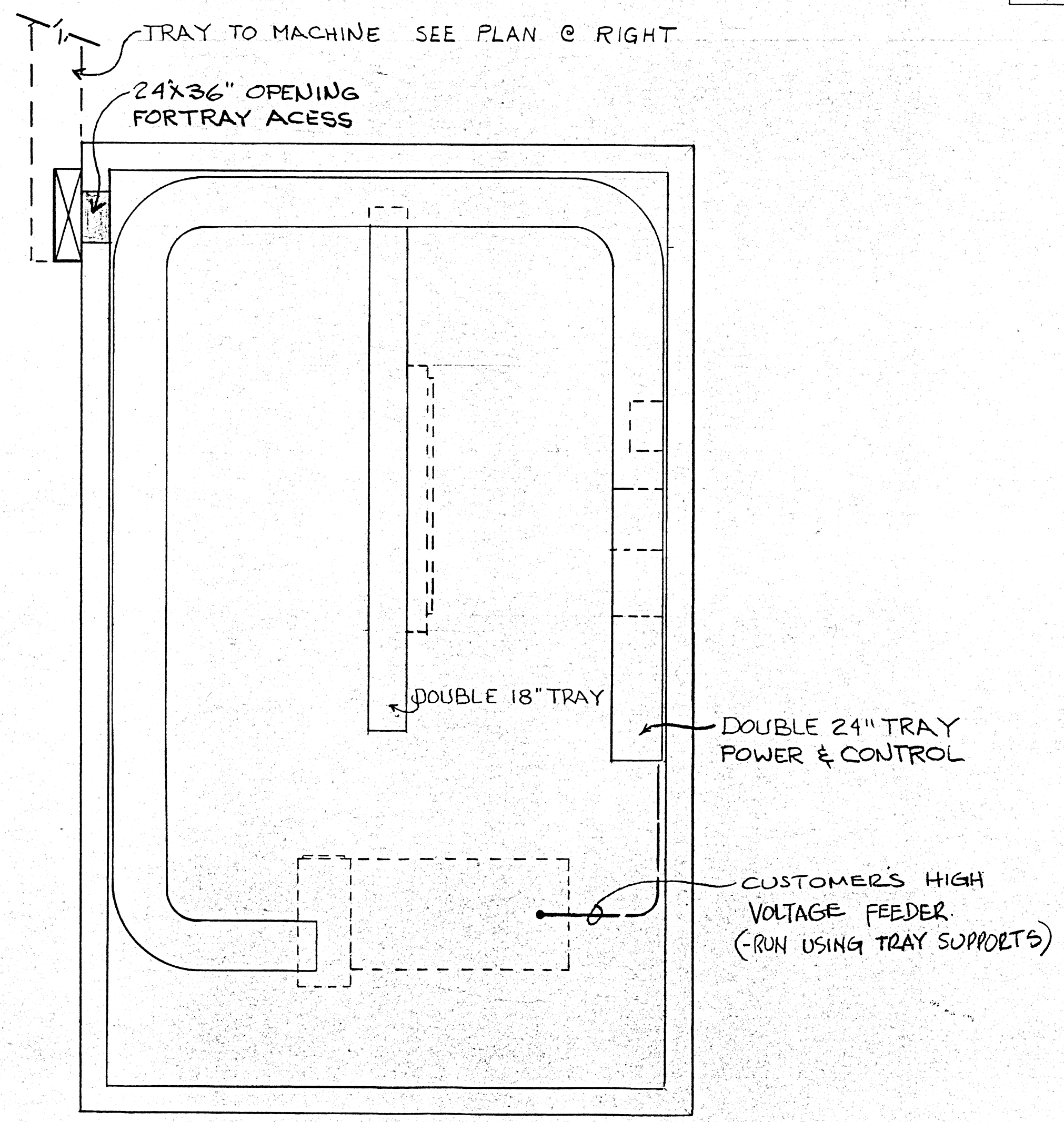
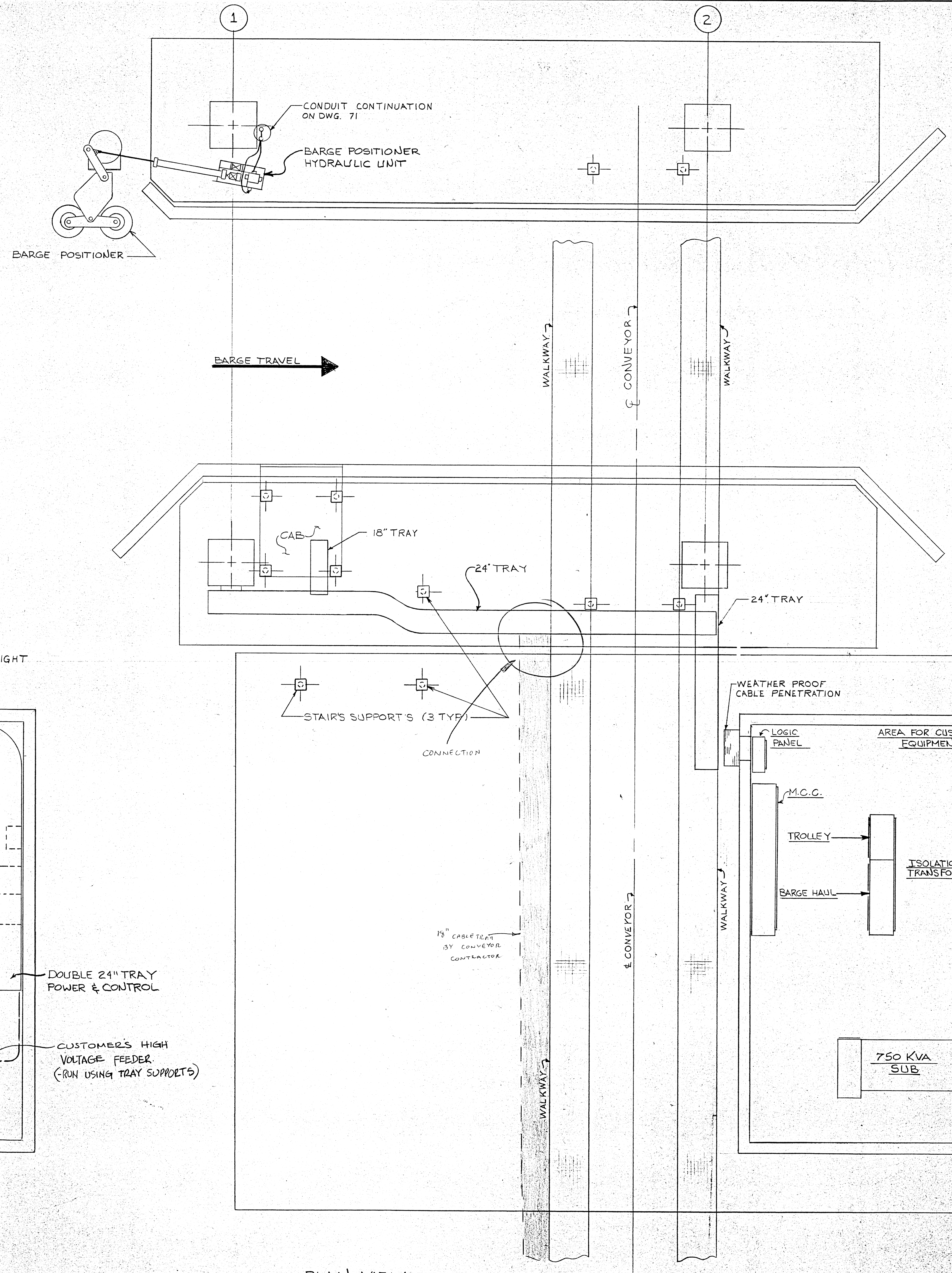
DETAIL OF CABLE REEL

DAVID VOYKERT & ASSOCIATES	
Recommended for Approval	By: _____
Approved As Submitted	Date: 9-2-82
Approved Except As Noted	By: COLE
Disapproved	

APP' OWN IS TO GENERAL LAYOUT ONLY, AND IN NO WAY RELIEVES THE CONTRACTOR OR SUPPLIER OF HIS RESPONSIBILITY FOR THE ACCURACY OF THE DRAWINGS, DETAILS OR WORK COVERED. CONTRACTOR SHALL VERIFY ALL DIMENSIONS, QUANTITIES AND JOB CONDITIONS.

SEE DWG. 7119 FOR GENERAL NOTES

6440-3-7120	
HEYL & PATTERSON, INC. CONTRACTING ENGINEERS	
BUCKET ELEVATOR BARGE UNLOADER	
BARGE HAUL & TOW BARGE LAYOUT FOR INDUSTRIAL DEVELOPMENT BOARD OF THE CITY OF MOBILE, ALABAMA (ALABAMA STATE DOCKS DEPT PROJECT)	
REV #	DATE NAME DESCRIPTION
THIS DRAWING IS THE PROPERTY OF HEYL & PATTERSON, INC. AND FURNISHED IN CONFIDENCE FOR TEMPORARY USE AND TO BE RETURNED THEREAFTER IF REQUESTED. NOT TO BE COPIED OR DISCLOSED TO OTHERS WITHOUT THE EXPRESS CONSENT OF HEYL & PATTERSON, INC.	
DIVISION: 71	SCALE: 3/4"
MADE: LEB	DATE: 9-2-82
CHECKED: [Signature]	APPROVED: [Signature]



DETAIL "A"
(TRAY ROUTING IN ELECT. HOUSE)

PLAN VIEW

DAVID VOLKERT & ASSOCIATES
 Recommended for Approval By: Cole
 Approved As Submitted Date: 9-2-82
 Revise and Resubmit
 Disapproved

APPROVAL IS TO GENERAL LAYOUT ONLY, AND IN NO WAY RELIEVES THE CONTRACTOR OR SUPPLIER OF HIS RESPONSIBILITY FOR THE ACCURACY OF THE DRAWINGS, DETAILS OR WORK PERFORMED. CONTRACTOR SHALL VERIFY ALL DIMENSIONS, QUANTITIES AND JOB CONDITIONS.

* CHANGE DRAWING AS SHOWN

Hold for approval
 JES

SEE DWG. 7119 FOR GENERAL NOTES

REV #	DATE	NAME	DESCRIPTION

6440-3-7121

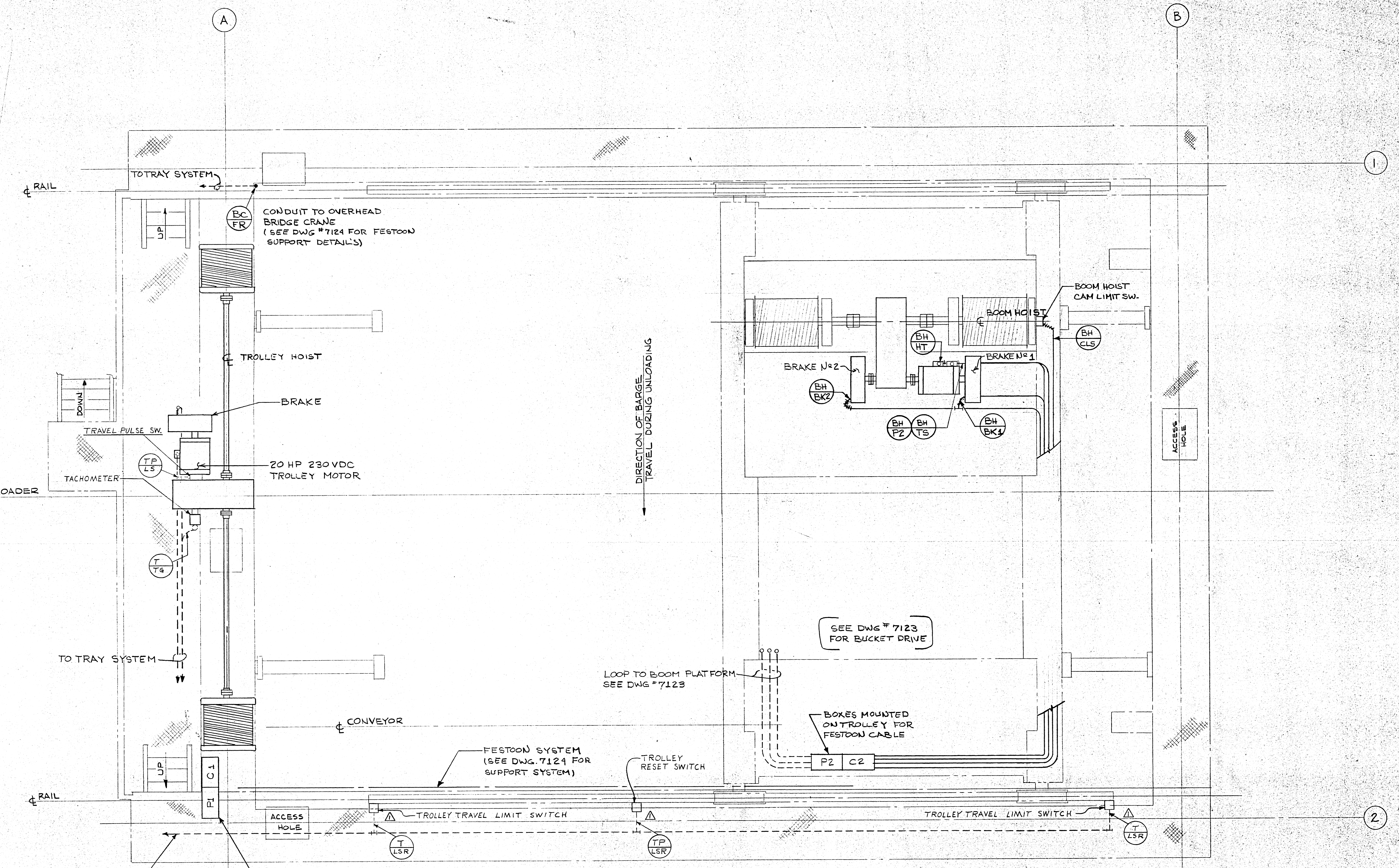
HEYL & PATTERSON, INC.
 CONTRACTING ENGINEERS
 PITTSBURGH, U.S.A.
 BUCKET ELEVATOR BARGE UNLOADER

GENERAL PLAN FOR CONDUIT FOR INDUSTRIAL DEVELOPMENT BOARD OF THE CITY OF MOBILE, ALABAMA

ALABAMA STATE DECKS

DIVISION 71 SCALE 1/4" = 1'-0"
 MADE BY: MARY ZILAVY DATE: 3-3-82
 CHECKED: JES
 APPROVED: JES

THIS DRAWING IS THE PROPERTY OF HEYL & PATTERSON, INC. AND FURNISHED IN CONFIDENCE, FOR TEMPORARY USE AND TO BE RETURNED THEREAFTER, IF REQUESTED, NOT TO BE COPIED OR DISCLOSED TO OTHERS WITHOUT THE EXPRESS CONSENT OF HEYL & PATTERSON, INC.



PLAN OF MACHINE
@ TROLLEY RAILS APROX. 58'-6"

DAVID VOLKERT & ASSOCIATES

Recommended for Approval	By:
Approved As Submitted	Cole
Approved Except As Noted	Date:
Revise and Resubmit	7-2-82
Disapproved	

APPROVAL IS TO GENERAL LAYOUT ONLY, AND IN NO WAY RELIEVES THE CONTRACTOR OR SUPPLIER OF HIS RESPONSIBILITY FOR THE ACCURACY OF THE DRAWINGS, DETAILS OF WORK COVERED. CONTRACTOR SHALL VERIFY ALL DIMENSIONS, QUANTITIES AND JOB CONDITIONS.

REFERENCES

FESTOON SHOWN ON DWG 7124

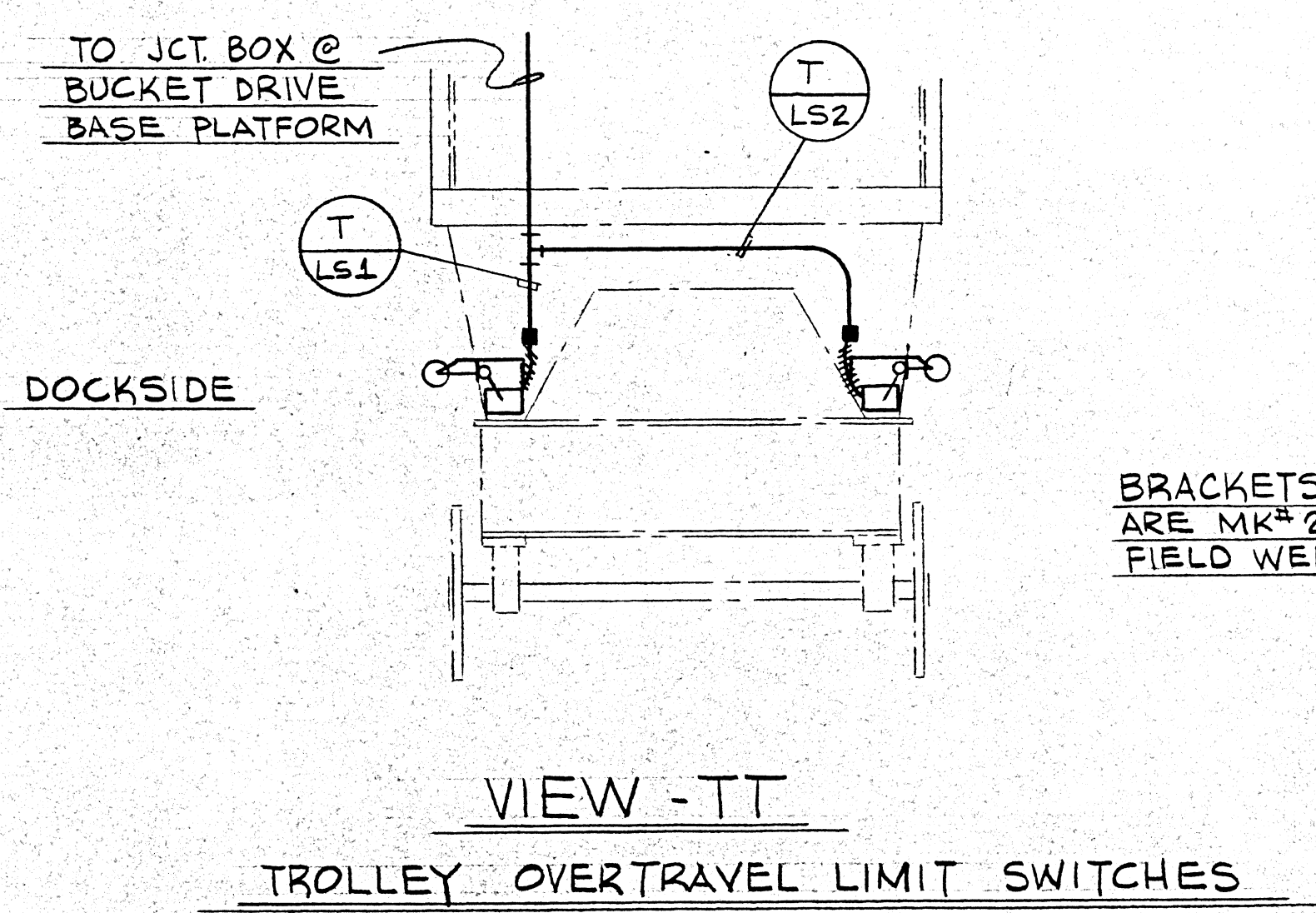
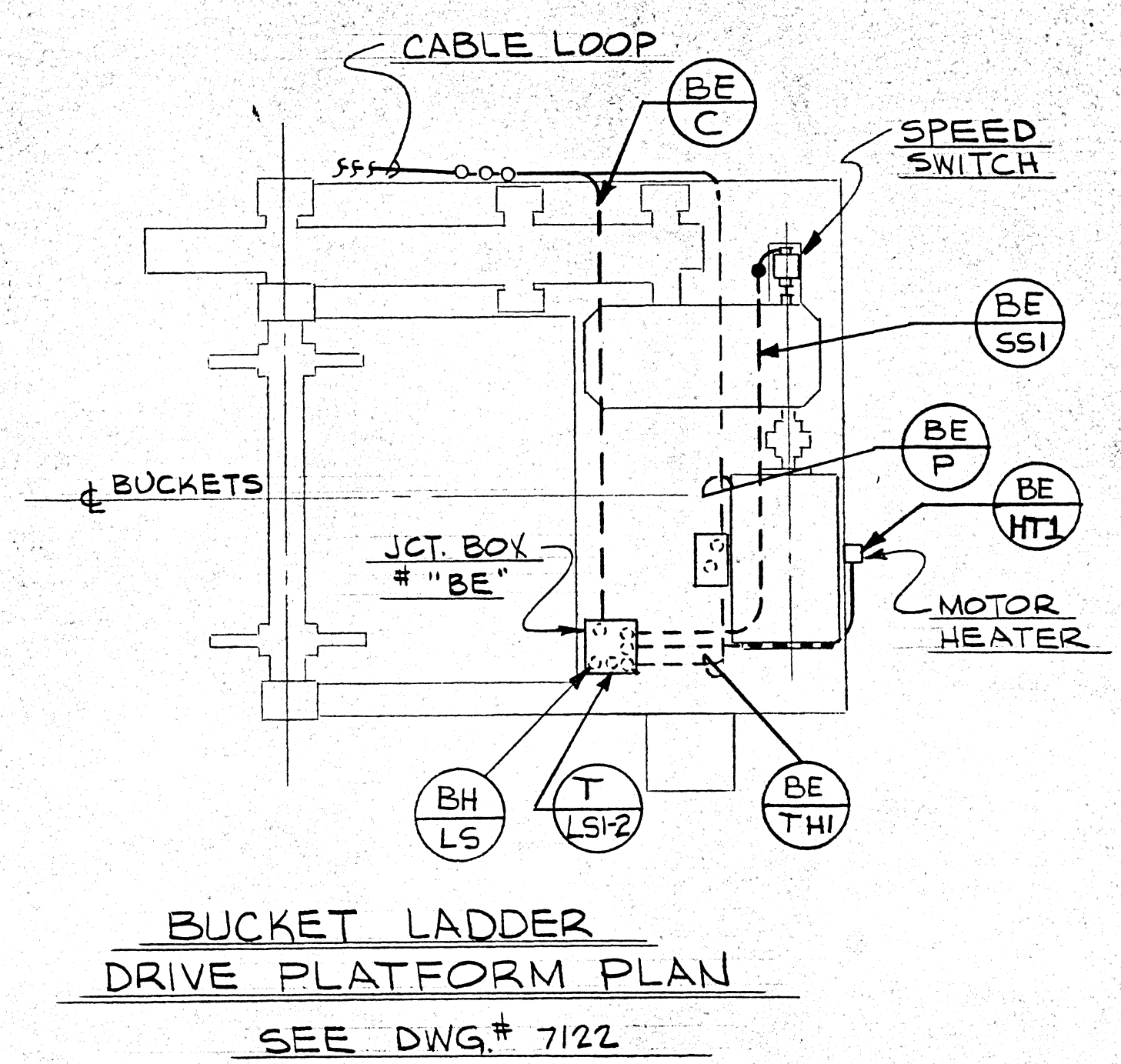
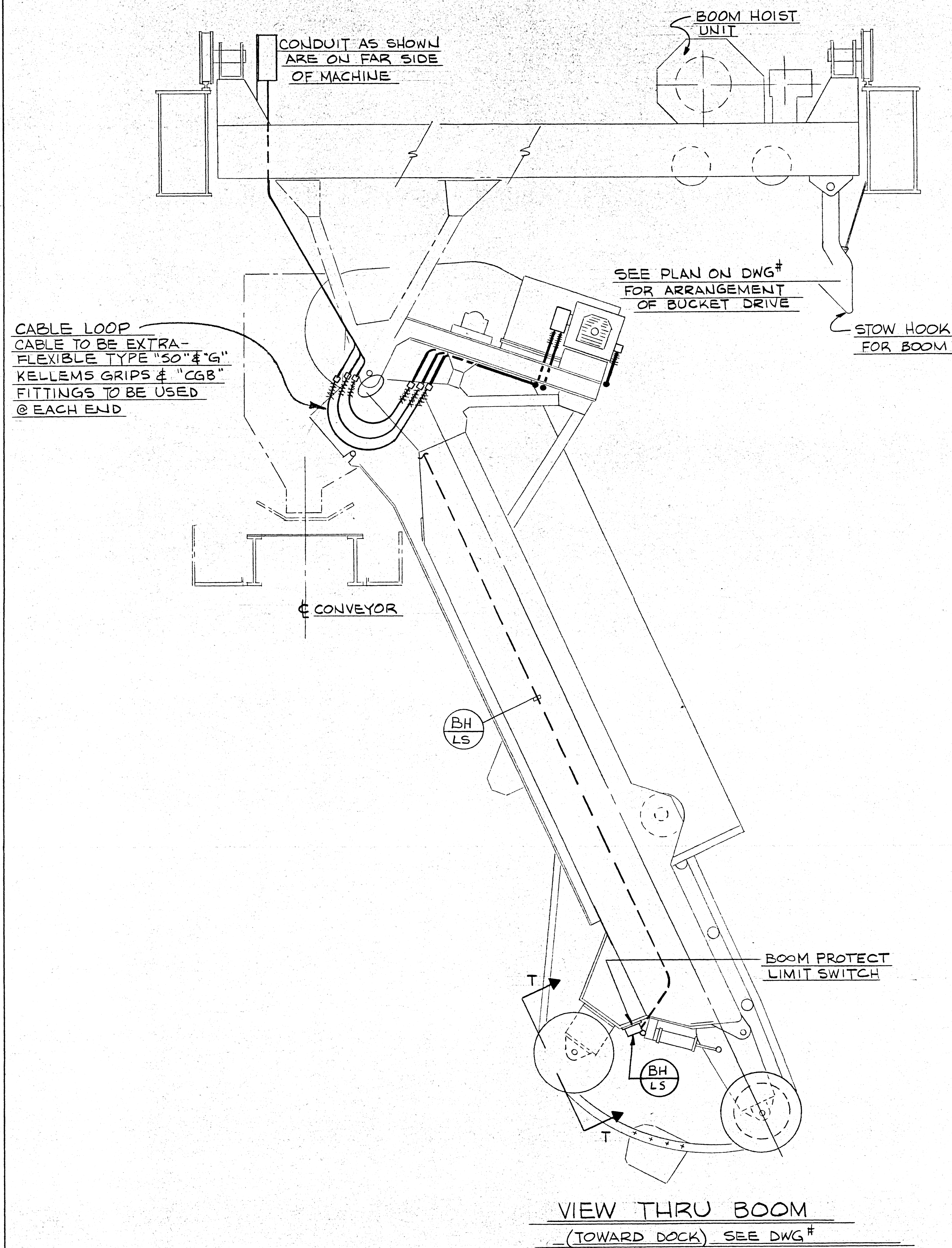
BOOM DETAILS ON DWG 7123

CABLE TRAY AT CELL LEVEL ON DWG 7121

GENERAL NOTES ON DWG. 7119

6440-3-7122	
HEYL & PATTERSON, INC. CONTRACTING ENGINEERS PITTSBURGH, U.S.A.	
BUCKET ELEVATOR BARGE UNLOADER	
TOP PLAN OF MACHINE	
FOR INDUSTRIAL DEVELOPMENT BOARD OF THE CITY OF MOBILE, ALA. (ALABAMA STATE DOCKS DIST. PROJ.)	
REV #	DATE NAME DESCRIPTION
MADE	DATE
CHECKED	DATE
APPROVED	DATE

THIS DRAWING IS THE PROPERTY OF HEYL & PATTERSON, INC. AND FURNISHED IN CONFIDENCE FOR TEMPORARY USE AND TO BE RETURNED THEREAFTER IF REQUESTED. NOT TO BE COPIED OR DISCLOSED TO OTHERS WITHOUT THE EXPRESS CONSENT OF HEYL & PATTERSON, INC.



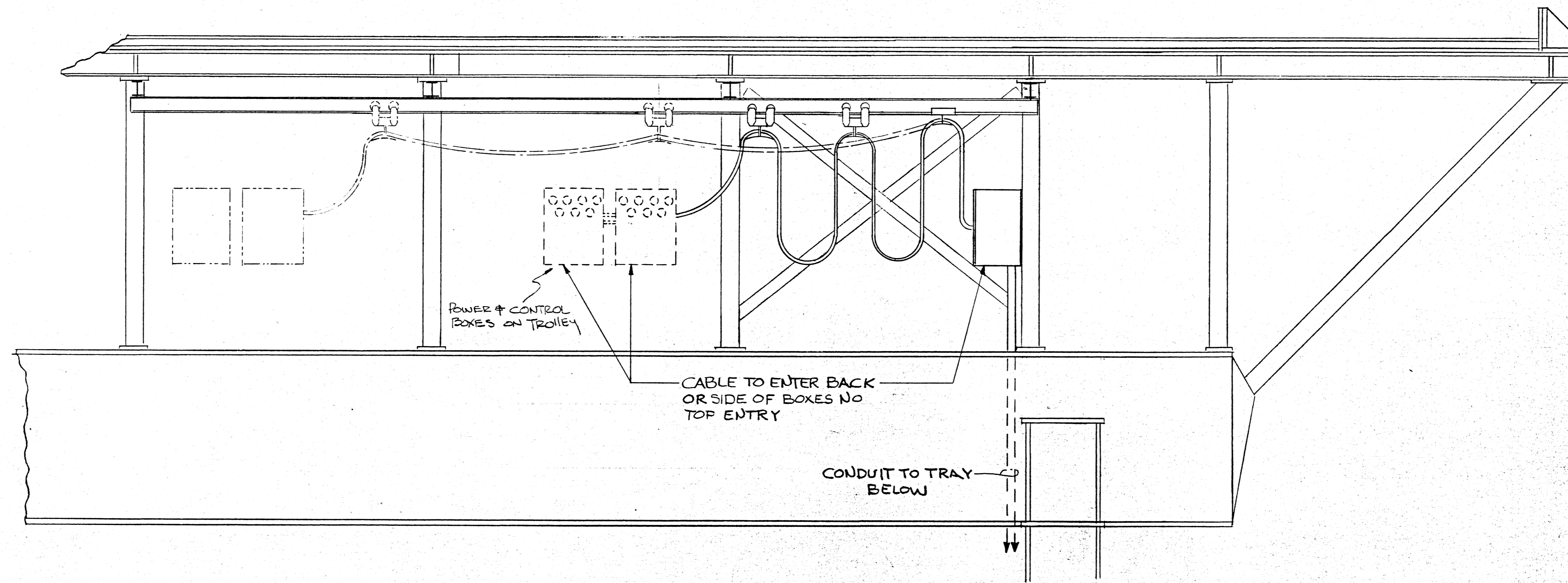
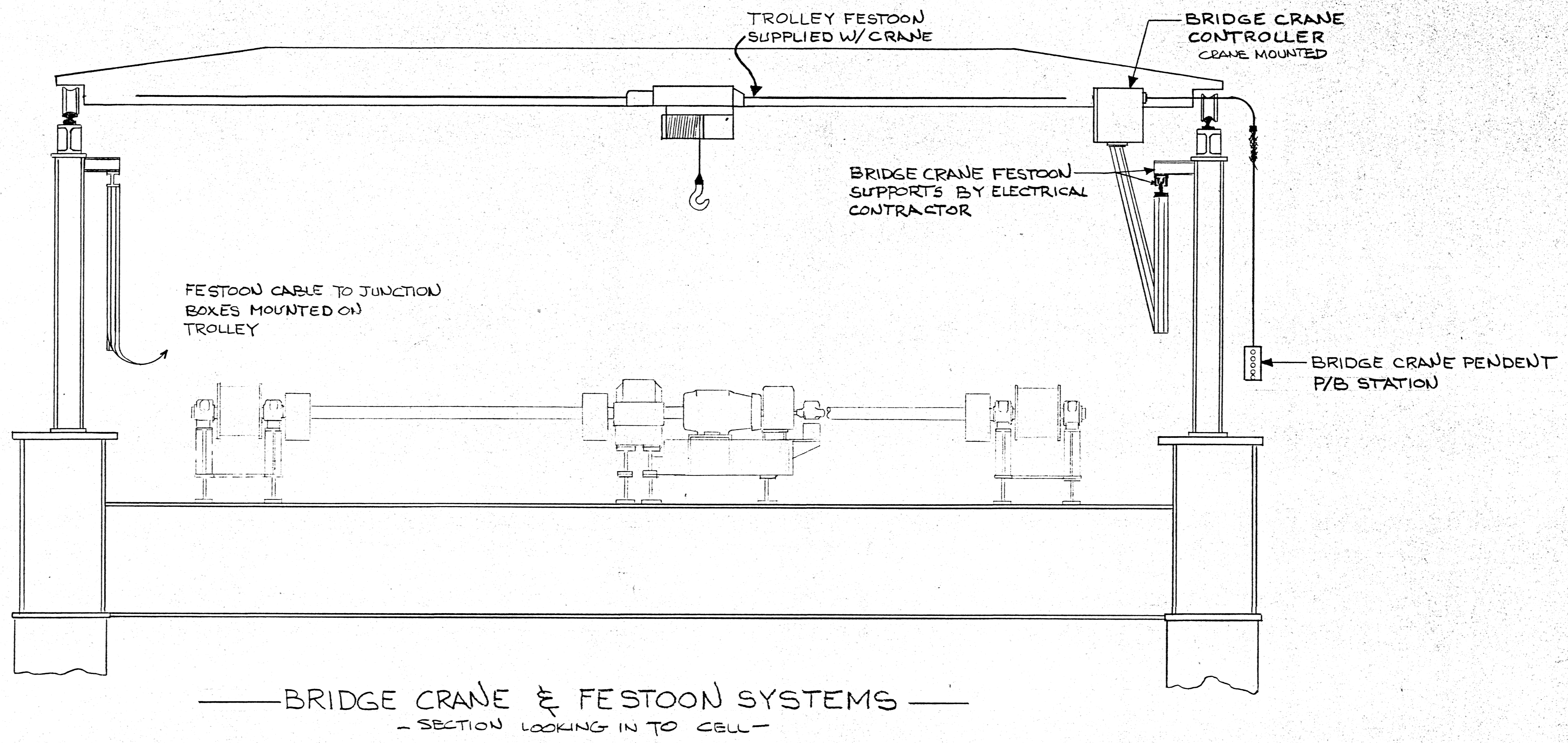
BRACKETS & PUSH-RODS ARE MK# 2B & 2B DWG# 0431 FIELD WELDED.

DAVID MUMFERT & ASSOCIATES	
Recommended for Approval	By: Cole
Approved As Submitted	Date: 9-2-87
Approved Except As Noted	
Revise and Resubmit	
Disapproved	

APPROVAL IS FOR GENERAL LAYOUT ONLY, AND IN NO WAY RELEASES THE CONTRACTOR OR SUPPLIER OF HIS RESPONSIBILITY FOR THE ACCURACY OF THE DRAWINGS, DETAILS OR WORK COVERED. CONTRACTOR SHALL VERIFY ALL DIMENSIONS, QUANTITIES AND JOB CONDITIONS.

SEE DWG# 7110 FOR GENERAL NOTES

6440-3-7123	
HEYL & PATTERSON, INC. CONTRACTING ENGINEERS	
BUCKET ELEVATOR BARGE UNLOADER	
CONDUIT DETAILS OF BOOM	
INDUSTRIAL DEVELOPMENT BOARD OF THE CITY OF MOBILE, ALABAMA (ALABAMA STATE DOCKS DEPT. PROJECT)	
REV. #	DATE, NAME, DESCRIPTION
1	9-2-87
THIS DRAWING IS THE PROPERTY OF HEYL & PATTERSON, INC. AND FURNISHED IN CONFIDENCE FOR TEMPORARY USE AND TO BE RETURNED THEREAFTER IF REQUESTED. NOT TO BE COPIED OR DISCLOSED TO OTHERS WITHOUT THE EXPRESS CONSENT OF HEYL & PATTERSON, INC.	



DAVID VOLKERT & ASSOCIATES
 Recommended for Approval _____ By: _____
 Approved As Submitted _____ Date: *Cole*
 Approved Except As Noted _____
 Revise and Resubmit _____
 Disapproved _____ Date: *9-2-82*

THIS DRAWING IS TO REMAIN LAYOUT ONLY, AND IN NO WAY RELIEVES THE CONTRACTOR OR SUPPLIER OF HIS RESPONSIBILITY FOR THE ACCURACY OF THE DRAWING DETAILS OF WORK COVERED. CONTRACTOR SHALL VERIFY ALL DIMENSIONS, QUANTITIES AND JOB CONDITIONS.

GENERAL NOTES ON DWG #7110

REV #	DATE	NAME	DESCRIPTION

6440-3-7124

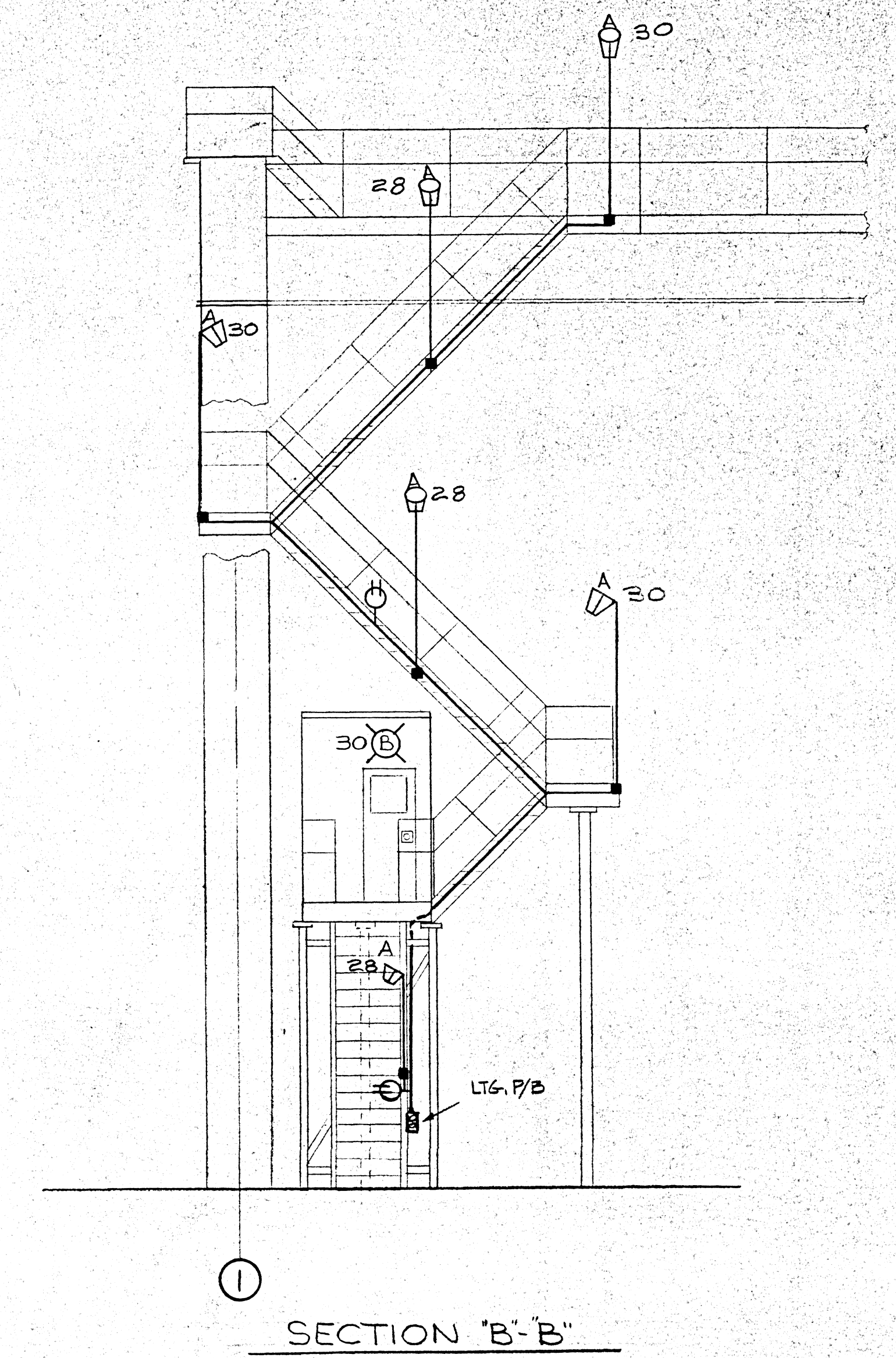
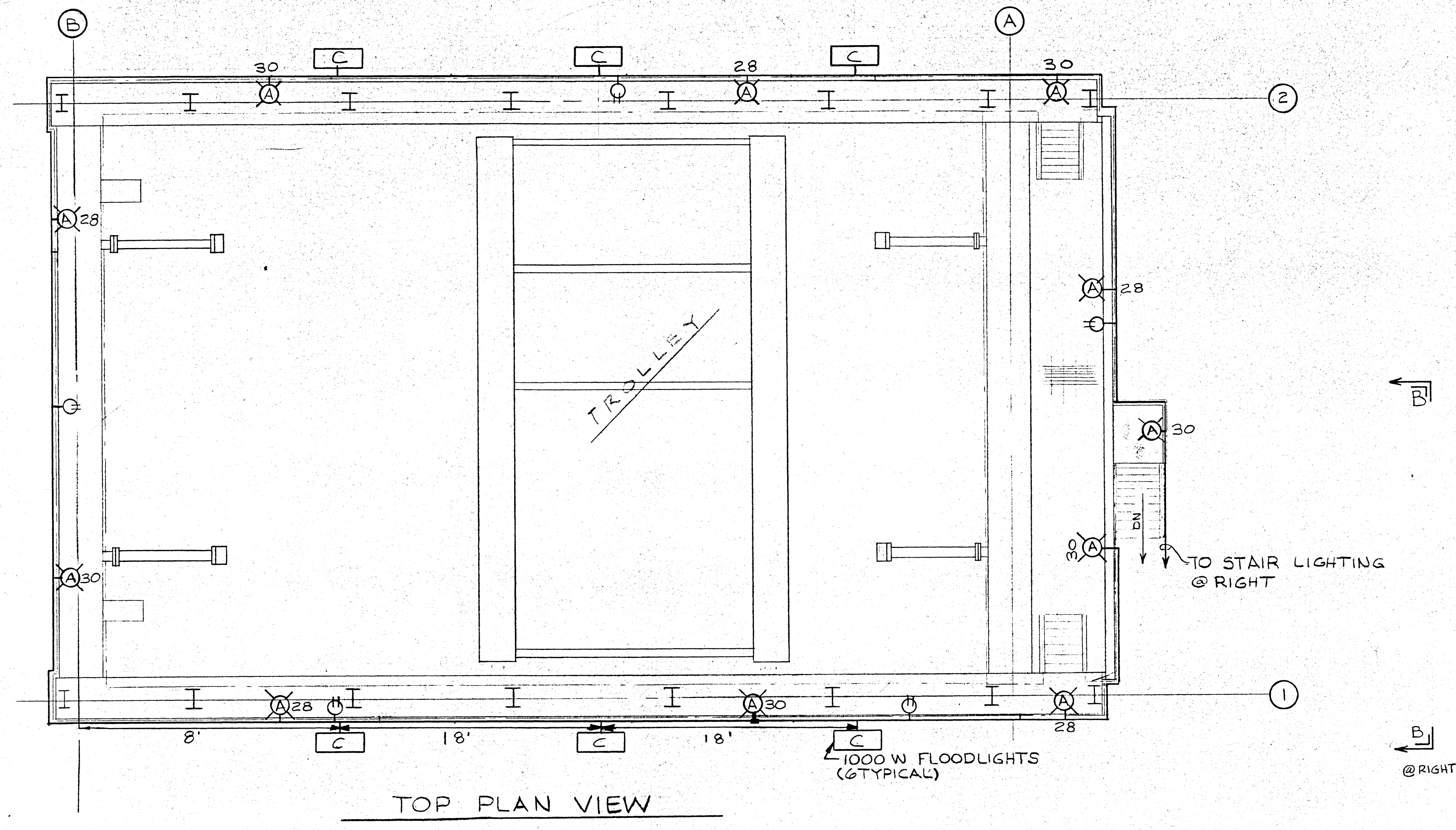
HEYL & PATTERSON, INC.
 CONTRACTING ENGINEERS
 PITTSBURGH, PA.
BUCKET ELEVATOR BARGE UNLOADER
FESTOON DETAILS
 FOR INDUSTRIAL DEVELOPMENT BOARD
 OF THE CITY OF MOBILE ALABAMA
 ALABAMA STATE DOCKS DEPT PROJ.

THIS DRAWING IS THE PROPERTY OF HEYL & PATTERSON, INC. AND FURNISHED IN CONFIDENCE FOR TEMPORARY USE AND TO BE RETURNED THEREAFTER IF REQUESTED. NOT TO BE COPIED OR DISCLOSED TO OTHERS WITHOUT THE EXPRESS CONSENT OF HEYL & PATTERSON, INC.

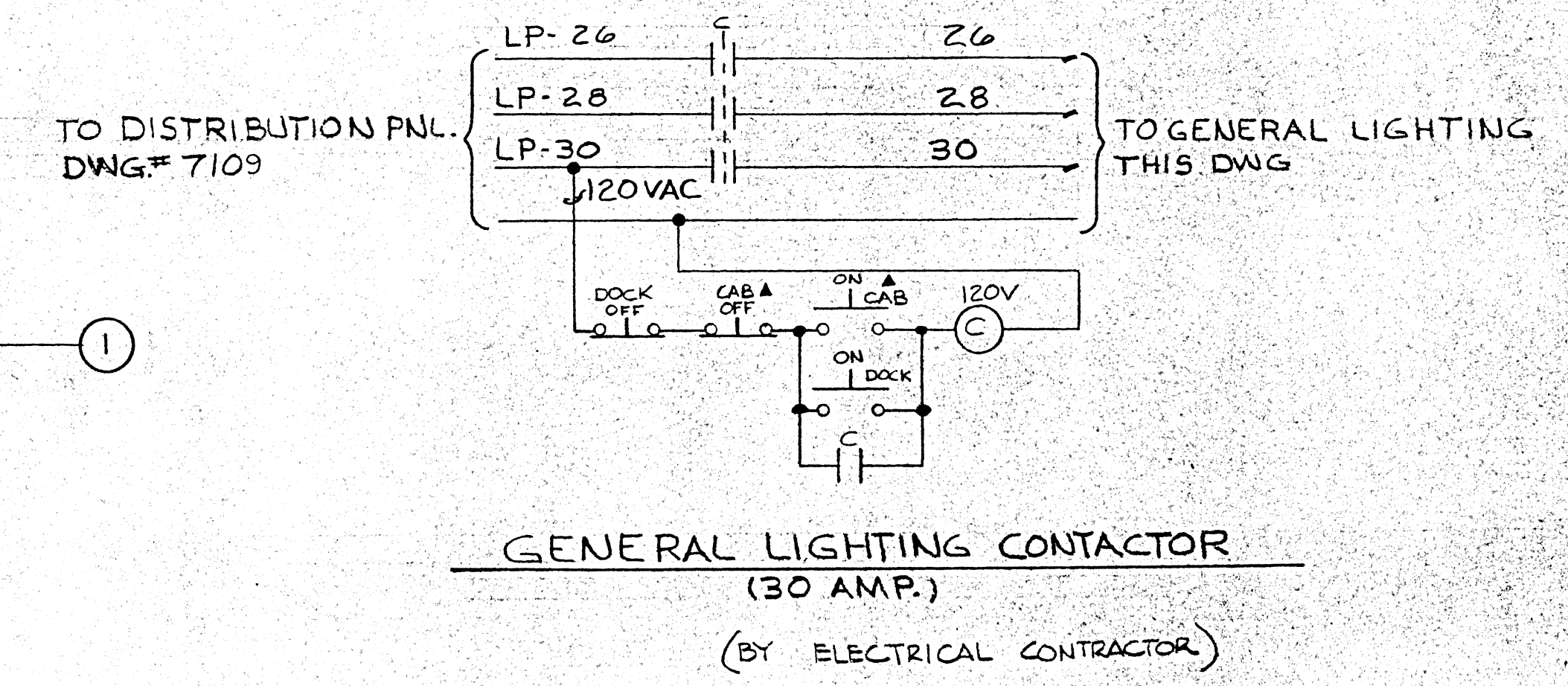
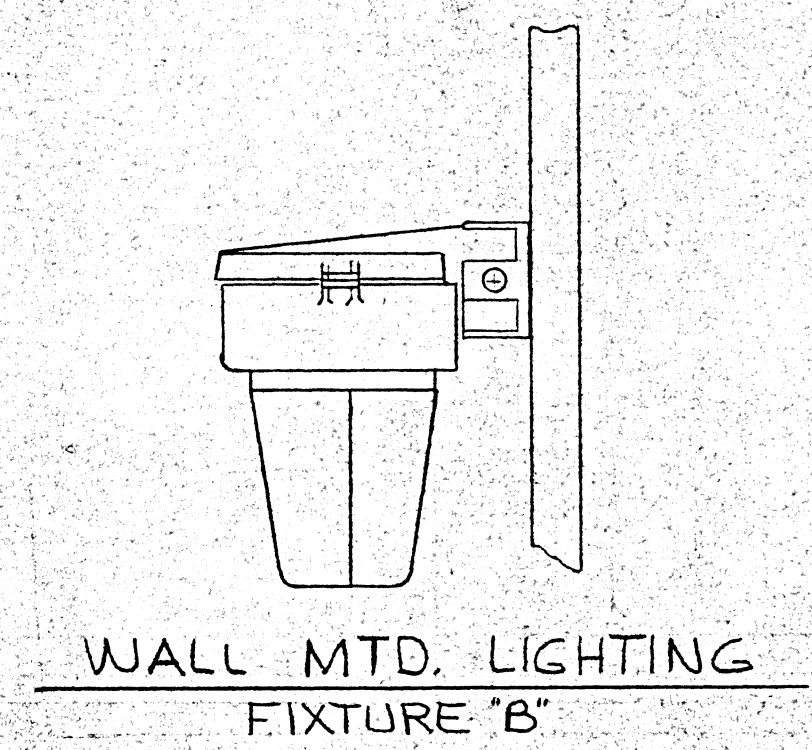
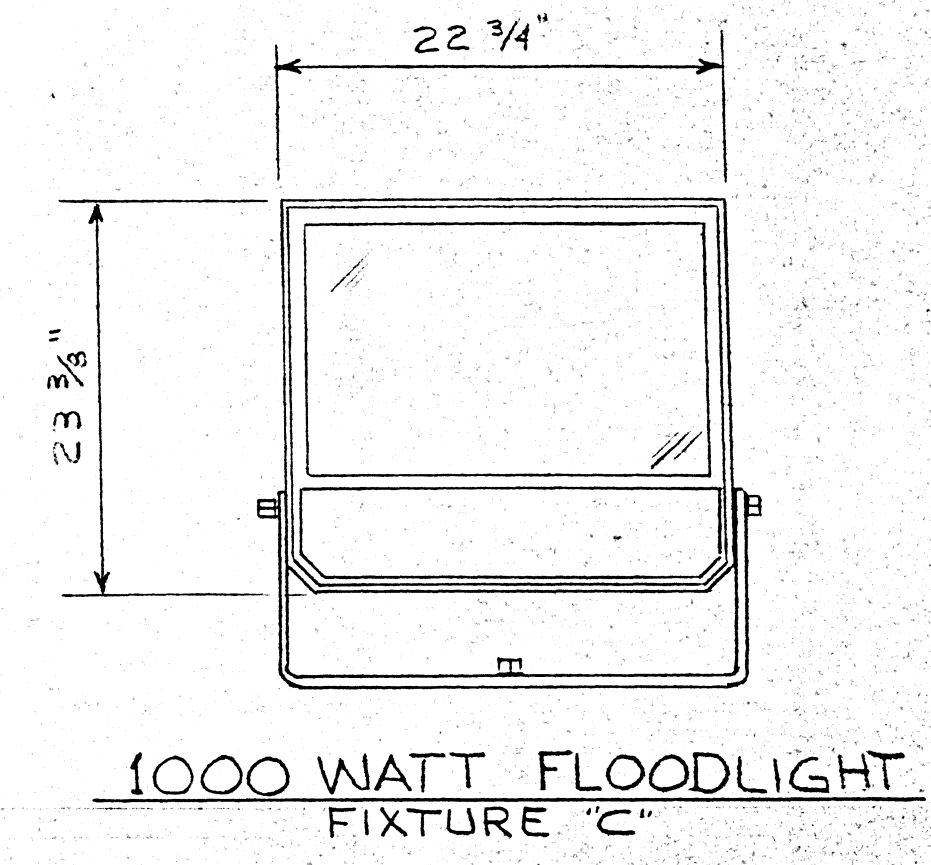
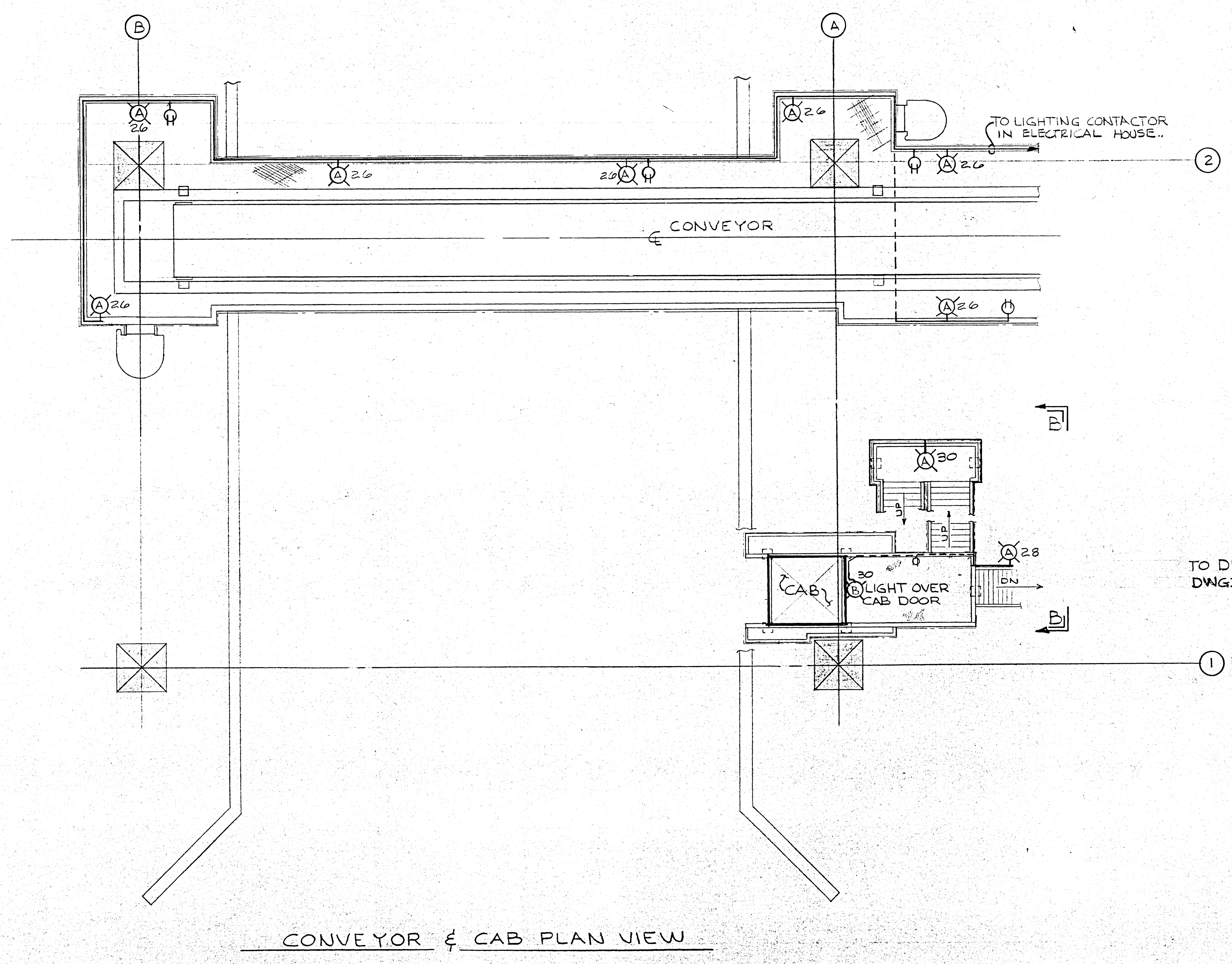
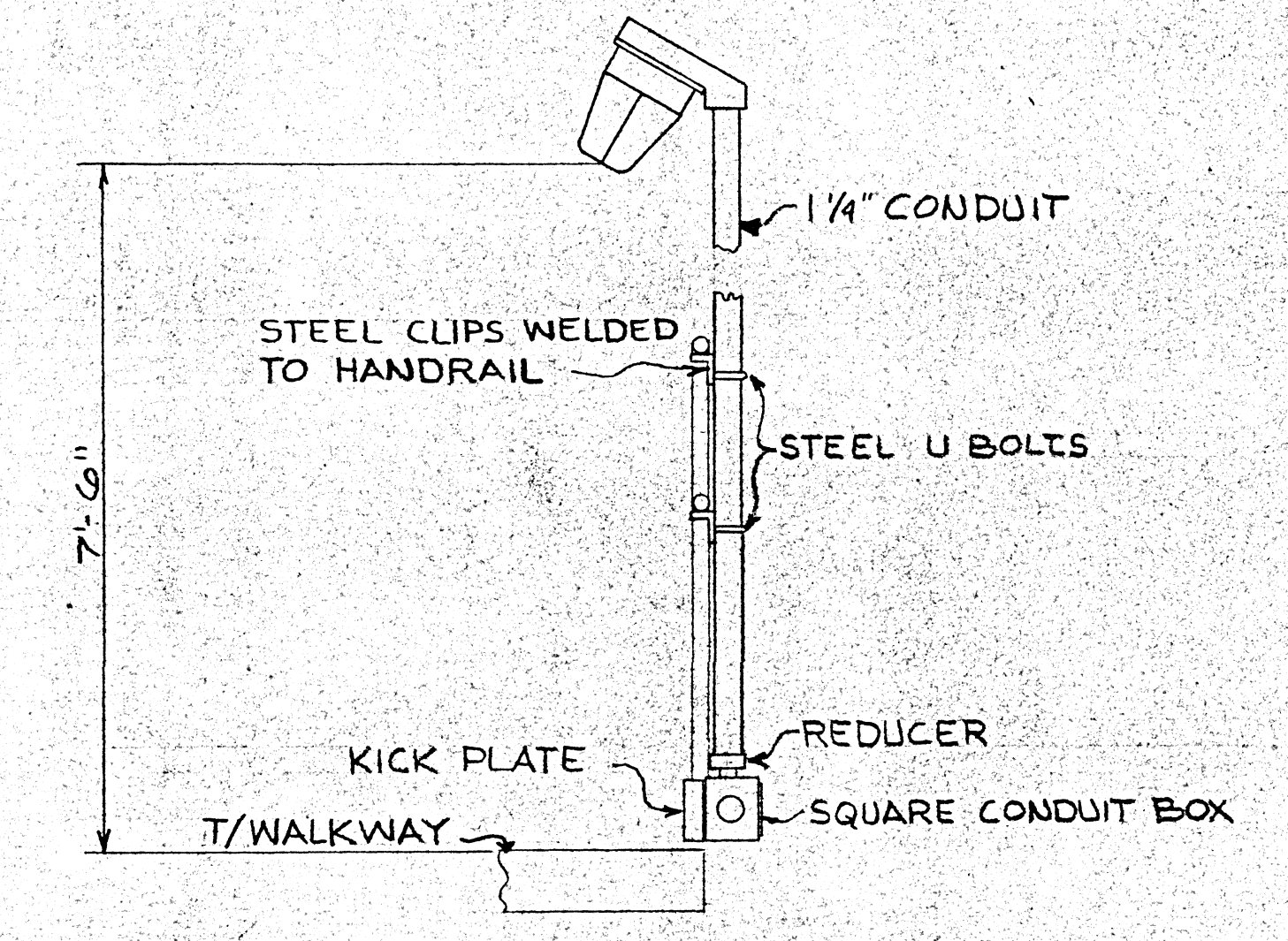
APPROVED: *[Signature]* DATE: *7-11-79*

SCALE: 3/8" = 1'
 DATE: 3/1/81
 CHECKED: *[Signature]*
 APPROVED: *[Signature]*

JUL 27 1981



FIXTURE	DESCRIPTION	WATT.	MOUNTINGS
A	CROUSE HINDS #VMV5J150/120LX	150W LX	STANCHION MOUNTING R3 REFRACTOR
B	CROUSE HINDS #VMV52TW150R/120LX	150W LX	WALL MOUNT
C	CROUSE HINDS #MVD-10LEC-8-T	1000 WATTS	SODIUM H.P. TRIUMPHION MTS.



DAVID VOIVERT & ASSOCIATES
 Recommended for Approval By: Cole
 Approved As Submitted Date: 7-2-82
 Approved Exempt As Noted
 Revise and Resubmit
 Disapproved

APPROVAL IS TO GENERAL LAYOUT ONLY, AND IN NO WAY RELIEVES THE CONTRACTOR OR SUPPLIER OF HIS RESPONSIBILITY FOR THE ACCURACY OF THE DRAWINGS, DETAILS OR WORK COVERED. CONTRACTOR SHALL VERIFY ALL DIMENSIONS, QUANTITIES AND JOB CONDITIONS.

* LIGHT LEVELS SHALL CONFORM WITH SPECIFICATIONS

6440-3-7126			
HEYL & PATTERSON, INC. CONTRACTING ENGINEERS PITTSBURGH, U.S.A.			
UNLOADER GENERAL LIGHTING FOR INDUSTRIAL DEVELOPMENT BOARD OF THE CITY OF MOBILE, ALA. ALABAMA STATE DOCKS			
REV #	DATE	NAME	DESCRIPTION
THIS DRAWING IS THE PROPERTY OF HEYL & PATTERSON, INC. AND IS TO BE RETURNED THEREAFTER IF REQUESTED, NOT TO BE COPIED OR DISCLOSED TO OTHERS WITHOUT THE EXPRESS CONSENT OF HEYL & PATTERSON, INC.			
DIVISION	SCALE	DATE	
MADE BY			
CHECKED BY			
APPROVED BY			

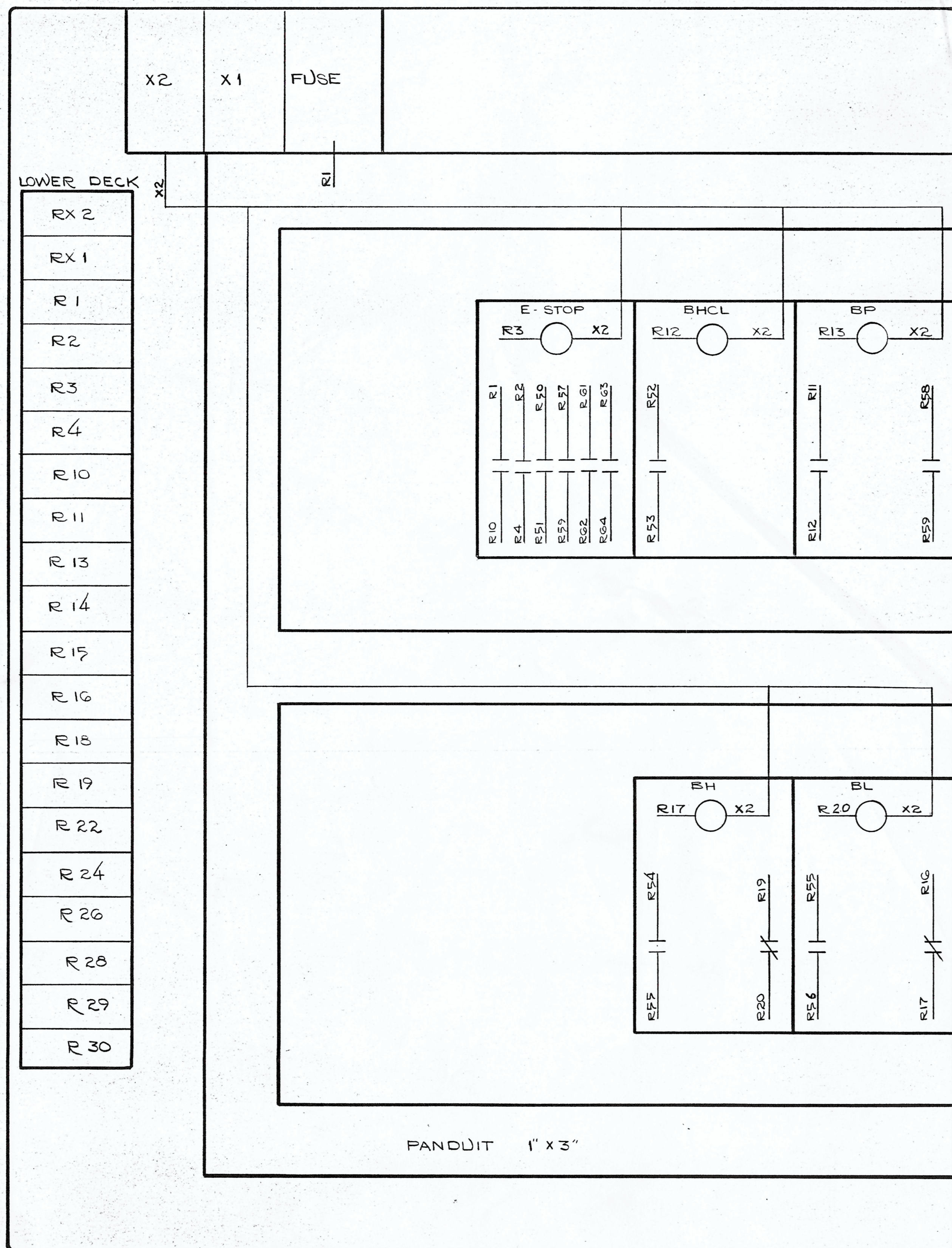
JUL 9 1982

UPPER DECK

R50
R51
R52
R53
R54
R55
R56
R57
R58
R61
R62
R63
R64

LOWER DECK

RX 2
RX 1
R 1
R 2
R 3
R 4
R 10
R 11
R 13
R 14
R 15
R 16
R 18
R 19
R 22
R 24
R 26
R 28
R 29
R 30



DAVID VOLKERT & ASSOCIATES
 Recommended for Approval By: COLE
 Approved As Submitted Date: 9-2-82
 Revised and Resubmit
 Disapproved

THIS DRAWING IS THE PROPERTY OF HEYL & PATTERSON, INC. AND IN NO WAY RELIEVES THE CONTRACTOR OR SUPPLIER OF HIS RESPONSIBILITY FOR THE ACCURACY OF THE DRAWINGS, DETAILS OR WORK COVERED. CONTRACTOR SHALL VERIFY ALL DIMENSIONS, QUANTITIES AND JOB CONDITIONS.

		6440-3-7127
HEYL & PATTERSON, INC. CONTRACTING ENGINEERS PITTSBURGH, U.S.A.		
BUCKET ELEVATOR, BRIDGE UNLOADER		
RELAY PANEL ITEM XE-34		
FOR INDUSTRIAL DEVELOPMENT BOARD OF THE CITY OF MOBILE, ALABAMA (ALABAMA STATE DOCKS DEPT. PROJ.)		
REV #	DATE	DESCRIPTION
<small>THIS DRAWING IS THE PROPERTY OF HEYL & PATTERSON, INC. AND FURNISHED IN CONFIDENCE FOR TEMPORARY USE AND TO BE RETURNED THEREAFTER IF REQUESTED. NOT TO BE COPIED OR DISCLOSED TO OTHERS WITHOUT THE EXPRESS CONSENT OF HEYL & PATTERSON, INC.</small>		<small>SCALE FULL SIZE DATE 6/16/82 CHECKED BY DATE 7/2/82 APPROVED BY DATE 7/2/82</small>