

WALL SCHEDULE				
WALL	LINEAR FEET	TOP ELEV.	TIP ELEV.	SHEET LENGTH
① PA48/19-700 "COMBI-WALL" 48" x 1/2" WALL PIPE AZ19-700	44'± 44'±	+3.0 +3.0	-67.0 -42.0	70' 45'
② PA48/19-700 "COMBI-WALL" 48" x 1/2" WALL PIPE AZ19-700	704'± 704'±	+3.0 +3.0	-67.0 -42.0	70' 45'
③ PA48/26-700 "COMBI-WALL" 48" x 1/2" WALL PIPE AZ26-700	88'± 88'±	+9.5 +9.5	-65.5 -55.5	75' 65'
④ PA48/26-700 "COMBI-WALL" 48" x 1/2" WALL PIPE AZ26-700	35'± 35'±	+9.5 +9.5	-65.5 -55.5	75' 65'
⑤ AZ26-700	149'±	+9.5	-50.5	60'
⑥ AZ14-770	53'±	+9.5	-42.5	52'
⑦ AZ14-770	273'±	+9.5	-42.5	52'
⑧ AZ14-770	622'±	+9.5	-35.5	45'
⑨ AZ14-770	43'±	+9.5	-35.5	45'
⑩ AZ14-770	196'±	+9.5	-35.5	45'

FOR REFERENCE ONLY

REV.	DESCRIPTION	DATE	BY	CHK'D
4	Relocation of Wall #1	02/01/13	BS	GDEC
3	ADDED SIGNS	01/15/13	BS	GDEC
2	ADDED DETAIL 11	10/26/12	TS	GDEC
1	AS-BUILT THROUGH 10-15-2012	10/17/12	TS	GDEC
0	ISSUED FOR CONSTRUCTION	09/26/12	TS	GDEC

457 St. Michael St.
Mobile, AL 36602
Phone (251) 433-1611
Fax (251) 433-1411

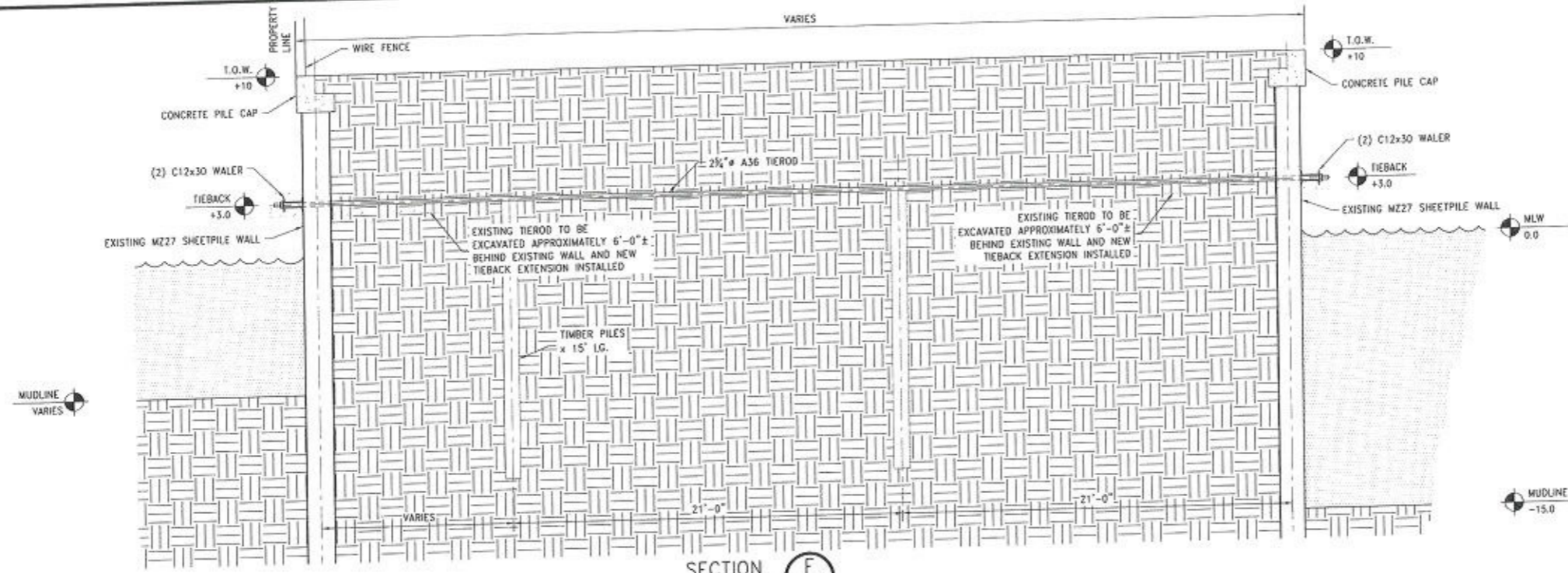
Cowles, Murphy, Glover & ASSOCIATES
A Full Service Engineering Firm
PERFORMANCE • RELIABILITY • EXPERIENCE

13 Thrash Rd.
LaGrange, GA 30241
Phone (706) 302-2831
Fax (251) 433-1411

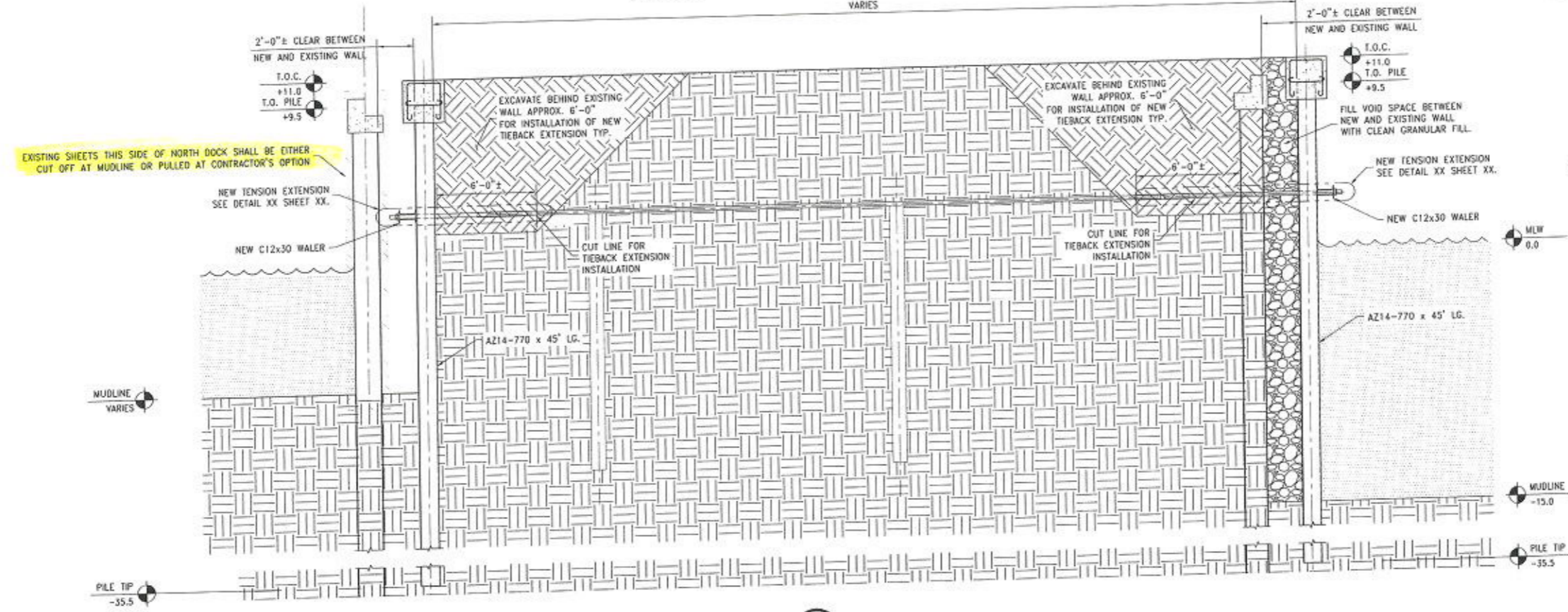
PROJECT
BLUE CREEK COAL TERMINAL
MOBILE, ALABAMA

TITLE: SHEET PILE PLAN - ALTERNATE				
SCALE: AS NOTED	DRAWN BY: TS	DATE: 09/26/12	SHEET: 1 OF 1	REV: 4
JOB NO.: 1800	CHECKED BY: GDEC	DATE: 09/26/12	DRAWING NUMBER: 1800-SP-C2STRETCH	

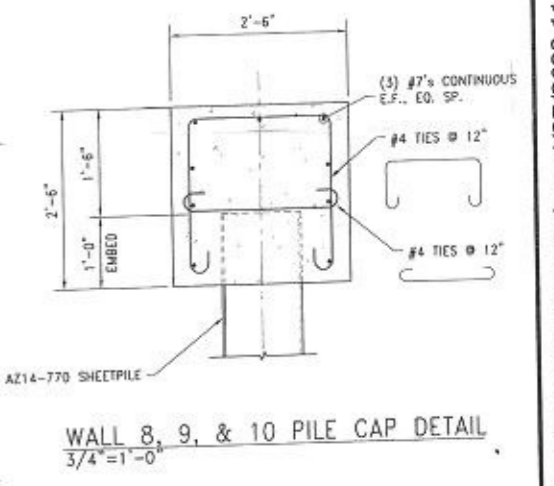
Z:\1800-1899\1800- Blue Creek Coal Terminal\Design\Sheetpile Project\1800-SP-C2STRETCH.dwg, 4/27/2022 11:09:11 AM, KONICA MINOLTA C368SeriesPCL, 1:2



SECTION F
1/4"=1'-0" C2 | 56
EXISTING CROSS SECTION AT PARTIAL WALL 8, 9, & 10



SECTION F
1/4"=1'-0" C2 | 56
NEW CROSS SECTION AT PARTIAL WALL 8, 9, & 10



WALL 8, 9, & 10 PILE CAP DETAIL
3/4"=1'-0"

FOR REFERENCE ONLY

REV.	DESCRIPTION	DATE	BY	CHK'D
0	ISSUED FOR CONSTRUCTION	06/04/12	TS	GDEC

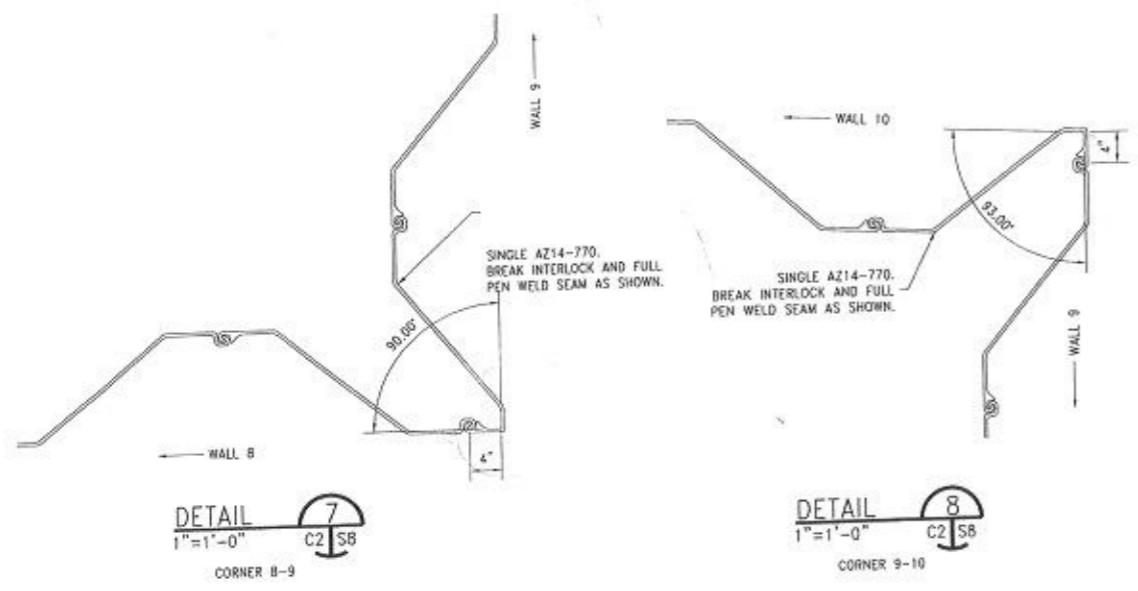
457 St. Michael St.
Mobile, AL 36602
Phone (251) 433-1611
Fax (251) 433-1411

Cowles, Murphy, Glover & ASSOCIATES
A Full Service Engineering Firm
PERFORMANCE • RELIABILITY • EXPERIENCE

13 Thrash Rd.
LaGrange, GA 30241
Phone (706) 302-2831
Fax (251) 433-1411

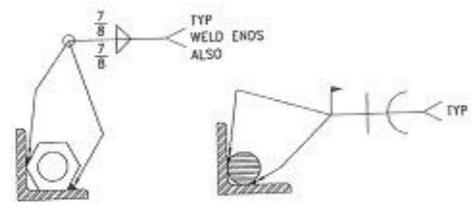
PROJECT
BLUE CREEK COAL TERMINAL
MOBILE, ALABAMA

TITLE				
SECTIONS AND DETAILS - PARTIAL WALL 8, 9, & 10				
SCALE	AS NOTED	DRAWN BY	VTH	DATE
DATE	12/14/2011	CHECKED BY	GDEC	DATE
JOB NO.	1800	DRAWING NUMBER	1800-SP-S6	SHEET
				22x34
				REV. 0

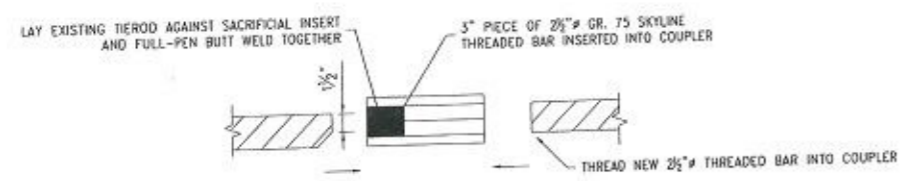


DETAIL 7
1"=1'-0"
CORNER 8-9

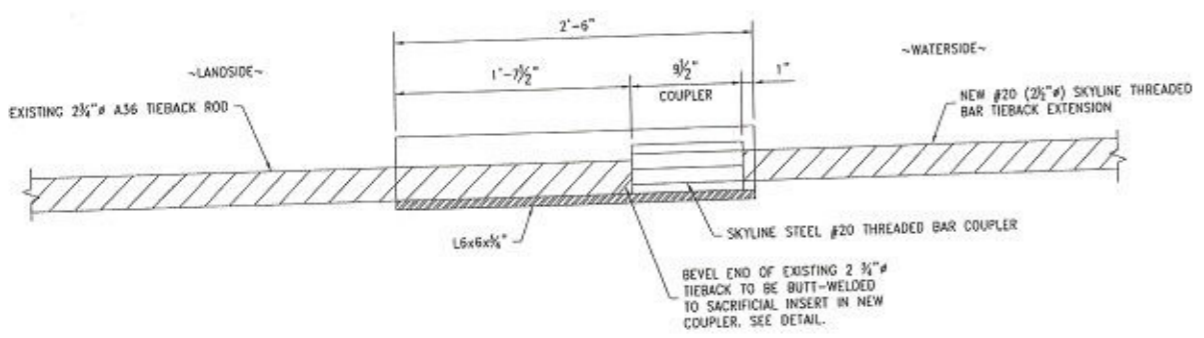
DETAIL 8
1"=1'-0"
CORNER 9-10



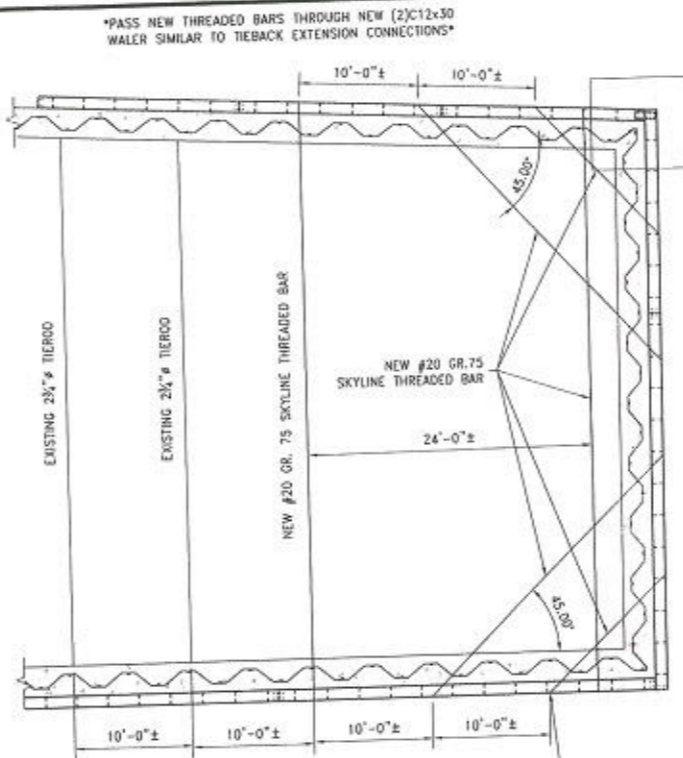
WELD CONNECTION DETAILS
1-1/2"=1'-0"



TIEBACK COUPLER CONNECTION DETAIL
1-1/2"=1'-0"

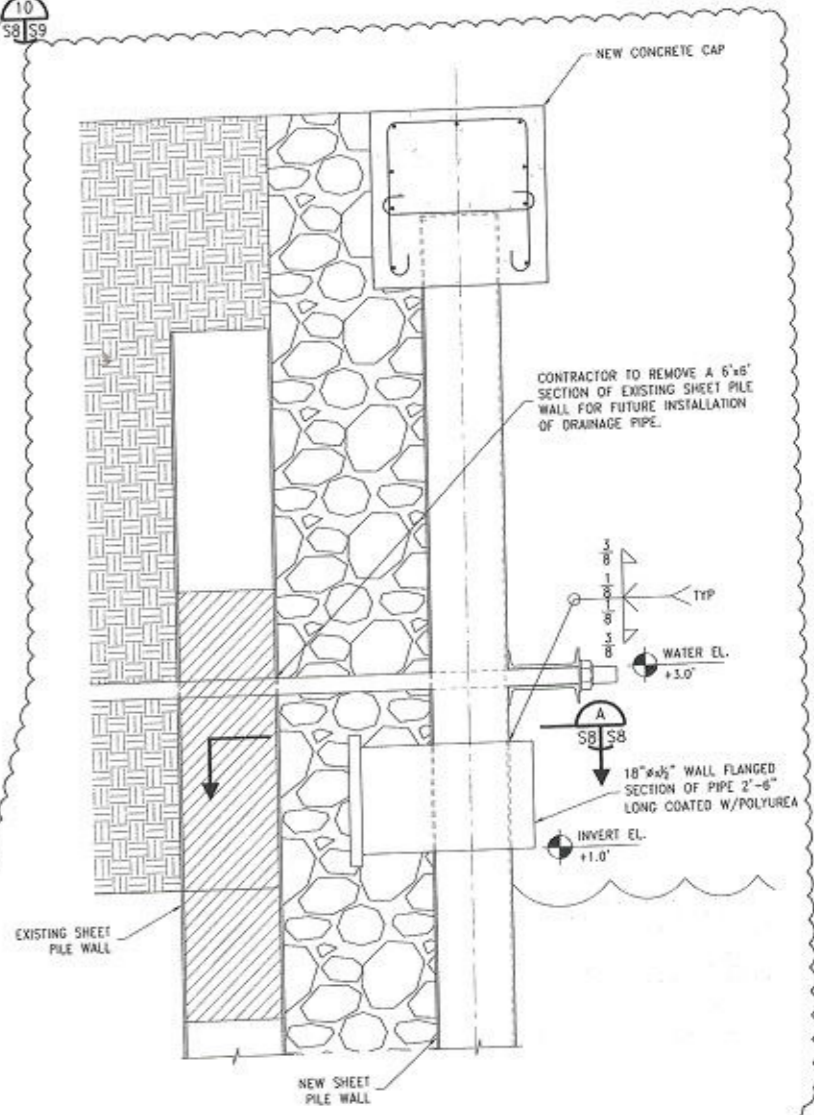


TIEBACK EXTENSION DETAIL
1-1/2"=1'-0"

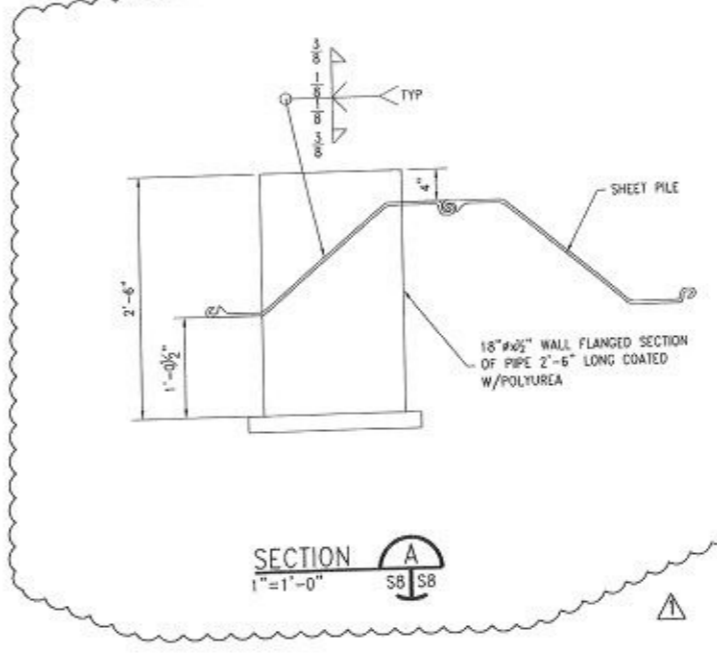


DETAIL 9
1/8"=1'-0"
CORNER 9-10

CONTRACTOR SHALL WELD SHEAR KEY ACROSS C12 FLANGES AND WASHER GUSSETS TO WALER, TYP @ DIAGONAL TIE RODS



SECTION THROUGH 18" PIPE
3/4"=1'-0"



SECTION A
1"=1'-0"

FOR REFERENCE ONLY

REV.	DESCRIPTION	DATE	BY	CHK'D
0	ISSUED FOR CONSTRUCTION	06/04/12	TS	GDEC

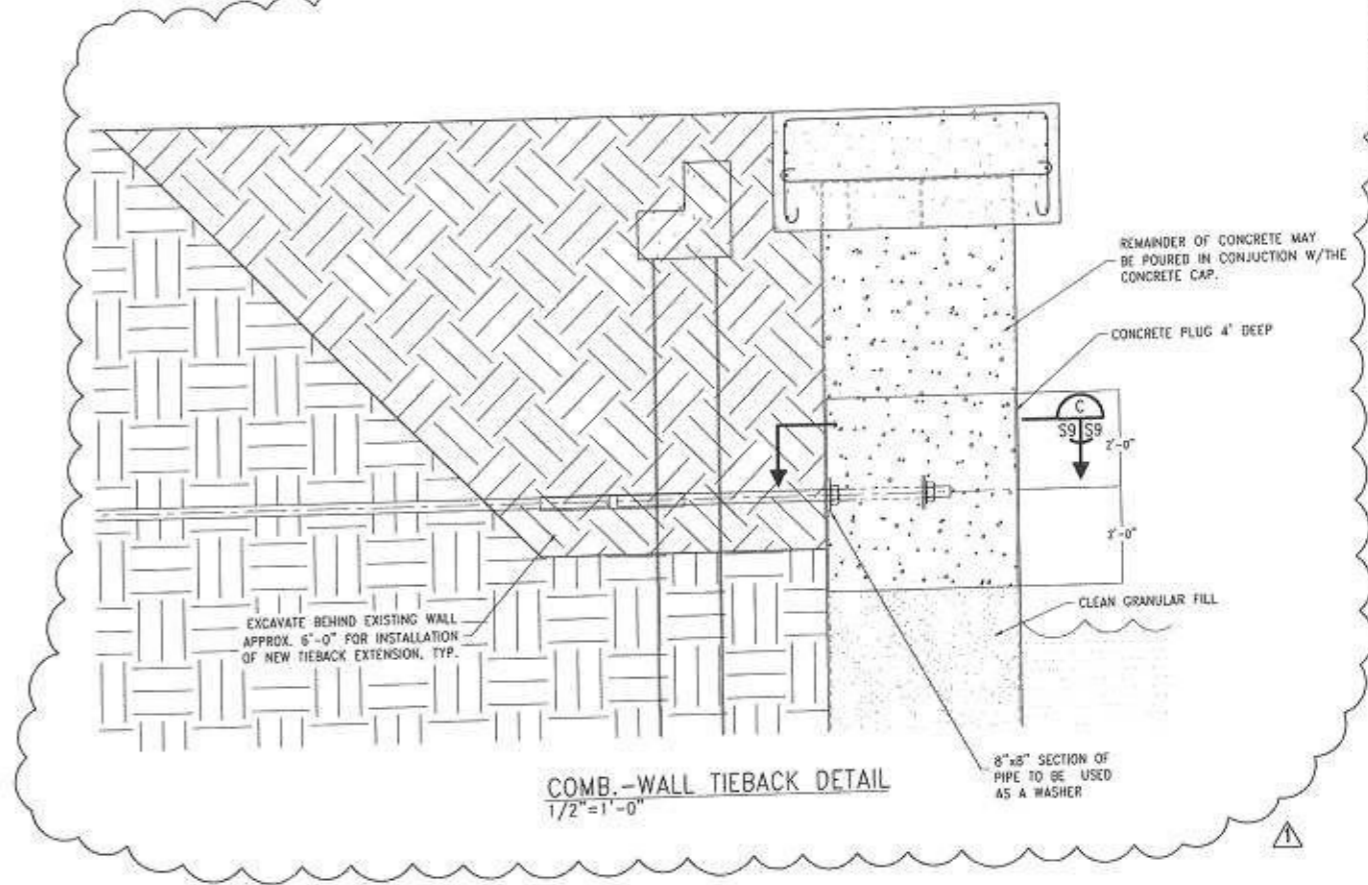
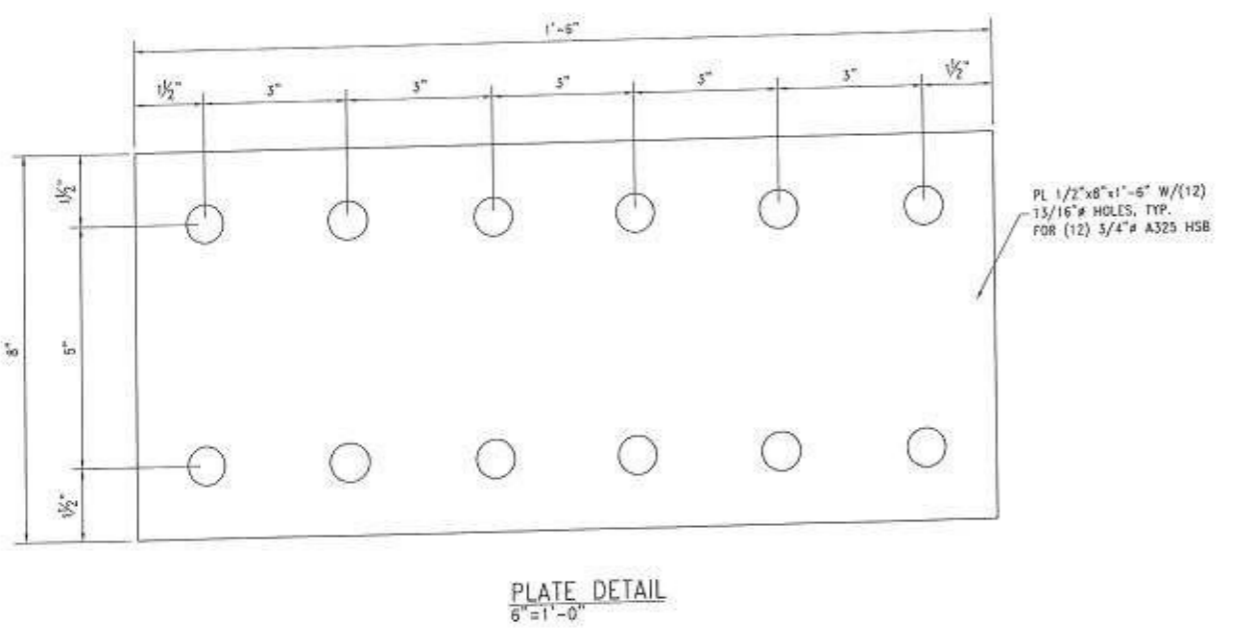
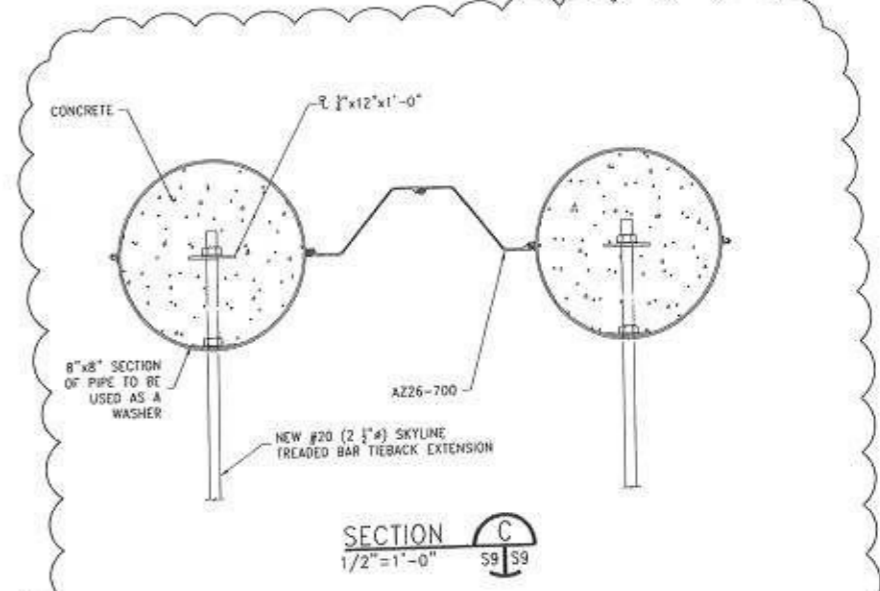
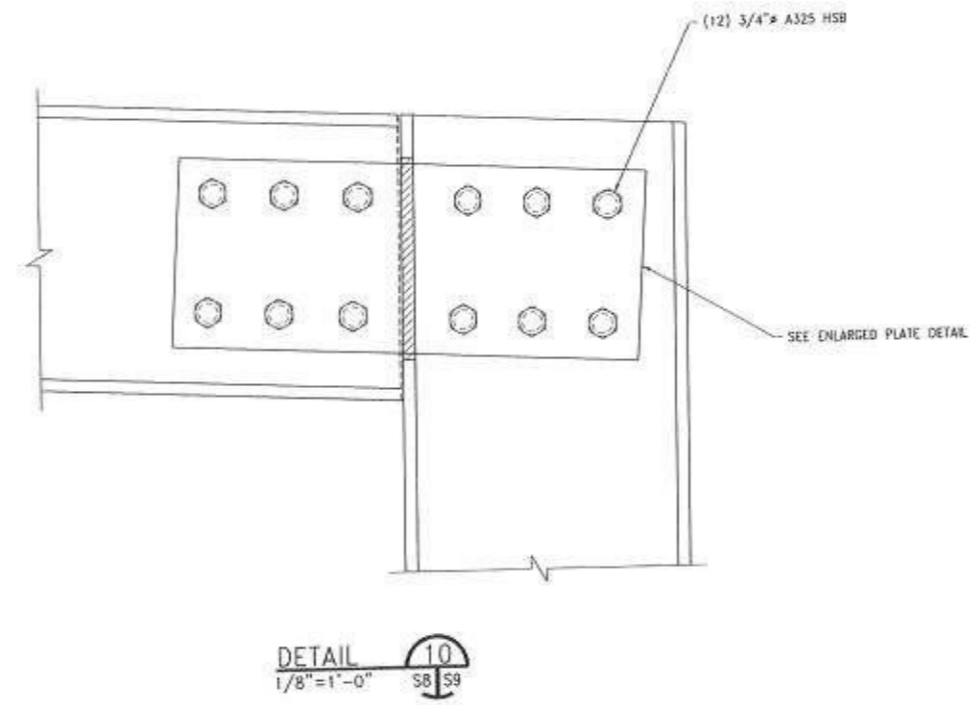
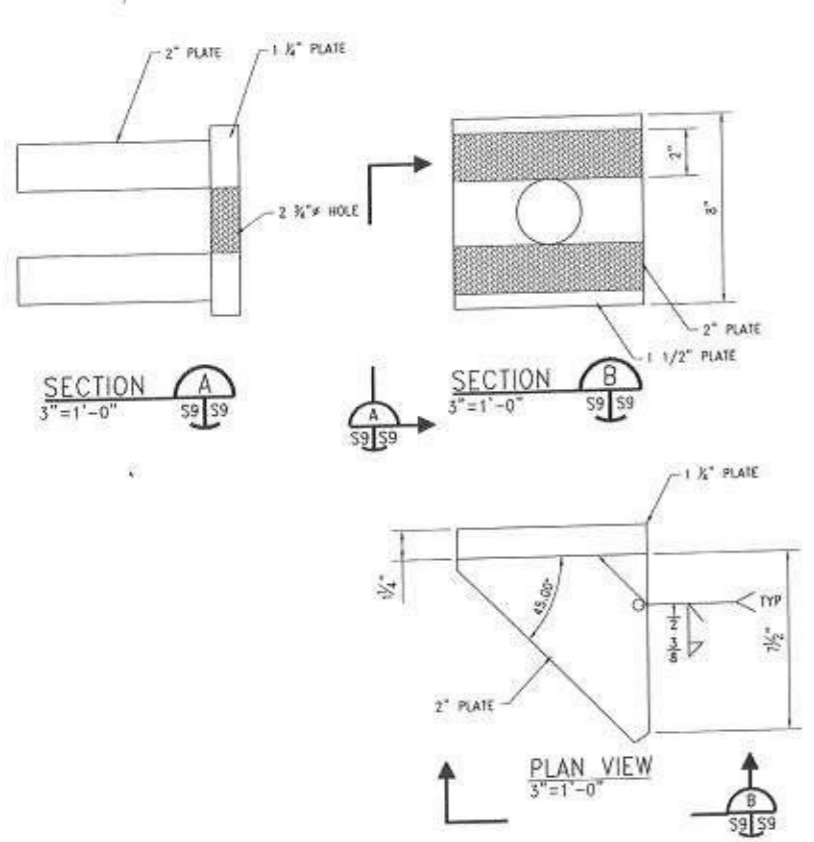
457 St. Michael St.
Mobile, AL 36602
Phone (251) 433-1611
Fax (251) 433-1411

Cowles, Murphy, Glover & ASSOCIATES
A Full Service Engineering Firm
PERFORMANCE • RELIABILITY • EXPERIENCE

13 Thrash Rd.
LaGrange, GA 30241
Phone (706) 302-2831
Fax (251) 433-1411

PROJECT: **BLUE CREEK COAL TERMINAL**
MOBILE, ALABAMA

SHEET PILE DETAILS			
SCALE: AS NOTED	DESIGNED BY: VTH	DATE: 12/07/2011	SHEET: 22 of 24
JOB NO: 1800	CHECKED BY: GDEC	DATE: 12/07/2011	DRAWING NUMBER: 1800-SP-S8



FOR REFERENCE ONLY

REV.	DESCRIPTION	DATE	BY	CHK'D
1	ADDED COMB.-WALL TIE BACK	10/17/12	BS	GDEC
0	ISSUED FOR CONSTRUCTION	06/04/12	BS	GDEC

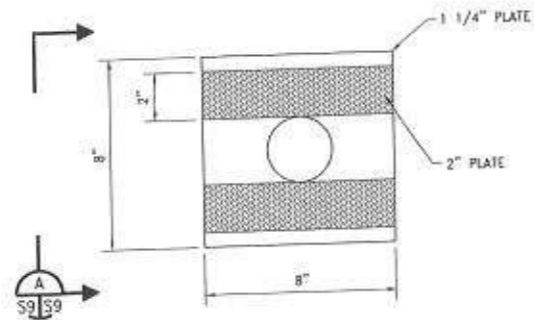
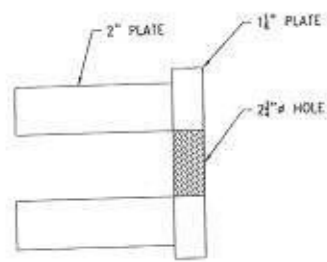
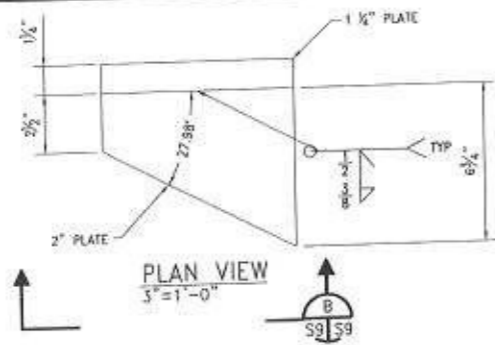
457 St. Michael St.
Mobile, AL 36602
Phone (251) 433-1611
Fax (251) 433-1411

Cowles, Murphy, Glover & ASSOCIATES
A Full Service Engineering Firm
PERFORMANCE • RELIABILITY • EXPERIENCE

13 Thrash Rd.
LaGrange, GA 30241
Phone (706) 302-2831
Fax (251) 433-1411

PROJECT
BLUE CREEK COAL TERMINAL
MOBILE, ALABAMA

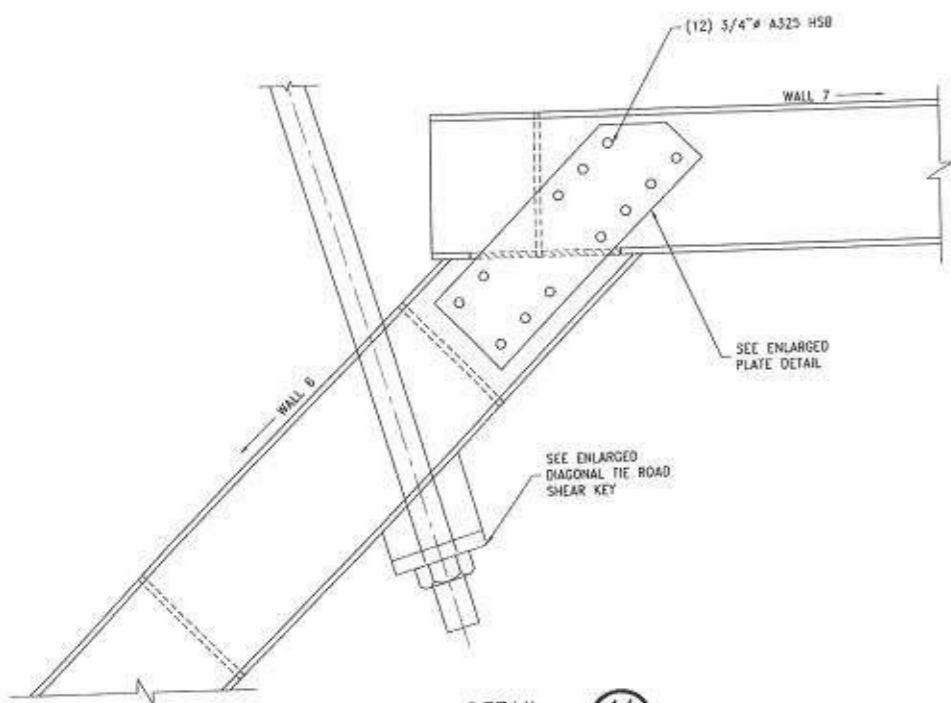
TITLE			
SHEET PILE DETAILS			
SCALE AS NOTED	DRAWN BY VTH	DATE 12/07/2011	SHEET - of -
REV. NO. 1800	CHECKED BY GDEC	DATE 12/07/2011	DRAWING NUMBER 1800-SP-S9



SECTION A
3"=1'-0" S9 S9

SECTION B
3"=1'-0" S9 S9

DIAGONAL TIE ROD SHEAR KEY



DETAIL 11
1 1/2"=1'-0" C2 S9A

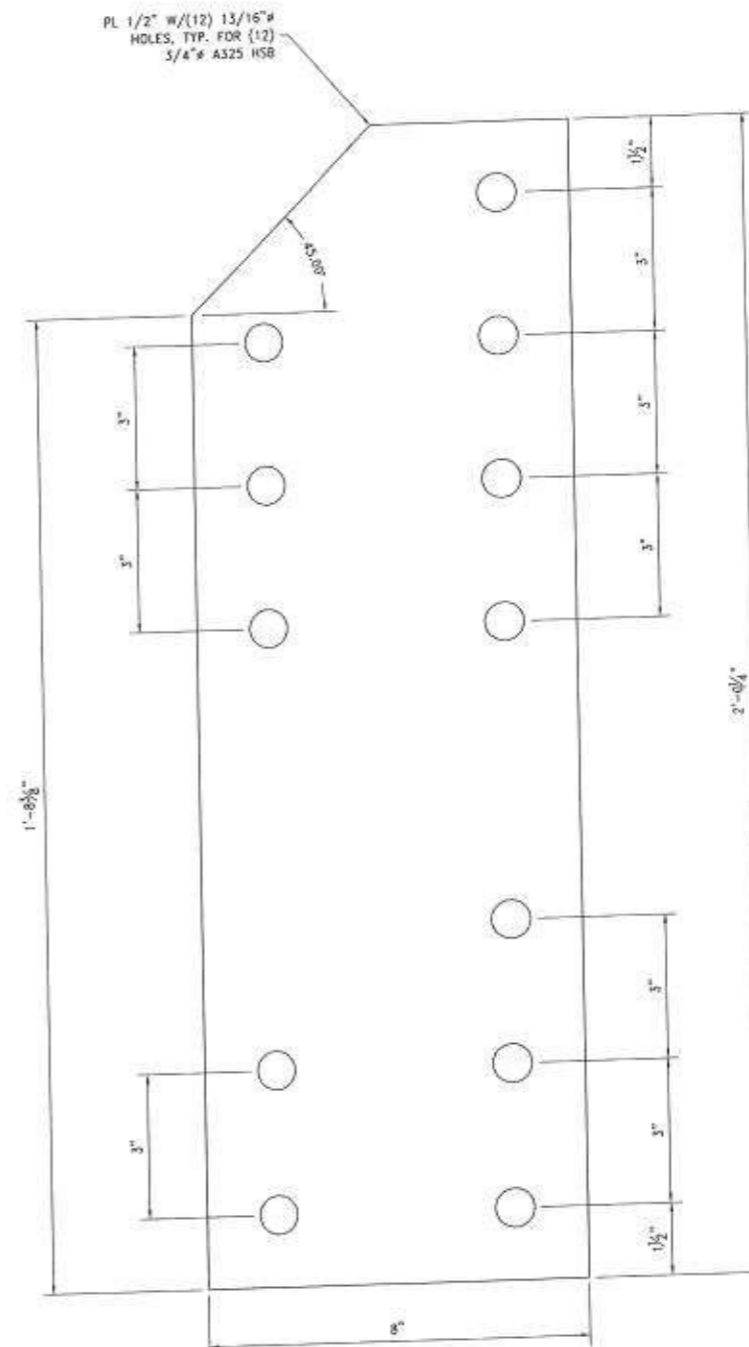


PLATE DETAIL
6"=1'-0"

FOR REFERENCE ONLY

REV.	DESCRIPTION	DATE	BY	CHK'D
0	ISSUED FOR CONSTRUCTION	10/30/12	BS	GDEC

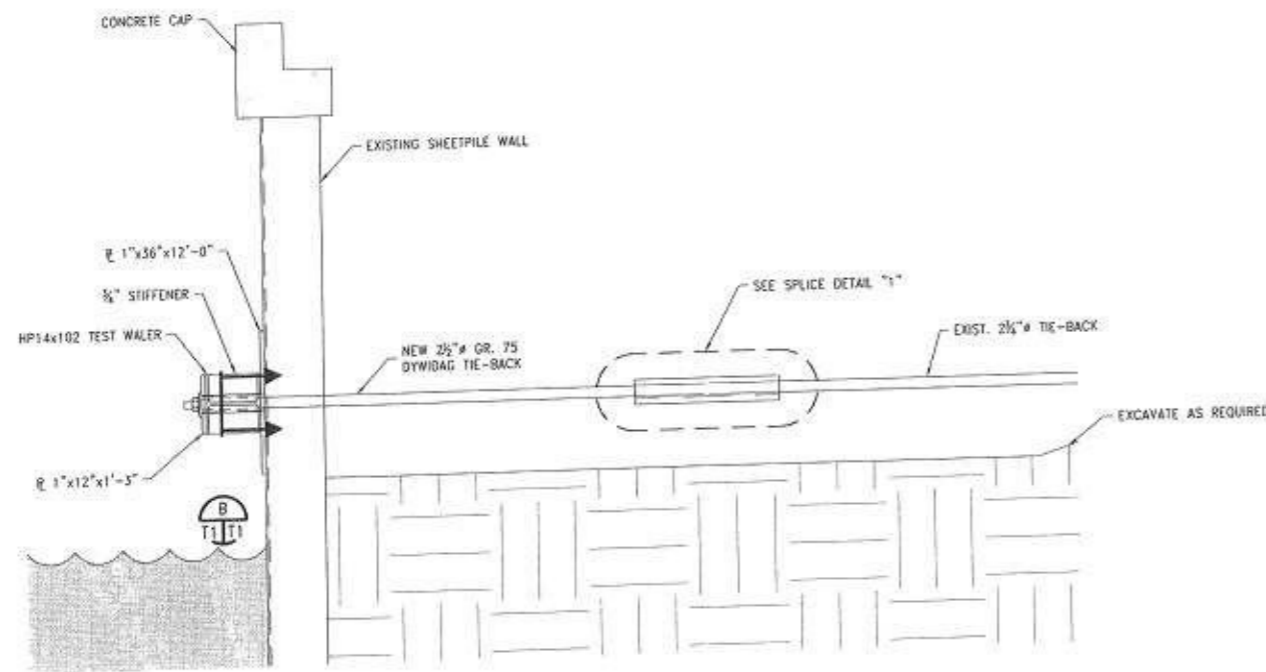
457 St. Michael St.
Mobile, AL 36602
Phone (251) 433-1611
Fax (251) 433-1411

Cowles, Murphy, Glover & ASSOCIATES
A Full Service Engineering Firm
PERFORMANCE • RELIABILITY • EXPERIENCE

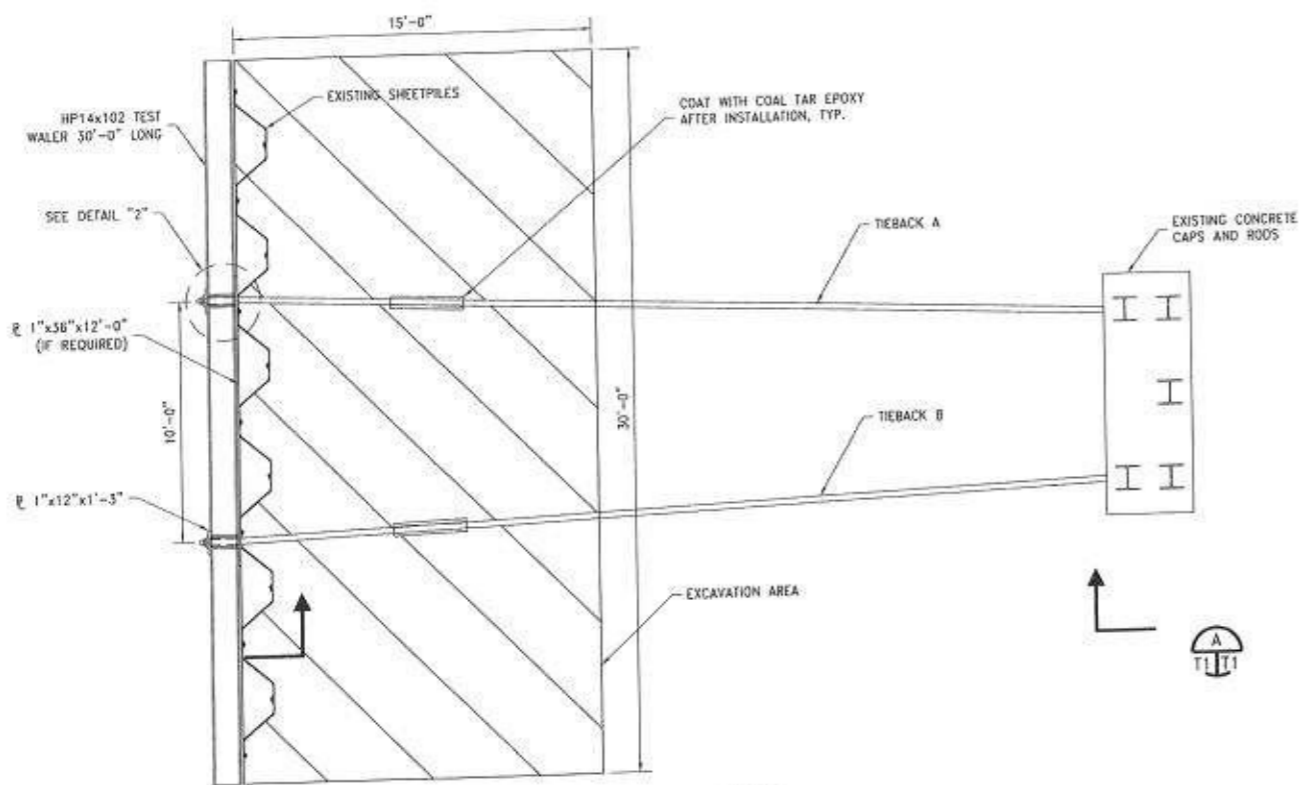
13 Thrash Rd.
LaGrange, GA 30241
Phone (706) 302-2831
Fax (251) 433-1411

PROJECT
BLUE CREEK COAL TERMINAL
MOBILE, ALABAMA

TITLE SHEET PILE DETAILS				
SCALE AS NOTED	DRAWN BY PWT	DATE 10/25/2012	SHEET -- of --	REV. 0
JOB NO. 1800	CHECKED BY GDEC	DATE 10/25/2012	DRAWING NUMBER 1800-SP-S9A	



SECTION A
1/2"=1'-0"



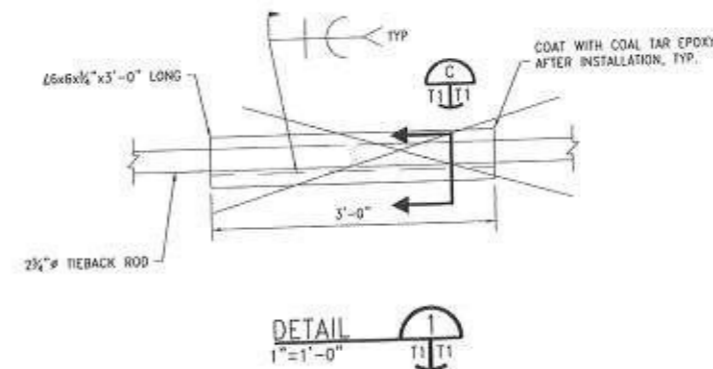
TIE-BACK TEST
PLAN VIEW
1/4"=1'-0"

TIEBACK TESTING PREPARATION

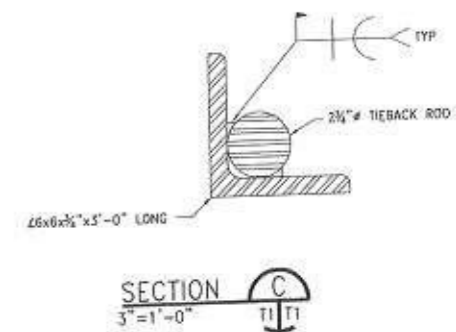
1. EXCAVATE BEHIND SHEETPILE WALL 20'-0", EXPOSING EXISTING TIEBACK RODS.
2. CUT EXISTING TIEBACKS APPROXIMATELY 8'-0" BEHIND WALL.
3. REMOVE EXISTING WALER.
4. WELD PLATE 1"x36"x12'-0" ALONG SHEETPILE WALL, CENTERED ON EXISTING WALER LOCATION.
5. INSTALL AND WELD NEW TEST WALER IN LOCATION OF EXISTING WALER.
6. CLEAN & PREP THE EXISTING TIEBACK RODS FOR WELDING.
7. WELD NEW TIEBACK RODS TO EXISTING TIEBACK RODS USING SPLICE DETAIL "1" SHOWN BELOW.
8. BOLT NEW TIEBACK RODS TO TEST WALER.

TIEBACK TESTING PROCEDURE

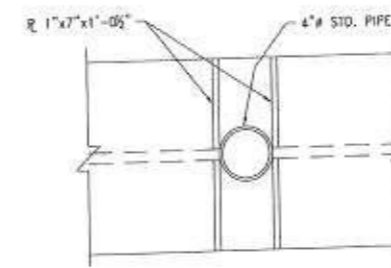
1. INSTALL HYDRAULIC JACKS ON EACH TIEBACK.
2. LOAD TIEBACK "A" UNTIL TIEBACK FAILURE OR 200 KIPS, RECORD FAILURE POINT.
3. REPAIR TIEBACK AS REQUIRED.
4. LOAD BOTH TIEBACKS "A" & "B" TO A FORCE OF 200 KIPS EACH, HOLD FOR 24 HOURS.
5. TESTING TO BE PERFORMED BY SOUTHERN EARTH SCIENCES, INC. FOR THE OWNER.



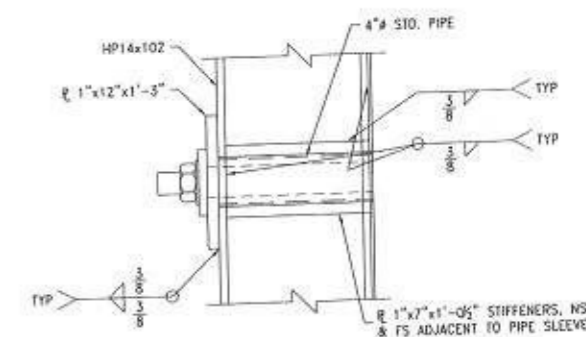
DETAIL 1
1"=1'-0"



SECTION C
3"=1'-0"



SECTION B
1-1/2"=1'-0"



DETAIL 2
1-1/2"=1'-0"

FOR REFERENCE ONLY

REV.	DESCRIPTION	DATE	BY	CHK'D
0	ISSUED FOR CONSTRUCTION	10/28/11	BLR	GDEC

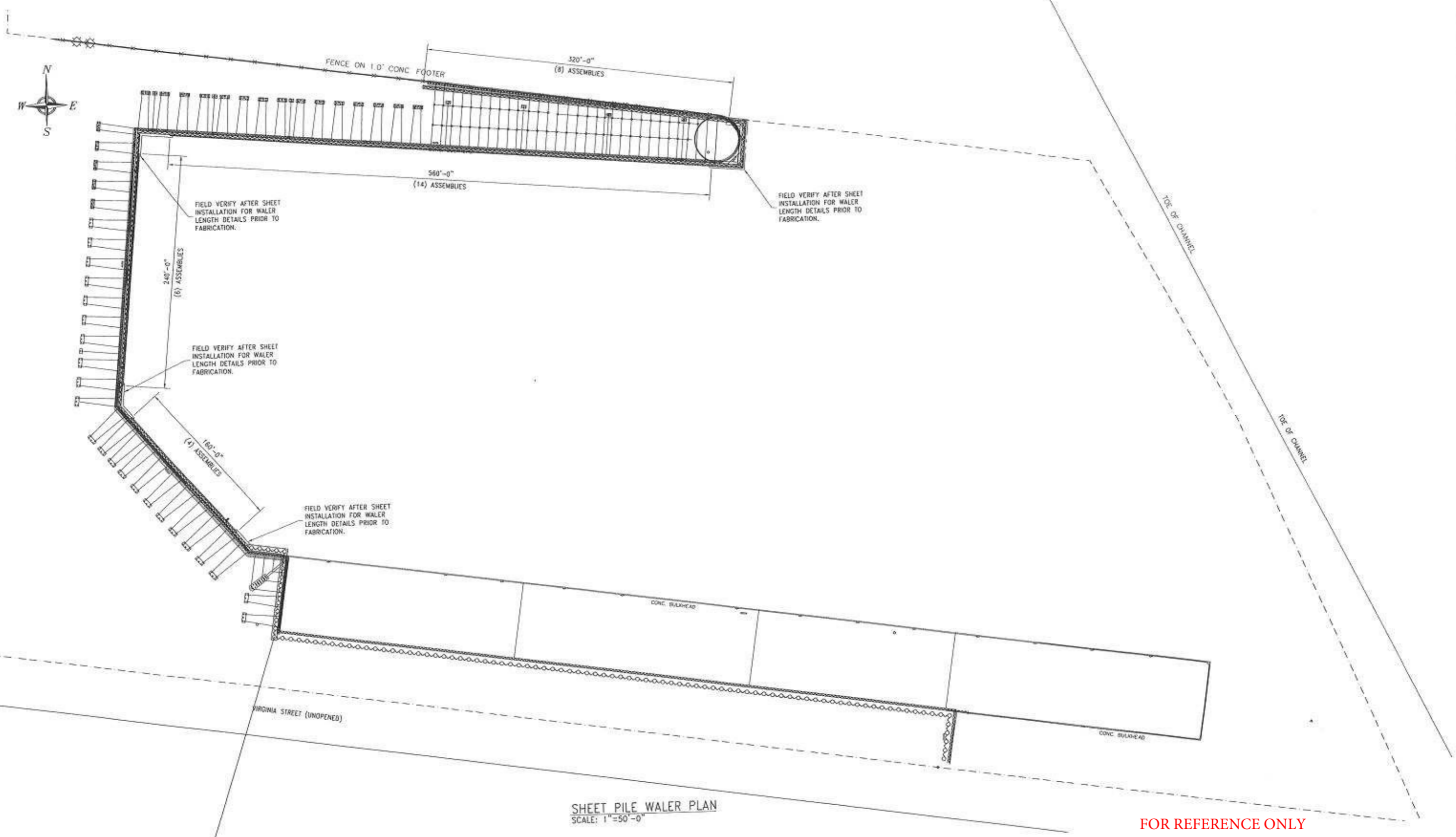
457 St. Michael St.
Mobile, AL 36602
Phone (251) 433-1611
Fax (251) 433-1411

Cowles, Murphy, Glover & ASSOCIATES
A Full Service Engineering Firm
PERFORMANCE • RELIABILITY • EXPERIENCE

13 Thrash Rd.
LaGrange, GA 30241
Phone (706) 302-2831
Fax (251) 433-1411

PROJECT
BLUE CREEK COAL TERMINAL
MOBILE ALABAMA

TITLE				
TIEBACK TEST PLAN				
SCALE	DRAWN BY	DATE	SHEET	REV.
NOTED	BLR	10/17/11	— of —	0
JOB NO.	CHECKED BY	DATE	DRAWING NUMBER	
1800	GDEC	10/21/11	1800-SP-T1	



SHEET PILE WALER PLAN
SCALE: 1"=50'-0"

FOR REFERENCE ONLY

457 St. Michael St. Mobile, AL 36602 Phone (251) 433-1611 Fax (251) 433-1411		Cowles, Murphy, Glover & ASSOCIATES <i>A Full Service Engineering Firm</i> PERFORMANCE • RELIABILITY • EXPERIENCE		13 Thrash Rd. LaGrange, GA 30241 Phone (706) 302-2831 Fax (251) 433-1411		PROJECT BLUE CREEK COAL TERMINAL MOBILE, ALABAMA		TITLE SHEET PILE WALER PLAN					
A ISSUED FOR REVIEW REV. DESCRIPTION		05/07/12 DATE	RCC BY	GDEC CHK'D	SCALE AS NOTED	DRAWN BY RCC	DATE 05/07/12	SHEET 22 of 24	JOB NO. 1800	CHECKED BY GDEC	DATE 05/07/12	DRAWING NUMBER 1800-SP-WE1	REV. A

