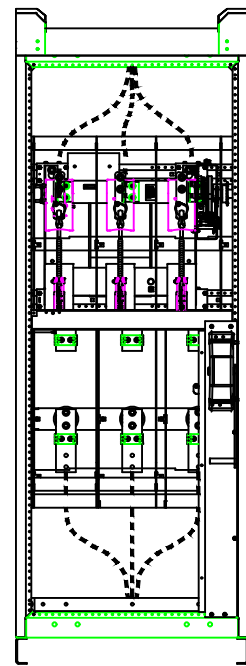
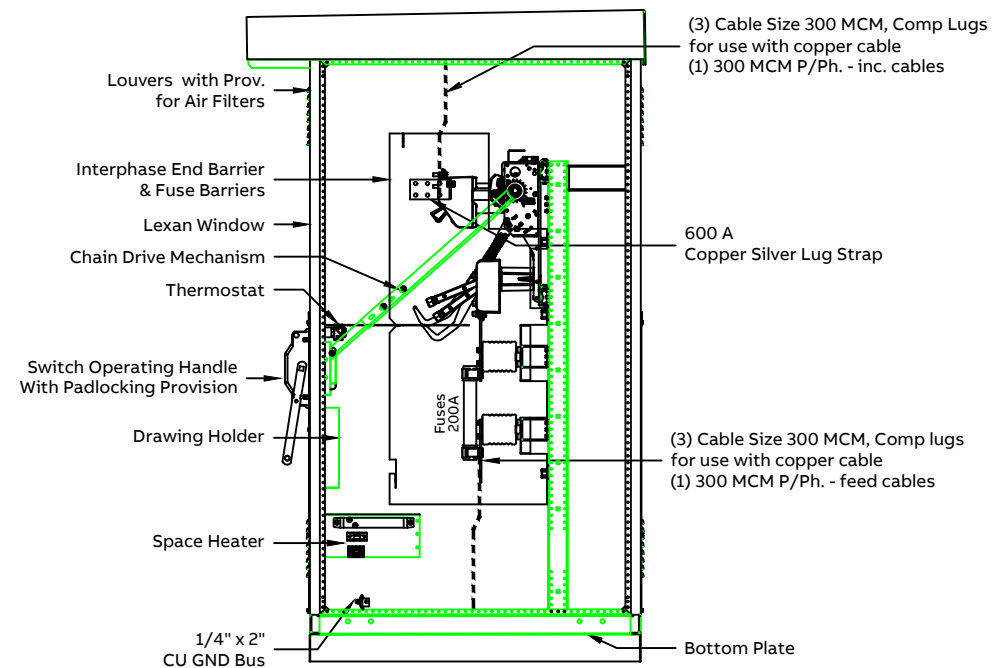


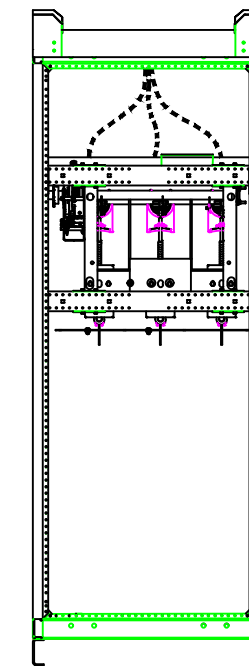
Enclosure Front Top View



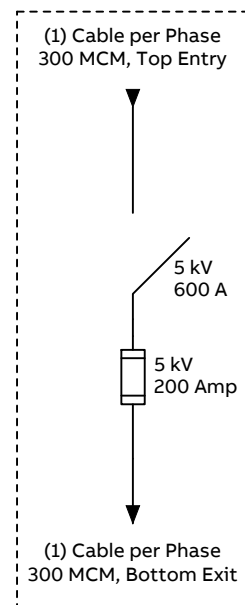
Front View w/o Covers



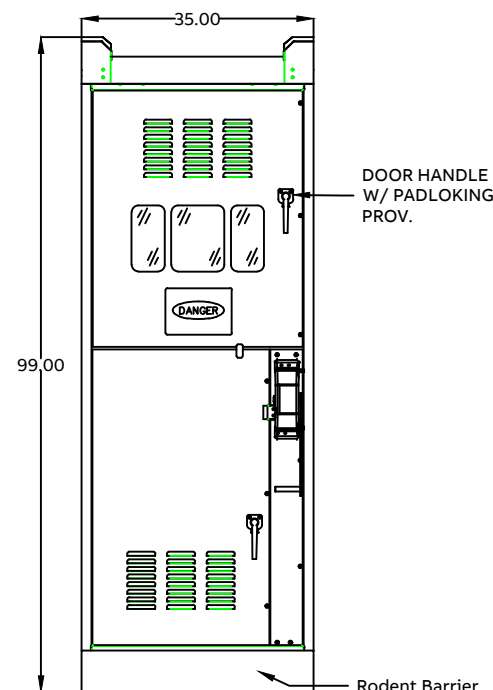
Right View w/o Covers



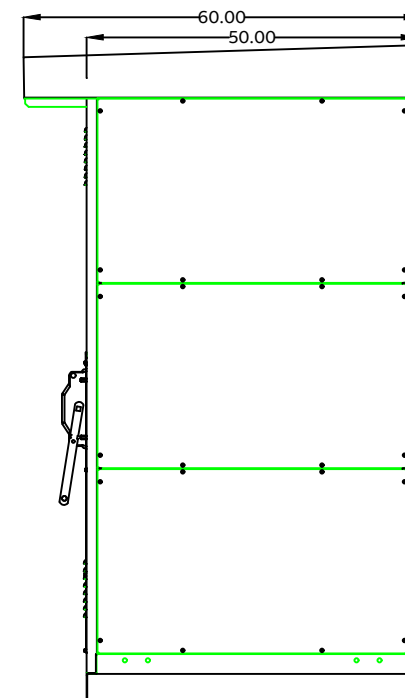
Rear View w/o Covers



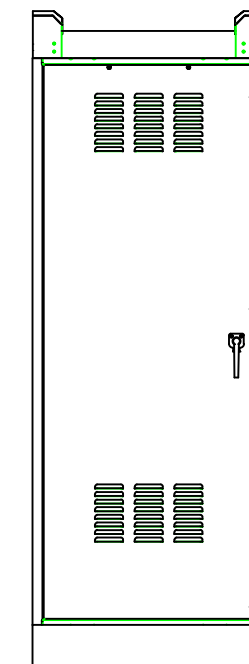
Single Line Diagram



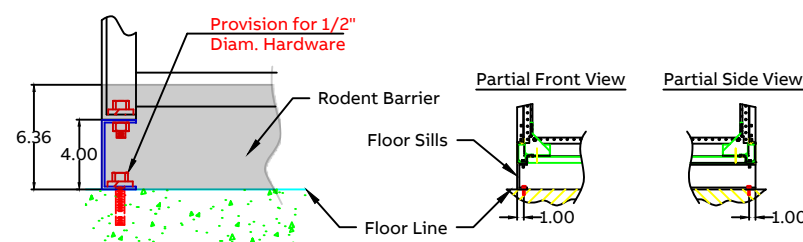
Front View



Right View



Rear View



Fastening Floor Detail



TAMPERPROOF HARDWARE

Title: General Arrangement			
Voltage: 5 kV	Item (s): 10	Job Name: STATE DOCKS SWITCHBOARD and MAIN SWITCH	
Bus Amp: 600 A	Service: 3Ph / 3W	Access: Front & Rear	Accessories: N/A
Designed: PMN	Approved: ABN	Area: LIS Eng.	Marks: N/A
Date: 07/16/24	Date: 07/16/24	Language: English	UL Label: UL Label

#	Revision	Revision Date	Approval Date
0	Record Drawings	PMN 07/16/24	ABN 07/16/24



BreakMaster
Medium Voltage
Load Interrupter Switch

Order No. 153376069	UL US
Collective No. 0626134054	
Plant: ABB Monterrey	Acot. in
Esc: Sheet: 1 of 2	Rev: 0

The information contained in this document has to be kept strictly confidential. Any unauthorized use, reproduction, distribution or disclosure to third parties is strictly forbidden. ABB reserves all rights regarding Intellectual Property Rights. © Copyright 2017 ABB. All right reserved.

Important:

DRAWINGS ARE INTENDED TO BE IN ACCORDANCE WITH APPLICABLE PURCHASE ORDER SPECIFICATIONS. UNIT(S) UNDER THIS REQUISITION WILL BE MANUFACTURED EXACTLY AS SHOWN IN THESE FILES. IF THESE DRAWINGS DO NOT MEET CUSTOMER NEEDS YOUR IMMEDIATE RESPONSE IS REQUIRED. FEATURES NOT COVERED BY THE PURCHASE ORDER SPECIFICATIONS WILL BE IN ACCORDANCE WITH ABB STANDARD DESIGN PRACTICES. PURCHASER'S CHANGES WILL REQUIRE EXTRA ENGINEERING, DRAFTING OR MODIFICATION OF MATERIAL AND CONSTRUCTION FOR WHICH ADDITIONAL CHARGES WILL BE MADE. THESE CHANGES MAY ALSO EXTEND SHIPMENT. TO FACILITATE ENGINEERING AND EXPEDITE MANUFACTURING, ANY CHANGES AND/OR CORRECTIONS SHOULD BE MARKED ON DRAWINGS.



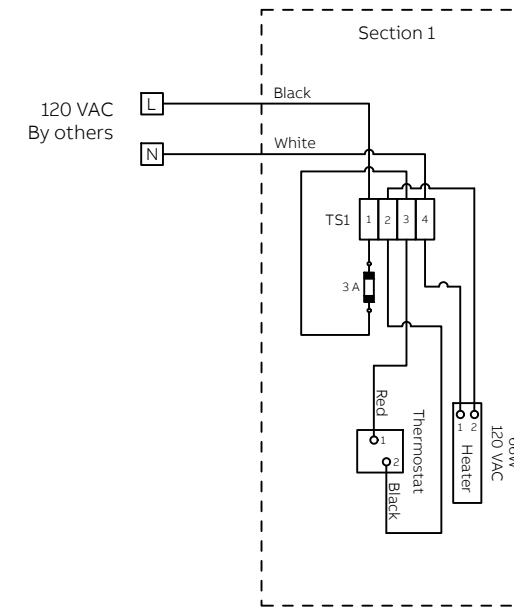
Collective Number	0626134054
Factory Order No.	153376069
Switch Serial No.	See Unit
Manufacture Date	See Unit

Rated Maximum Voltage	kV	4.76
Impulse Withstand (BIL)	kV	60
Norm. Freq. Withstand	kV	19
Frequency	Hz	60
Continuous Current	A Sym	600
Load Interrupting Current	A Sym	600
Momentary Current	kA Asym	40
Short Time - Current	kA Sym	25
- Time	Sec	2
Fault Closing Current	kA Asym	40

Fuse Rating	A	200
Fuse Catalog No.		9F62DCB200
Integrated Switch And	kA Asym	600
Fuse Short Circuit Current		

Main Bus Ampacity	A	N/A
Main Bus Bracing	kA Asym	N/A
Enclosure Type	Category B	OUTDOOR (N3R)

BREAKMASTER LOAD INTERRUPTER SWITCH



Space Heater Diagram

Note:

All wiring to be #14 AWG 90°C except wires that connect to the heater. Use #14 AWG 600 V, 250°C Teflon wire for connection to heater terminals.

Title: RATING LABEL			
Voltage: 5 kV	Item (s): 10	Job Name: STATE DOCKS SWITCHBOARD and MAIN SWITCH	
Bus Amp: 600 A	Service: 3Ph / 3W	Access: Front & Rear	Accessories: N/A
Designed: PMN	Approved: ABN	Area: LIS Eng.	Marks: N/A
Date: 07/16/24	Date: 07/16/24	Language: English	UL Label: UL Label

#	Revision	Revision Date	Approval Date
0	Record Drawings	PMN 07/16/24	ABN 07/16/24



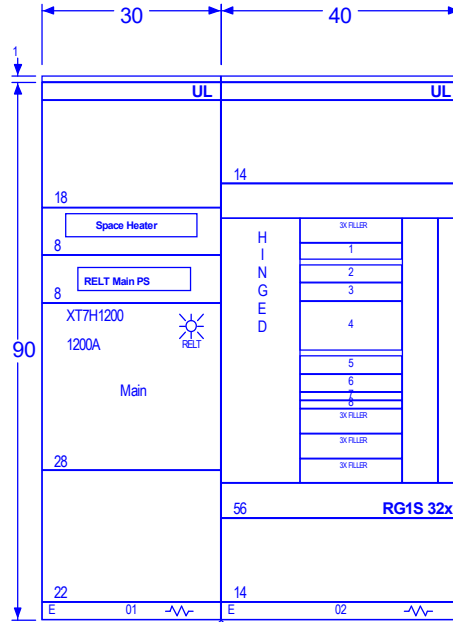
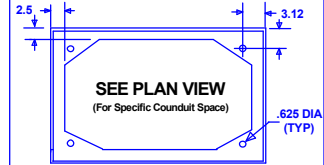
**BreakMaster
Medium Voltage
Load Interrupter Switch**

Order No. 153376069	
Collective No. 0626134054	
Plant: ABB Monterrey	Acot. in
Esc:	Sheet: 2 of 2
Rev: 0	

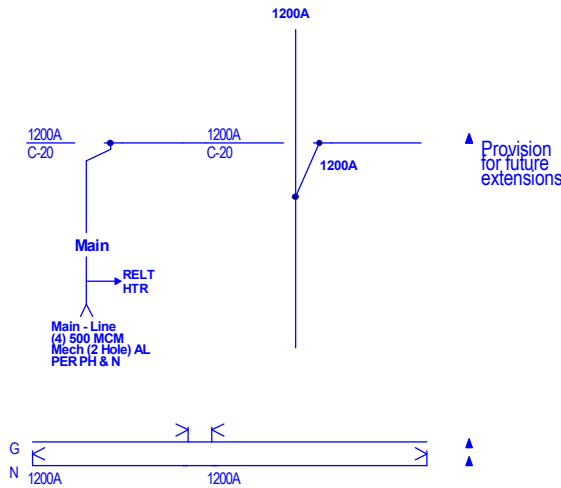
The information contained in this document has to be kept strictly confidential. Any unauthorized use, reproduction, distribution or disclosure to third parties is strictly forbidden. ABB reserves all rights regarding Intellectual Property Rights. © Copyright 2017 ABB. All right reserved.



ACCESS TO: Front Only	PHASE: 3P4W
CLASS: 2	AMPERE: 1200
LABEL: U/L	BUS MTL: Cu 1000A / in ²
VOLTAGE: 480Y/277V	PLATE: Silver Plate
STYLE: ReliaGear	RATING: Fully
BUS BRACING (RMS SYM)	65000 A
DEV. MIN. INT. RATING (RMS SYM)	65000 A
Total Line Up Width 70	



Front View



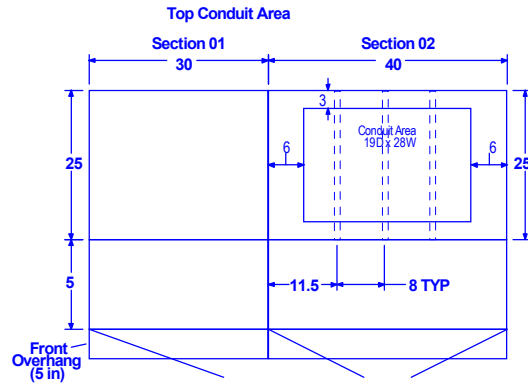
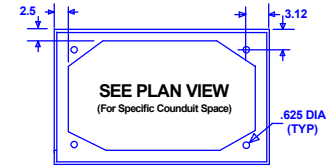
Bussing Diagram

JOB NAME: STATE DOCKS SWITCHBOARD and MAIN SW 1400 ALABAMA STATE DOCKS BLVD MOBILE, AL		CUSTOMER: SOUTHERN CONTROLS INC, MOBILE		PLANT: MONTERREY		MARK: SWITCHBOARD	
MADE BY: Anant	ISSUED: 07/09/2024	CUST. ORDER NO:				153376069	
REL BY: AH		REQN. NO: 0626134054		R	07/09/24	Release for manufacturing AH	
		ORDER NO: 153376069		NO	DATE	REVISIONS	INITIALS
						SHEET 20-FV1	ITEM 20

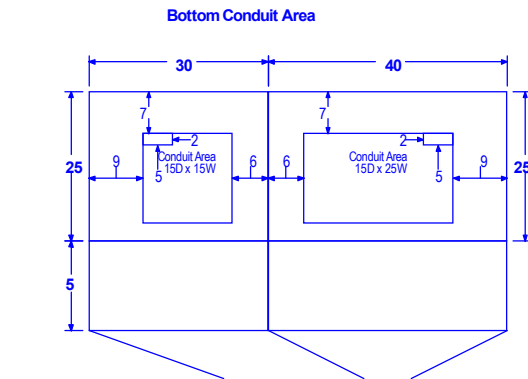


All ribs shown are 1" wide.
Contractor to visually inspect roof brace locations before installing any top conduits.

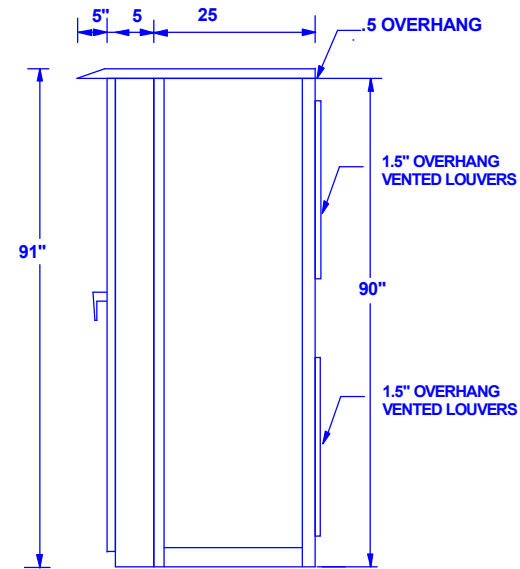
Conduit Detail



Front Plan View



Front Plan View

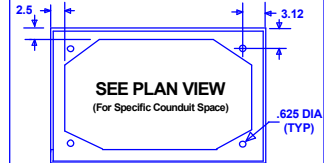


SIDE VIEW

JOB NAME: STATE DOCKS SWITCHBOARD and MAIN SW 1400 ALABAMA STATE DOCKS BLVD MOBILE, AL		CUSTOMER: SOUTHERN CONTROLS INC, MOBILE		PLANT: MONTERREY		MARK: SWITCHBOARD	
MADE BY: Anant	ISSUED: 07/09/2024	CUST. ORDER NO:				153376069	
REL BY: AH		REQN. NO: 0626134054	R	07/09/24	Release for manufacturing	AH	
		ORDER NO: 153376069	NO	DATE	REVISIONS	INITIALS	SHEET 20-CD1 ITEM 20



ACCESS TO: Front Only	PHASE: 3P4W
CLASS: 2	AMPERE: 1200
LABEL: U/L	BUS MTL: Cu 1000A / in ²
VOLTAGE: 480Y/277V	PLATE: Silver Plate
STYLE: ReliaGear	RATING: Fully
BUS BRACING (RMS SYM)	65000 A
DEV. MIN. INT. RATING (RMS SYM)	65000 A
Total Line Up Width 70	



Switchboard/Device Information

Circuit No.	Device	Amps	Poles	Nameplates	Lugs	Notes
Main	XT7H1200	1200	3			8,9,10,18
1	FBN6	20	2		Al #14 - #10 AWG	19
2	XT1H125	20	3		Al (1) #10 - 2/0 AWG Cu Cbl	13
3	XT1H125	60	3		Al (1) #10 - 2/0 AWG Cu Cbl	13
4	XT6H800	800	3		Al (3) 2/0 - 400 MCM Cu Cbl	14
5	XT1H125	110	3		Al (1) #10 - 2/0 AWG Cu Cbl	13,15
6	XT1H125	40	3		Al (1) #10 - 2/0 AWG Cu Cbl	13
7	FBN6	40	1		Al #10 - #4 AWG	16,20
8	FBN6	20	1		Al #14 - #10 AWG	21

NOTES:

- 1 Switchboard furnished with a rainproof TYPE 3R Flatroof (non walk-in) enclosure.
- 2 Listed NEMA 3R rated Hub and Conduit should be used to maintain environmental integrity of the enclosure.
- 3 Copper ground bus furnished.
- 4 Equipment ground bus furnished with lugs.
- 5 Switchboard furnished with Nameplates.
- 6 Shipping splits between each section, ship each section separately.
- 7 Switchboard furnished with bottom floor plates.
- 8 Device furnished with EKIP Touch (LSI) programmer.
- 9 Device furnished with RELT. Wire Per RELT INDIVIDUAL EKIP.
- 10 Device furnished with EKIP 24VDC Supply.
- 11 Space heater control power circuit wired per sheet 10087742 Sheet 2.
- 12 Switchboard furnished with hinged gutter covers.
- 13 Device furnished with TMF programmer.
- 14 Device furnished with TMA programmer.
- 15 Device programmer LT target set @ 0.88 for 110A trip.
- 16 Device programmer LT target set @ 0.4 for 40A trip.
- 17 Provision For Future Extension.
- 18 Device furnished with EKIP RELT Signalling.
- 19 Circuit connected to phase AB.
- 20 Circuit connected to phase C.
- 21 Circuit connected to phase A.

JOB NAME: STATE DOCKS SWITCHBOARD and MAIN SW 1400 ALABAMA STATE DOCKS BLVD MOBILE, AL		CUSTOMER: SOUTHERN CONTROLS INC, MOBILE		PLANT: MONTERREY		MARK: SWITCHBOARD		
MADE BY: Anant	ISSUED: 07/09/2024	CUST. ORDER NO:				153376069		
REL BY: AH		REQN. NO: 0626134054	R	07/09/24	Release for manufacturing			AH
		ORDER NO: 153376069	NO	DATE	REVISIONS			INITIALS
						SHEET 20-DS1	ITEM 20	

PANEL MARKS: SL-1P

TECHNICAL SPECIFICATIONS

PANEL TYPE:	RE PANELBOARD
QUANTITY:	1
AMPS:	125A
VOLTAGE:	480Y/277V
SYSTEM:	3P4W
KAIC:	14 KAIC SC FULLY RATED
MATERIAL:	COPPER BUS
PLATE:	NO PLATE
ENCLOSURE:	NEMA 3R CABINETS
MOUNTING:	SURFACE
SECTION:	1

MAIN DISCONNECT DEVICE

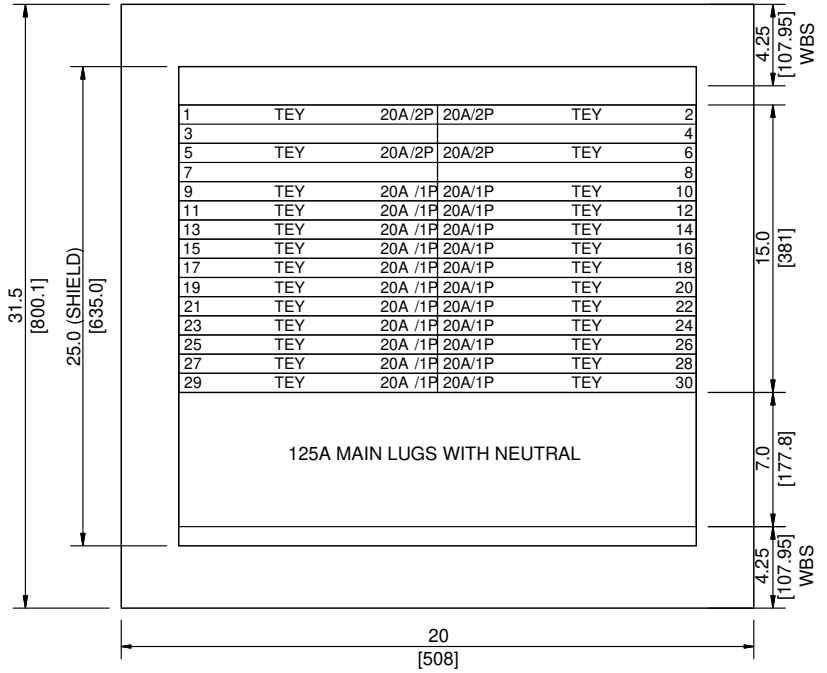
FEED DIR.	Bottom
TYPE:	Lugs
AMPS/SENSOR:	125A/-
CATALOG NO.:	
POLES:	3
LUGS:	1-lug/phase 1-cable/lug #14 -2/0

OPTIONS INCLUDED

QTY	DESCRIPTION
1	Copper Bus Heat Rated
3	Ground-Box bonded TGL2
1	Ground main lug TGL20

BRANCH DEVICES

QTY	AMPS/SENSOR/POLES	DESCRIPTION
22	20A /- / 1P	TEY120
4	20A /- / 2P	TEY220



PANEL INFORMATION	
INTERIOR	AEF3301MBX AXB7
INTERIOR	
BOX	AB313
FRONT	NONE
TROUGH	
TROUGH END	
PULL BOX	
DIMENSIONS	31.5"X20"X6.21"

1. WBS - WIRE BENDING SPACE.
2. DRAWING NOT TO SCALE.
3. DIMENSIONS ARE IN INCHES[mm].

FACTORY AUTO-LAYOUT. THE LAYOUT IS NOT SPECIFIED, THE FACTORY MAY CHANGE THE LOCATION OF SOME OF THE BREAKERS.

PROJECT NAME: STATE DOCKS SWITCHBOARDS and MAIN SWITCH	PANEL ID: RE Panelboard	PRODUCT NAME: ORIGINAL VERSION / UJI	DRAWING NO: 3
CUSTOMER: SOUTHERN CONTROLS INC. MOBILE	APPROVED BY: DATE: 05/09/2024 19:38:46	PANELBOARD	MARKING: SL-1P
	REVISION NO.	QUOTE NO: UJI-00002936	SHEET: 1

PANEL MARKS:

2PP

TECHNICAL SPECIFICATIONS

PANEL TYPE:	RQ PANELBOARD
QUANTITY:	1
AMPS:	125A
VOLTAGE:	120/240V
SYSTEM:	1P3W
KAIC:	10 KAIC SC FULLY RATED
MATERIAL:	COPPER BUS
PLATE:	NO PLATE
ENCLOSURE:	NEMA 3R CABINETS
MOUNTING:	SURFACE
SECTION:	1

MAIN DISCONNECT DEVICE

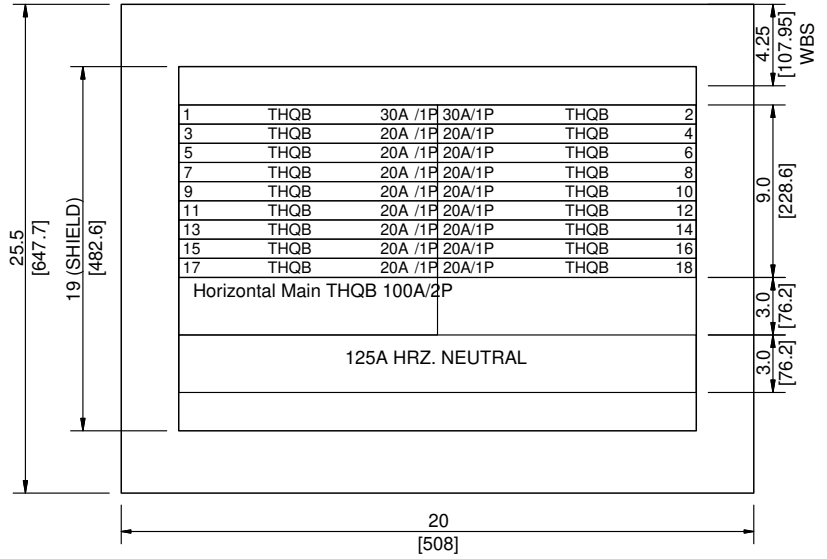
FEED DIR.:	Bottom
TYPE:	Breaker
AMPS/SENSOR:	100A/-
CATALOG NO.:	THQB22100
POLES:	2
LUGS:	1-lug/phase 1-cable/lug #14 -1/0

OPTIONS INCLUDED

QTY	DESCRIPTION
1	Copper Bus Heat Rated
2	Ground-Box bonded TGL2
1	Ground main lug TGL20

BRANCH DEVICES


QTY	AMPS/SENSOR/POLES	DESCRIPTION
2	30A /- /1P	THQB1130
16	20A /- /1P	THQB1120



PANEL INFORMATION	
INTERIOR	AQF1181ABX AXB7
INTERIOR	
BOX	AB253
FRONT	NONE
TROUGH	
TROUGH END	
PULL BOX	
DIMENSIONS	25.5"X20"X6.21"

1. WBS - WIRE BENDING SPACE.
2. DRAWING NOT TO SCALE.
3. DIMENSIONS ARE IN INCHES[mm].

FACTORY AUTO-LAYOUT. THE LAYOUT IS NOT SPECIFIED, THE FACTORY MAY CHANGE THE LOCATION OF SOME OF THE BREAKERS.

PROJECT NAME: STATE DOCKS SWITCHBOARD and MAIN SWITCH	PANEL ID: RQ Panelboard	PRODUCT NAME: RQ Panelboard	DRAWING NO: 00002936
CUSTOMER: SOUTHERN CONTROLS INC. MOBILE	APPROVED BY: [Signature]	DATE: 05/09/2024 19:38:46	ITERATION: 4
		REVISION NO.:	MARKING: 2PP
			QUOTE NO: UJI-00002936
			SHEET: 1